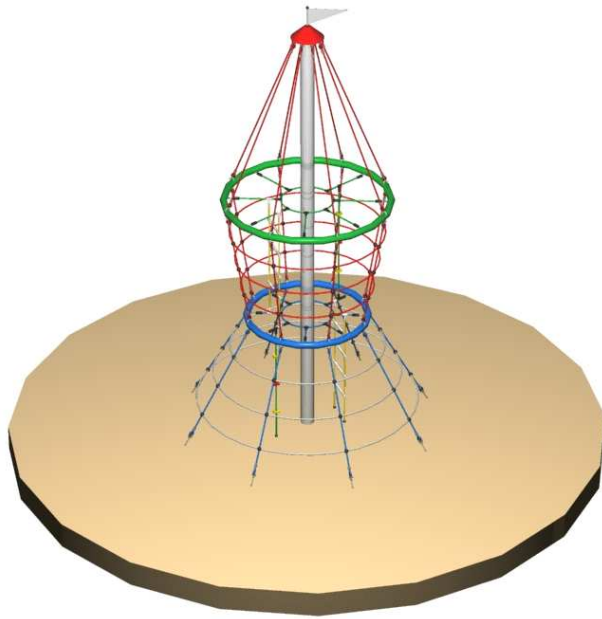


Netscapes

Blackbeards Ladder

PROD. CODE	Net - Blac
SIZE	5m x 3m
AGE RANGE	6 & Over
F/ FALL HEIGHT	3m
HEAVIEST PART	100 Kg
TOTAL WEIGHT	



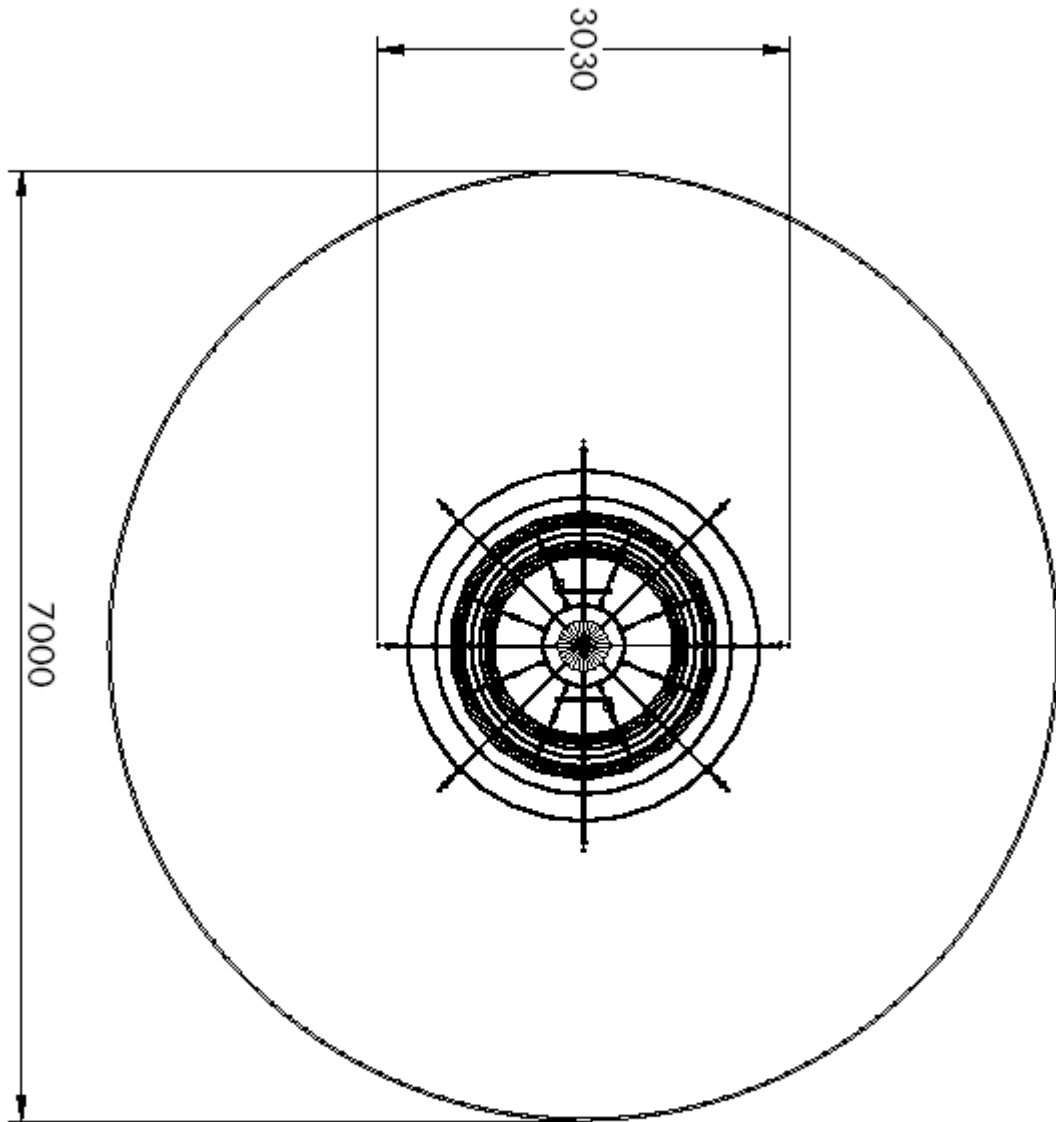
SPECIFICATION

Centre Upright: Made from stainless steel 6m x 193.7 diam
Net:
Fixings: All nuts and bolts are hot dipped galvanised or stainless steel
Rope Fixings: Made from aluminium
Weld:
Finish:

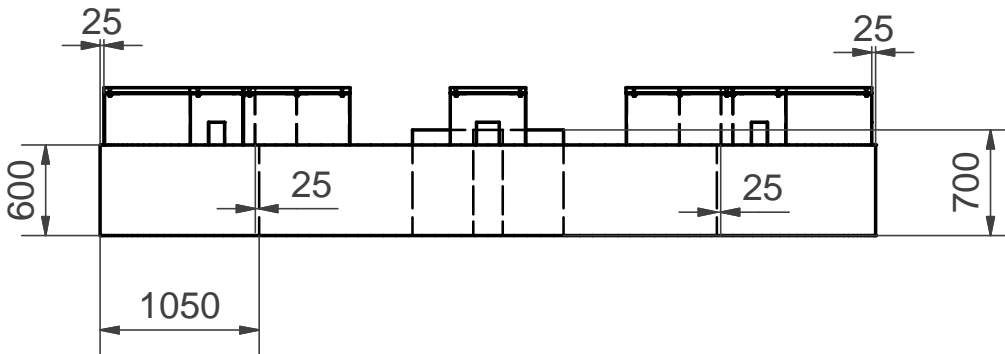
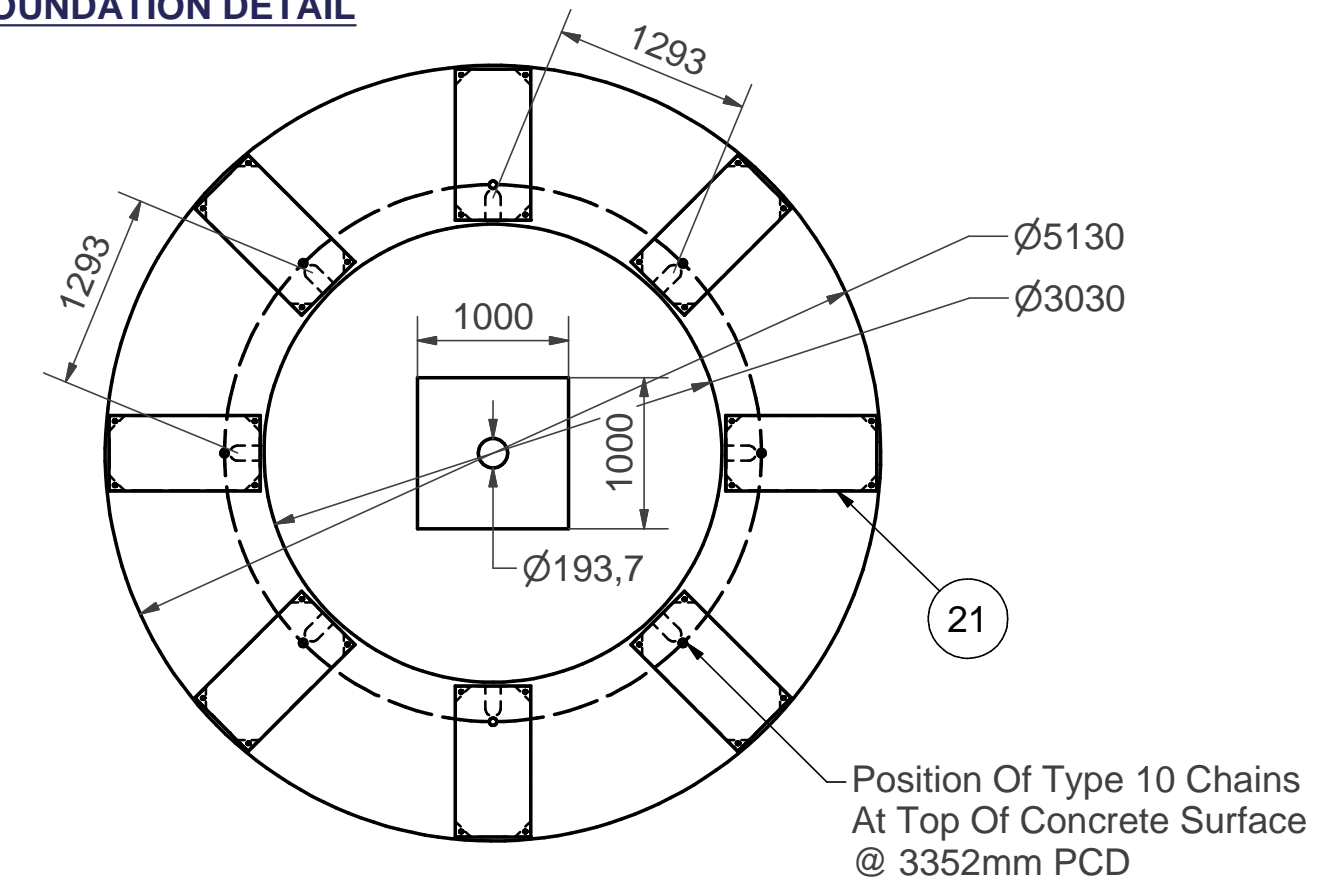
Note ENSURE ALL INSTALLATION AIDS ARE REMOVED BEFORE FIRST USE

Surfacing Details

38.5 SQ metres of 130mm Wetpour Surfacing
22m of Wetpour edging

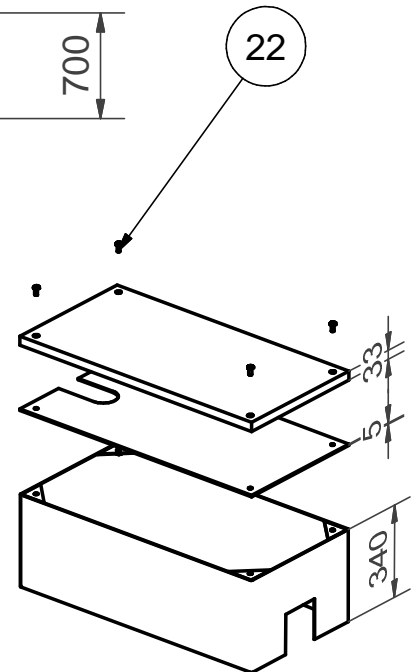


FOUNDATION DETAIL

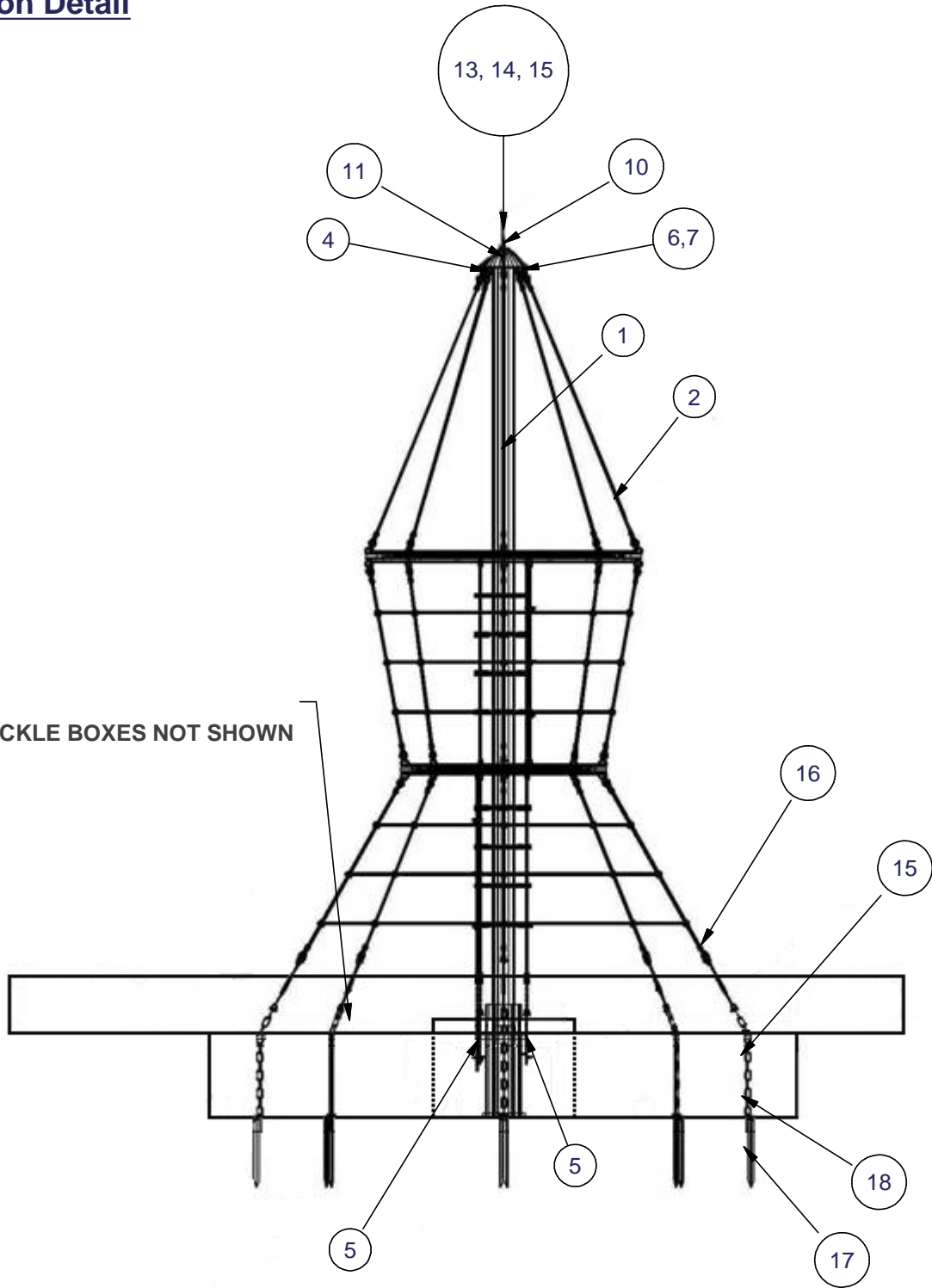


NOTE:

Turnbuckle Boxes To Be Spaced Out Equally
 Maintaining The 25mm From Front Face
 And Back Face Of Concrete Foundations

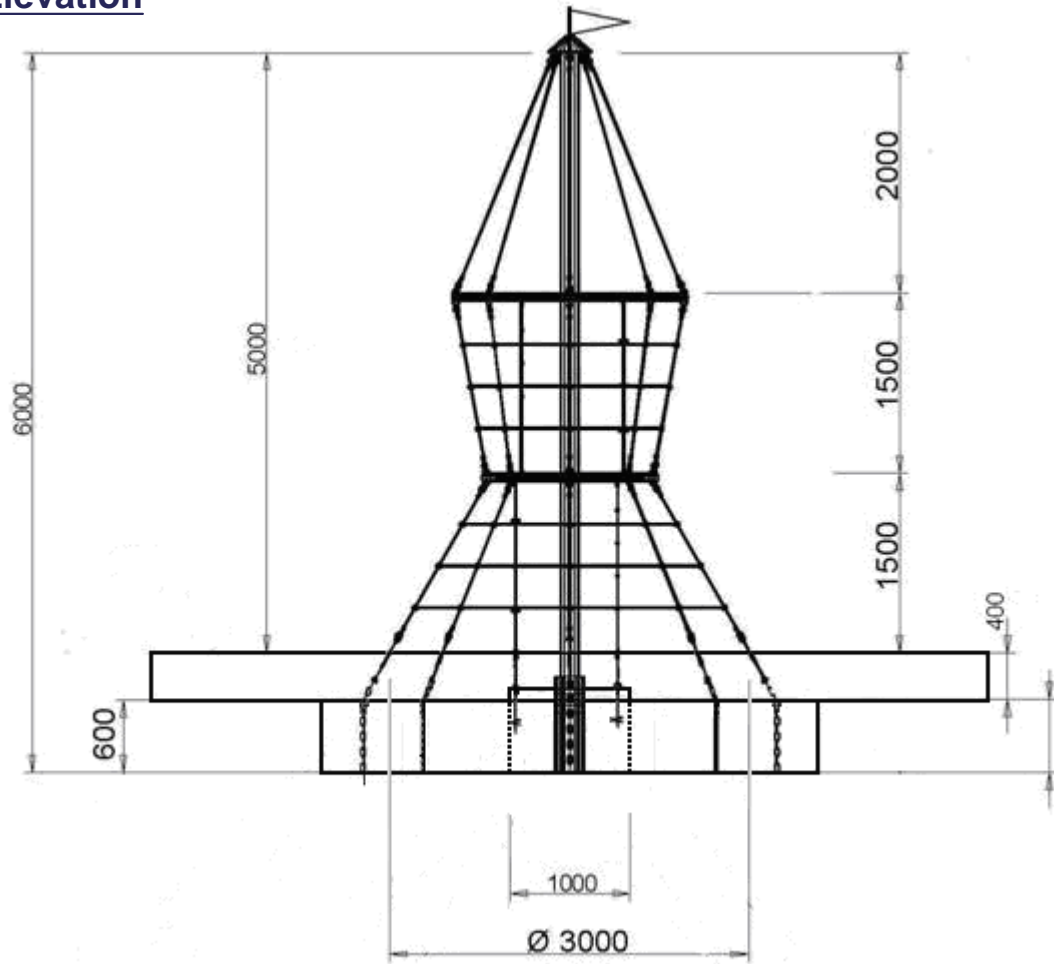


Elevation Detail

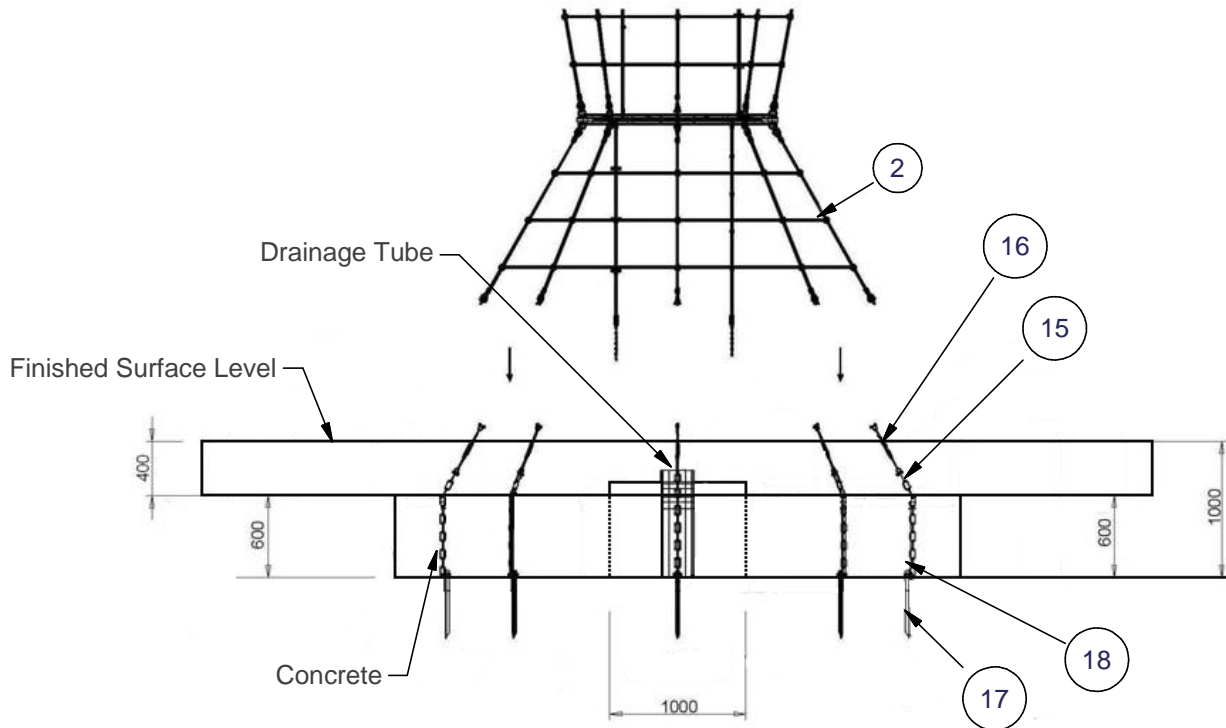


NOTE:
TURNBUCKLE BOXES NOT SHOWN

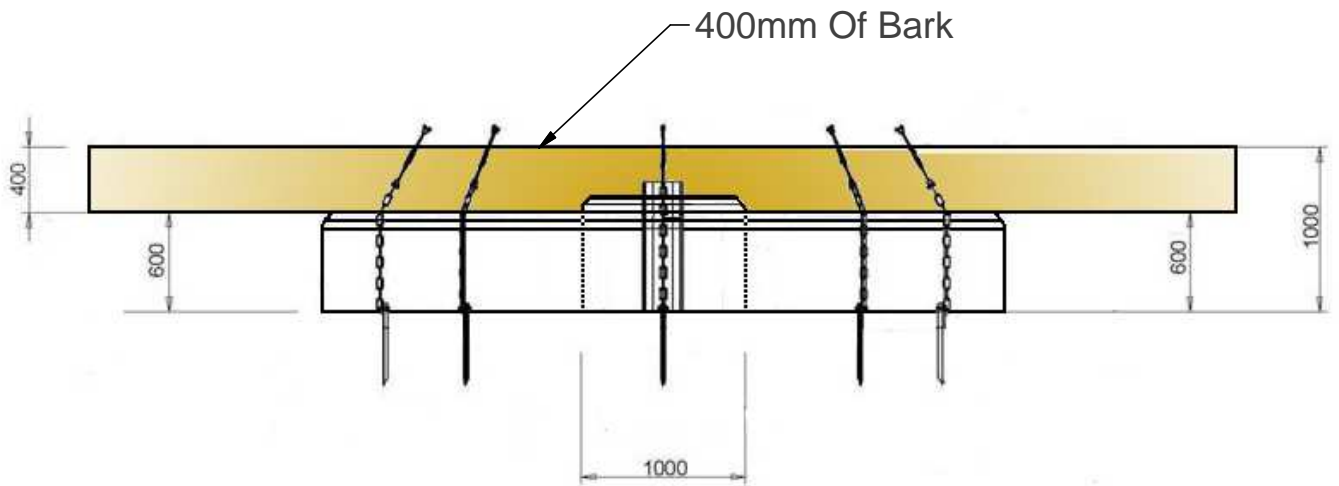
Side Elevation



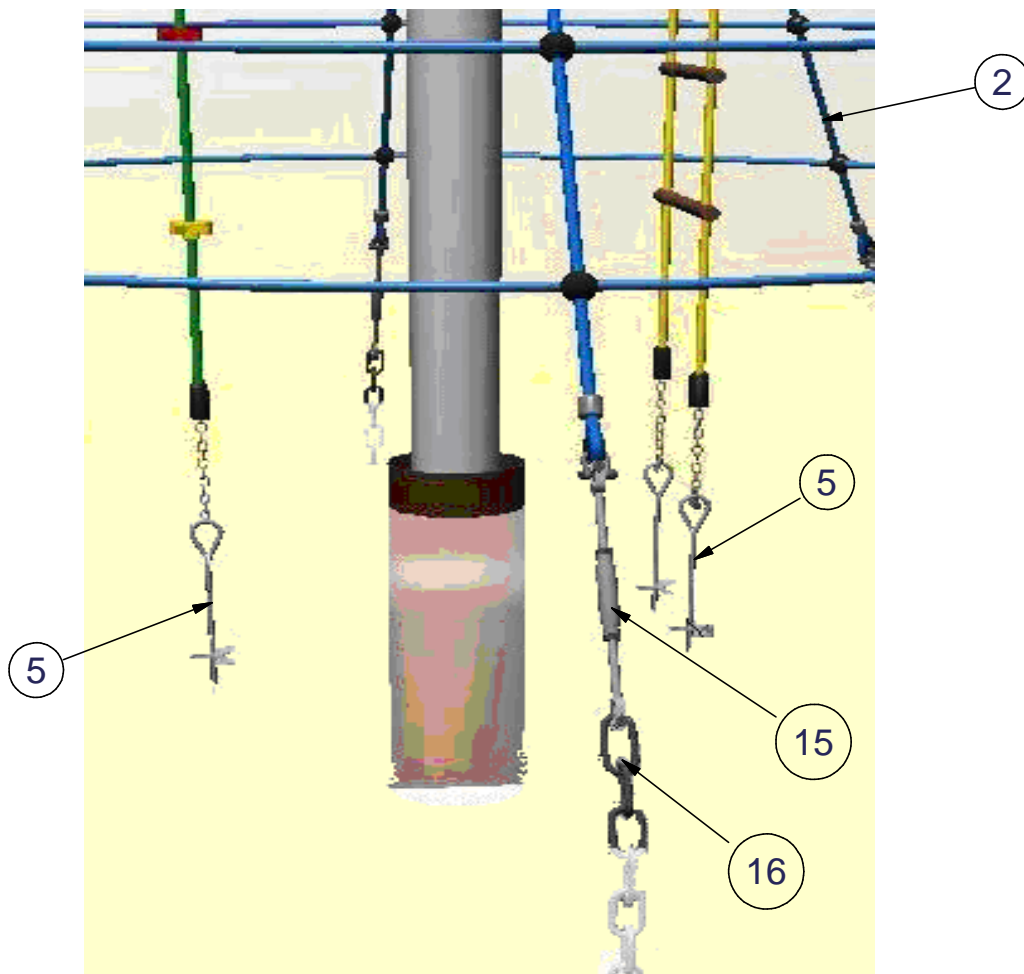
Net Fixing To Foundation Detail



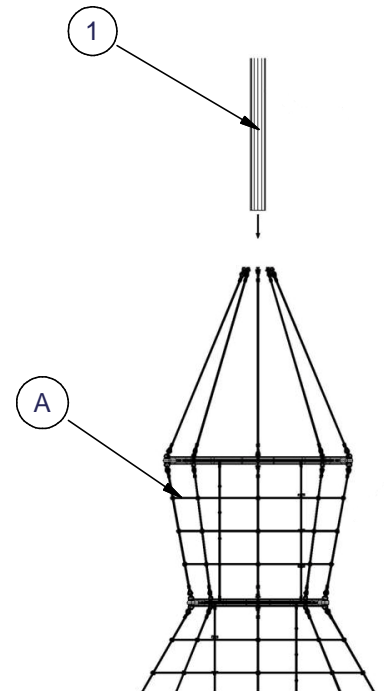
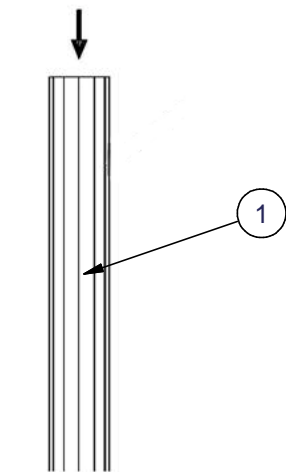
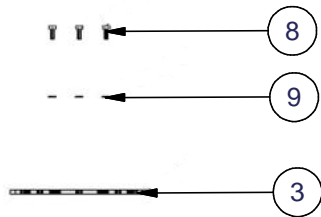
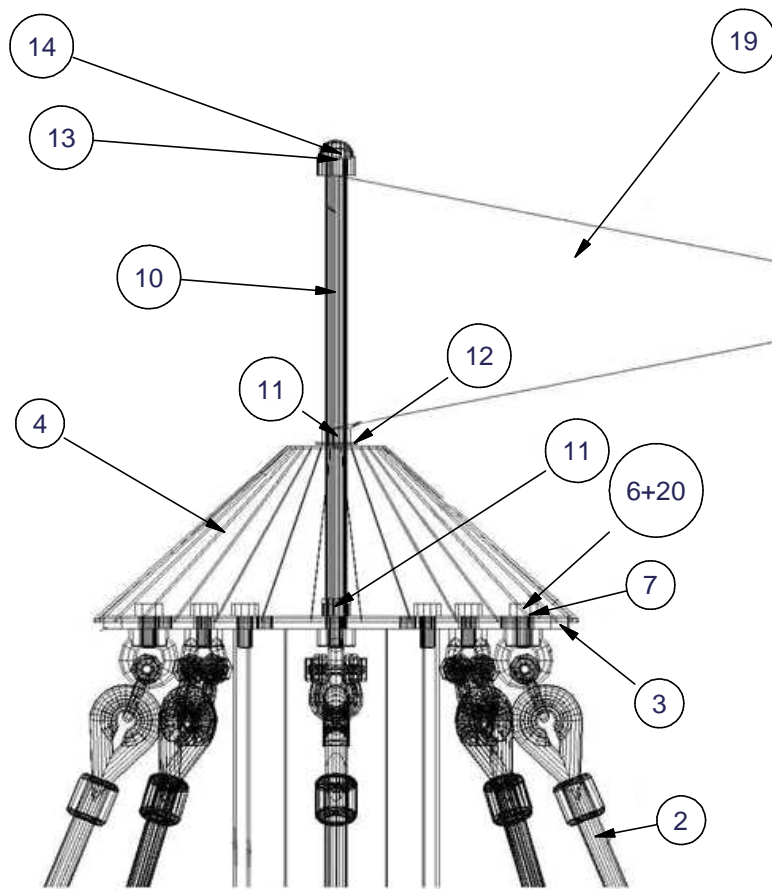
Bark Fix Detail



Turnbuckle & Ground Anchor Detail



Top Cap - Flag Fixing Detail



PARTS LIST

ITEM	QTY	PART NUMBER	DESCRIPTION
1	1		Main Steel Pole
2	1		Pre Assembled Net
3	1		Top Plate For Steel Pole
4	1		Cap Dino Red
5	3		Screw In Anchors
6	8		M16 x 30 Hex Bolts
7	8		M16 Tooth Washers
8	4		M12 x 30 Hex Bolts
9	4		M12 Tooth Washers
10	1		Threaded Bolt M16x165
11	2		M16 Hexagon Nut
12	1		M16 Washer
13	1		M16 Nut
14	1		M16 Black Nut Cover
15	8		Type 10 Chains Galvanised 1.10m
16	8		M12 Turnbuckles Galvanised
17	8		Pegs
18	1		Curved Type- 10 VN Shackles
19	1		Flag
20	1		Loctite
21	8	4201-458	Box Assembly
22	64	2176-126	M10 x 25 Pent Button Head

COMPILED TE	REV	New	1	2					
	ECN	1574	minor	Minor					
DATE: 27/11/08	SIG.	TE	TE	MC					
	DATE:	27/11/08	24/11/09	18/01/19					

NET-BLAC

7 Of 8

