

| ROCKERPLAY | |
|---------------------------------|---------------------|
| SPRING MOBILE MOTORCYCLE | |
| PROD CODE: | 6060-028 |
| SIZE: | 0.86 x 0.83 x 0.53m |
| AGE RANGE: | 2 – 5 Years |
| FREE FALL HEIGHT: | 0.57m |
| WEIGHT OF HEAVIEST PART | 26 Kg |
| OVERALL WEIGHT OF UNIT | 57 Kg |

| DELIVERY LIST | | |
|----------------------|------------------------------|-----|
| Part No. | Description | Qty |
| 5112-053 | Spring Assembly | 1 |
| 5114-026 | Motorcycle Body Assembly | 1 |
| 4160-021 | Below Ground Fixing Assembly | 1 |
| | Fixings Pack | 1 |

SPECIFICATION

Mobile body shall be manufactured from cast aluminium grade LM27. Spring shall be manufactured from chrome vanadium steel, hardened tempered and shot peened.

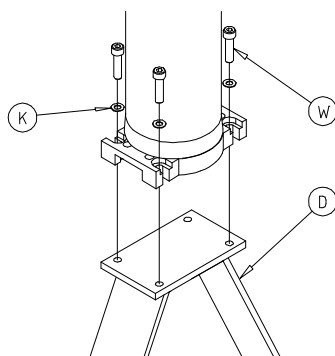
Casting plates shall be manufactured from cast aluminium grade LM25—M.

Where applicable parts shall be protected with low lead polyester paint within the meaning of the toy and safety regulations 1367 (1979) and the pencil and graphics regulations.

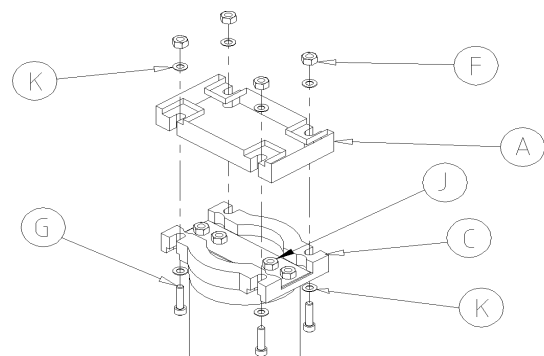
Fastenings, where applicable shall be non-standard (anti-vandal) and plated for protection.

INSTALLATION INSTRUCTIONS

- 1 Read installation instructions thoroughly before commencing the erection of the unit.
- 2 Excavate foundations in accordance with details shown in foundation plan.
- 3 Position below ground fixing assembly into prepared foundation block.
- 4 Ensure below ground fixing is plumb and square.
- 5 Backfill with concrete. Amount required – 0.15 cubic metres.
- 6 Allow concrete to set for at least 48 hours.
- 7 Once foundations have set, attach mobile body assembly complete to below ground fixing using 4 off M12 x 40 Socket Head Cap Screws & M12 washers.
- 8 Ensure all fastenings are tightened.
- 9 Note: Height from finished surface level to top of mobile seat must not exceed 600 mm. Ensure all installation aids are removed before use.

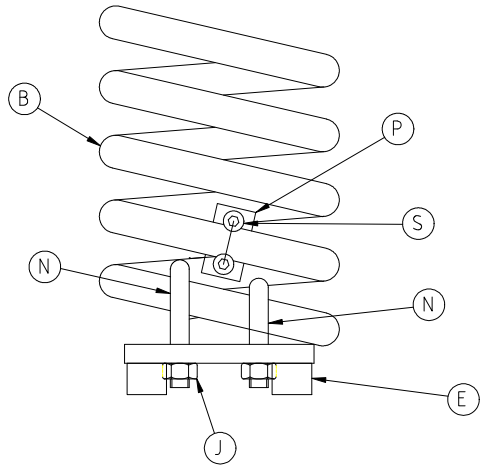


SPRING TO BASE FIXING DETAIL
Fit spring mobile base to below ground fixing assembly using M12 x 40 lg Cap Head screws & M12 washers.

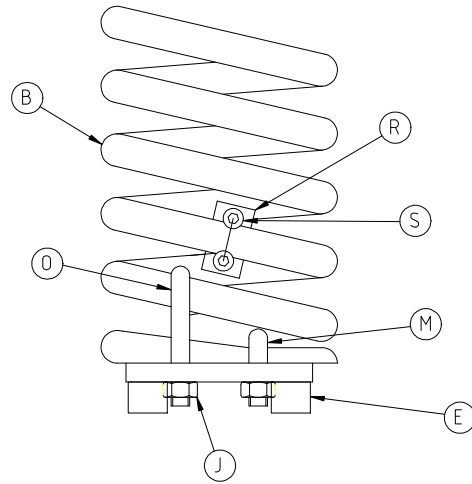


SPRING TO BODY FIXING DETAIL
Fit spring mobile body to spring assembly using M12 x 50 lg Button Head pentagon screws, M12 washers and M12 Binx nuts



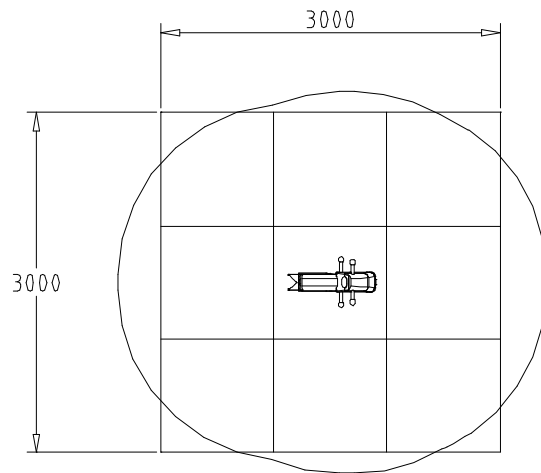


View showing Buffer & U Bolt Assembly at rear of Spring Mobile



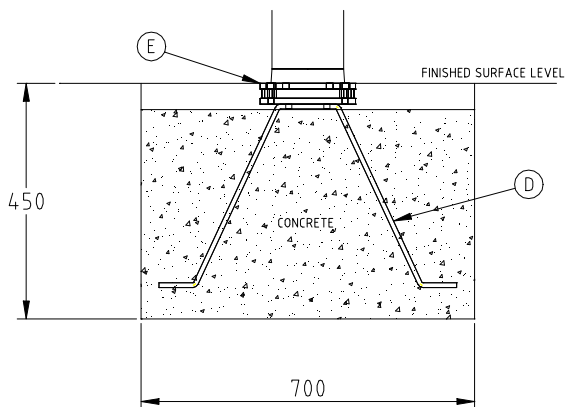
View showing Buffer & U Bolt Assembly at front of Spring Mobile

SURFACING & FALLING SPACE DETAIL

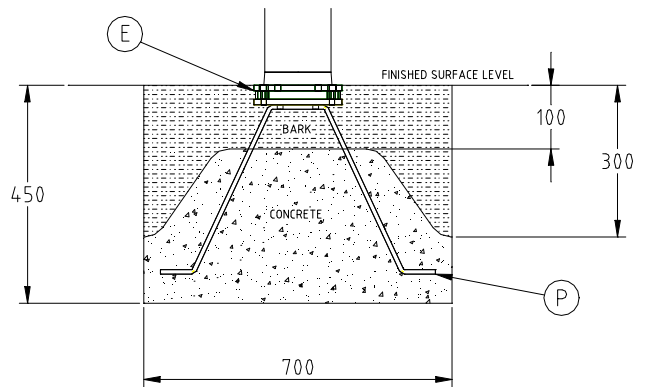


Falling Space – 1500 mm Radius. Grouped Mobiles may be installed together at 1500 centres side by side, classed as a Cluster.

FOUNDATION DETAIL



Mobile foundation detail when ground fixed.



Mobile foundation detail when bark fixed.

| REF | QTY | DESCRIPTION | PART No |
|---|-----|--------------------------------|------------|
| A | 1 | Mobile Body Assembly | 5114-026 * |
| B | 1 | Spring | 3043-302 * |
| C | 1 | Top Casting Plate | 3711-026 * |
| D | 1 | Below Ground Fixing Assembly | 4160-021 |
| E | 1 | Base Casting Plate | 3711-027 * |
| F | 4 | M12 Binx Nut | 2191-011 |
| G | 4 | M12 x 50 Socket Cap Head Screw | 2171-097 * |
| | | | |
| J | 12 | M12 Dome Binx Nut | 2191-012 * |
| K | 8 | 12mm Washer | 2215-509 * |
| M | 2 | Short U Bolt | 3041-311 * |
| N | 3 | Medium U Bolt | 3041-312 * |
| O | 1 | Long U Bolt | 3041-313 * |
| P | 1 | Rear Buffer | 3052-086 * |
| R | 1 | Front Buffer | 3052-087 * |
| S | 4 | M6 x 30 Csk Socket Head Screw | 2171-159 * |
| T | 1 | Clamping Plate | 3200-289 * |
| U | 1 | Shroud | 2651-021 * |
| W | 4 | M12 x 40 Socket Cap Head Screw | 2171-047 * |
| N.B Items marked * are to be delivered already assembled. | | | |

For maintenance instructions see separate sheet.

Note: All spare parts are readily available from Wicksteed Leisure upon request.

| | | | | | | | | | | |
|------------------|--------------|-------|---------|----------|---------|--------|----------|----------|--------|--------|
| COMPILED BY: SMH | APPROVED BY: | REV | 6 | 7 | 8 | 9 | 10 | 11 | 12 | 13 |
| | VS | ECN | 835 | 854 | 890 | | 1290 | 1315 | 1330 | 1363 |
| DATE: 10/5/88 | DATE: | SIG. | PG | PG | PG | ADC | PG | PG | PG | PG |
| | 10/5/88 | DATE. | 8/9/93 | 11/11/93 | 18/4/94 | 6/6/97 | 25/11/97 | 20/10/98 | 4/5/99 | 6/2/01 |
| | | REV | 14 | 15 | 16 | 17 | | | | |
| | | ECN | 1376 | minor | minor | minor | | | | |
| | | SIG. | PG | PG | PK | PG | | | | |
| | | DATE. | 14/3/01 | 2/4/01 | 22/1/02 | 4/4/14 | | | | |

