


<b>Rockerplay</b>	
<b>Buddy Board</b> with Suspension Unit	
PROD. CODE	6060-111
SIZE	1545 x 620 x 530
AGE RANGE	6 - 16 Years
F/ FALL HEIGHT	Max 1000mm
HEAVIEST PART	Approx 105Kg
TOTAL WEIGHT	Approx 134Kg
	

**SPECIFICATION**

Steel plate to BS EN 10025 S235 & S275  
 Steel CHS to BS EN 10219 S235, S275 & S355  
 Steel Bar to 10025 S275 and 10277  
 Welding to EN ISO 14341:2011  
 Polyester powder paint to EN 13438:2005

Standard fixings to BS 3692:2001 and BS 4190:2001  
 Non-standard fixings are anti-vandal and corrosion resistant

**INSTALLATION INSTRUCTIONS**

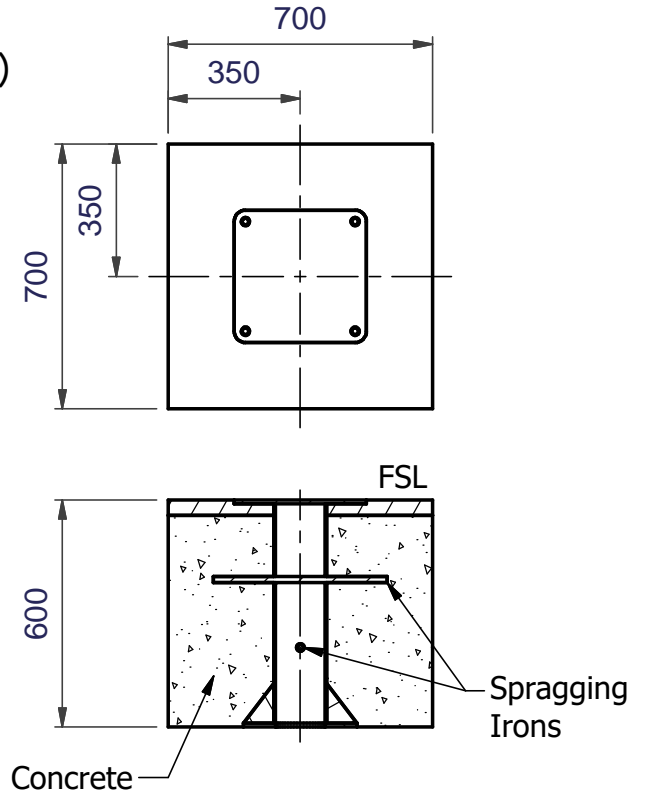
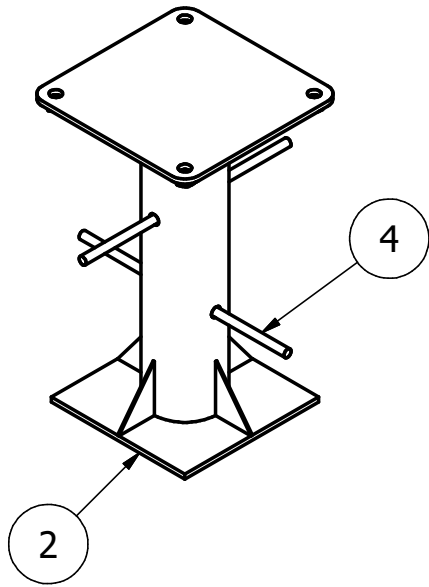
1. Read instructions thoroughly before commencing installation of unit.
2. Excavate foundations as shown on the foundation plan.
3. Position and assemble the below ground fixing with spragging irons (see page 2) centrally in the excavated hole ensuring that it is at the correct height and the top plate is flush with the finished surface level.
4. Backfill with 0.28 m<sup>3</sup> concrete (4 parts gravel, 2 parts sand & 1 part cement).
5. Allow concrete to set for a period of 48 hours.
6. Fit the Suspension Unit Assembly/Buddy Board Assembly to the below ground fixing as shown on page 5.
7. Ensure that all fastenings are fully tightened.

Note

Note      Ensure all installation aids are removed before first use.

Foundation Detail

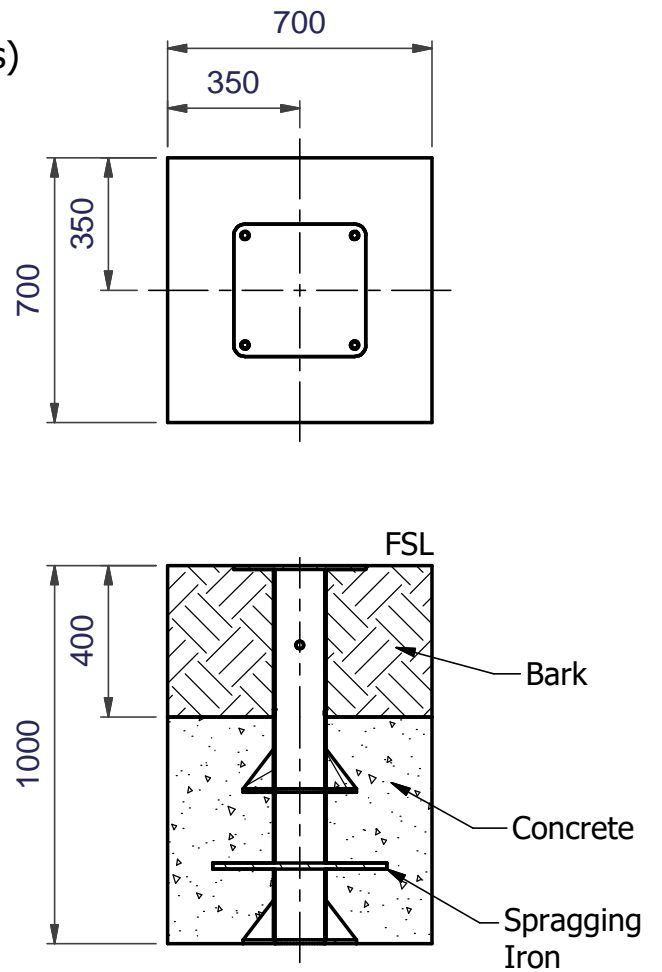
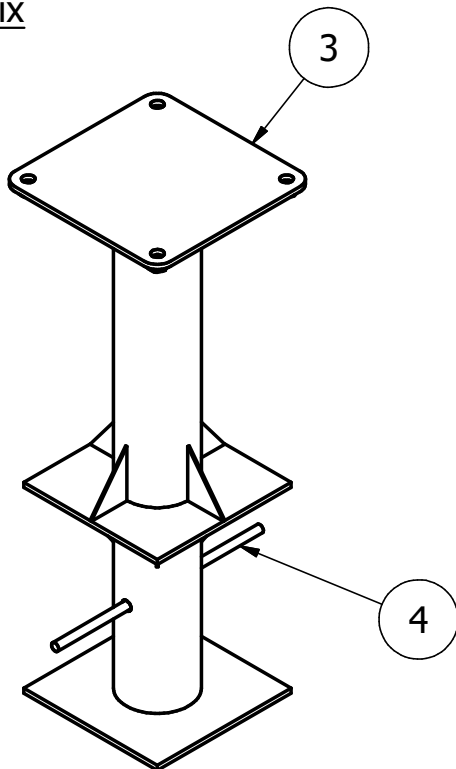
(Care must be taken in abnormal conditions)



Foundation Detail

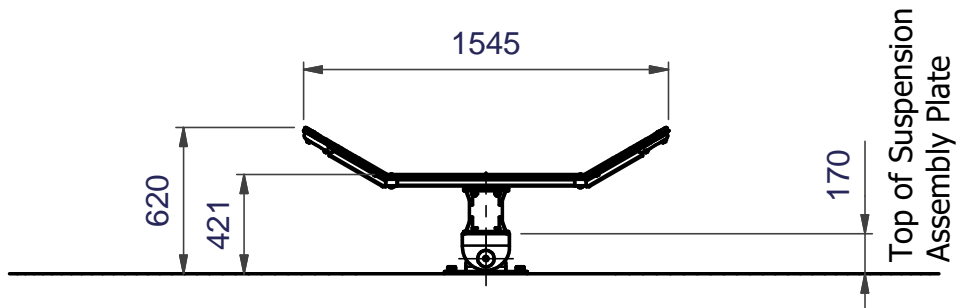
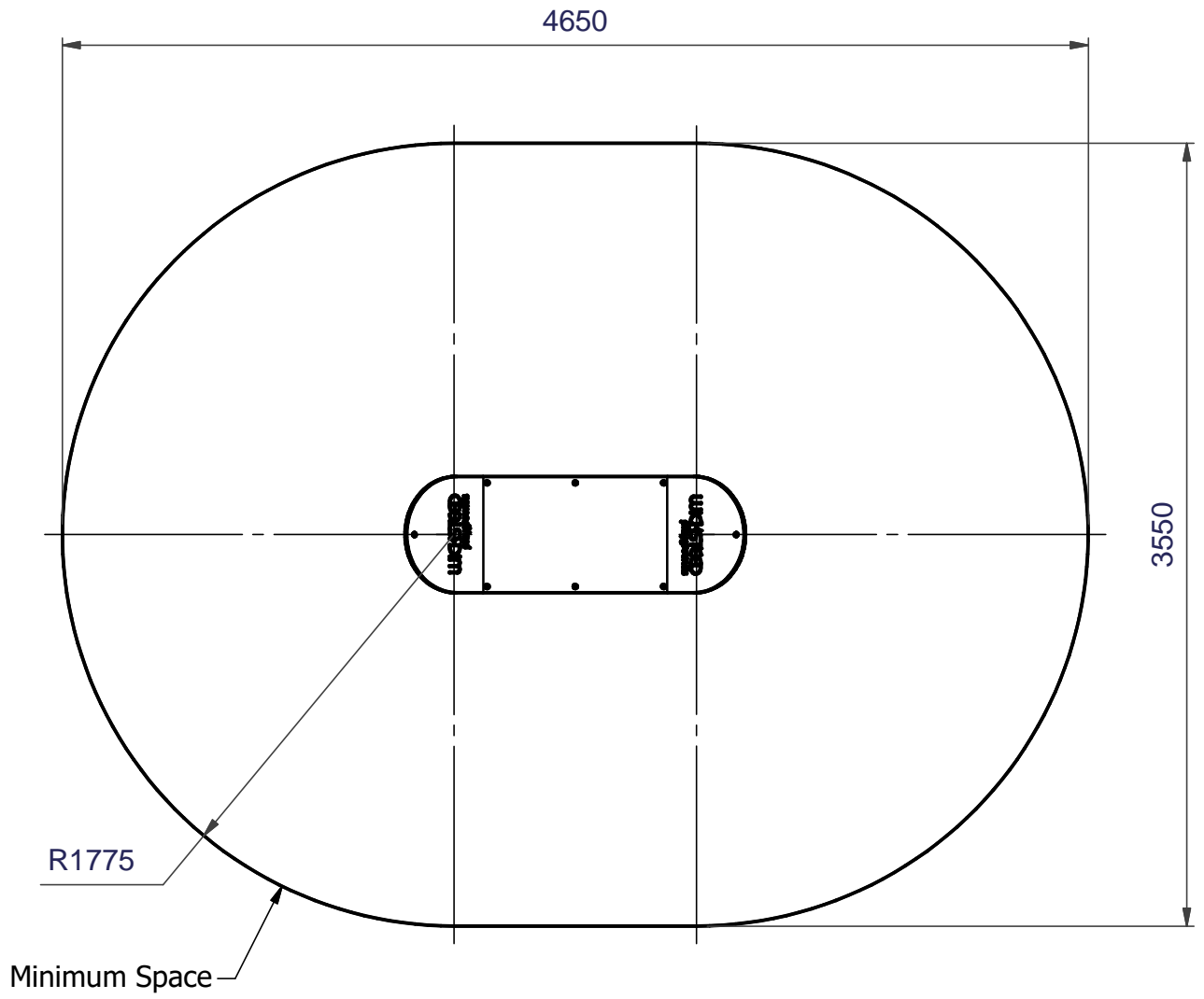
(Care must be taken in abnormal conditions)

Bark Fix



FSL = Finished Surface Level

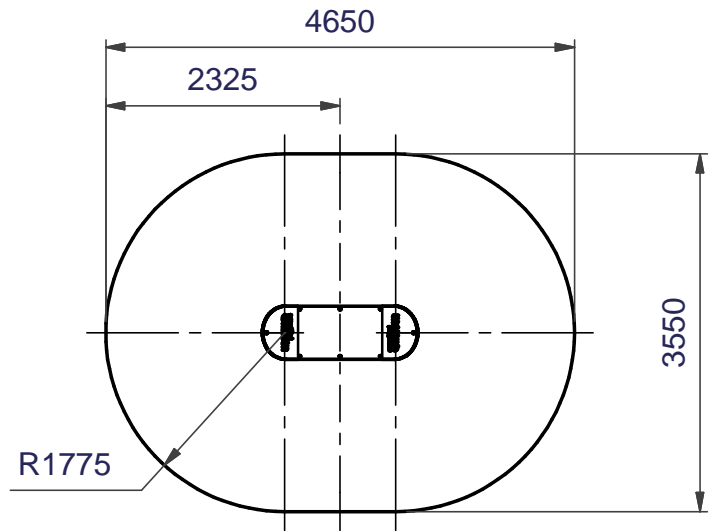
Minimum Space



Safety Surfacing

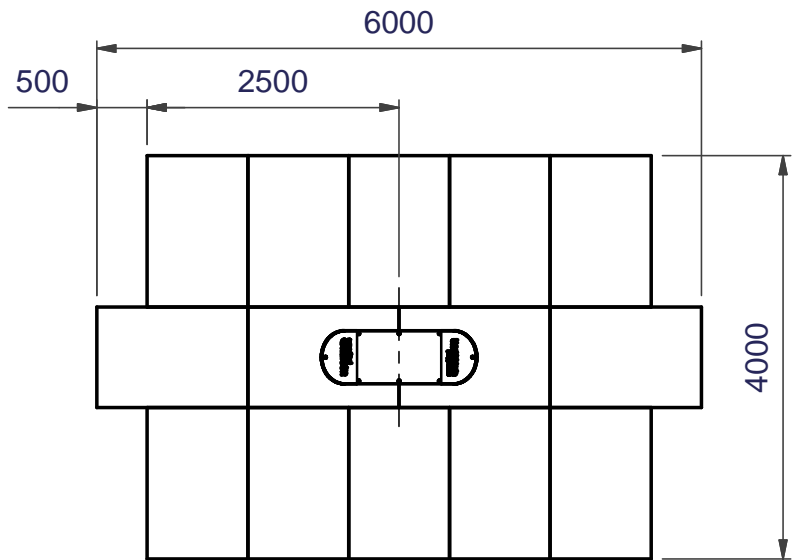
Wetpour

14.0 Sq. Metres 40mm Wetpour  
13.5 Linear Metres Wetpour Edging



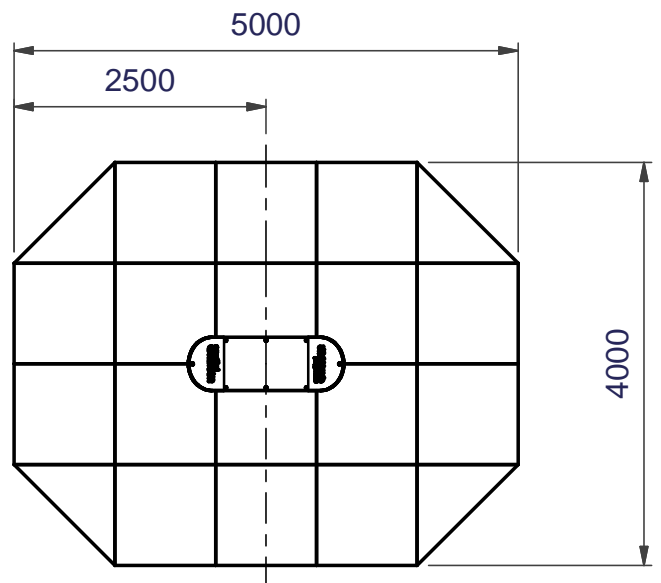
Grass Mats  
(1500 x 1000mm)

14 off Total



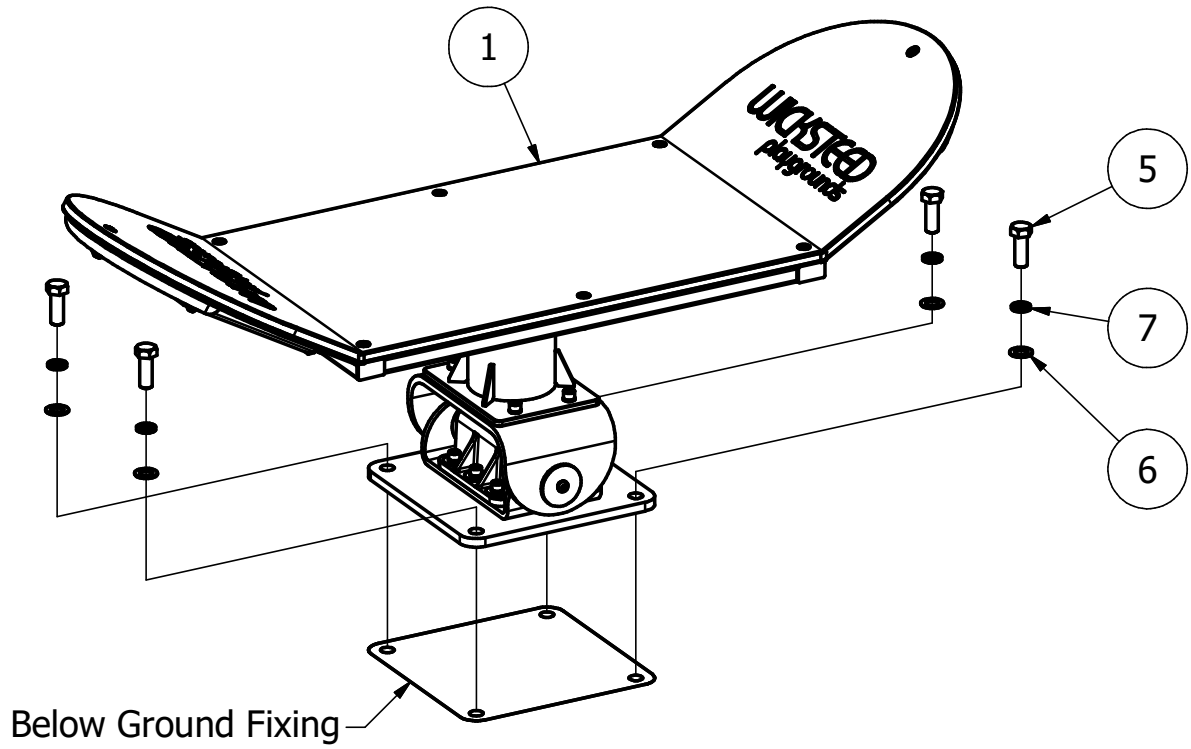
Safety Tiles  
(1000 x 1000mm)

18.0 Sq. Metres  
40mm Thickness  
16.0 Linear Metres of Tile Edging



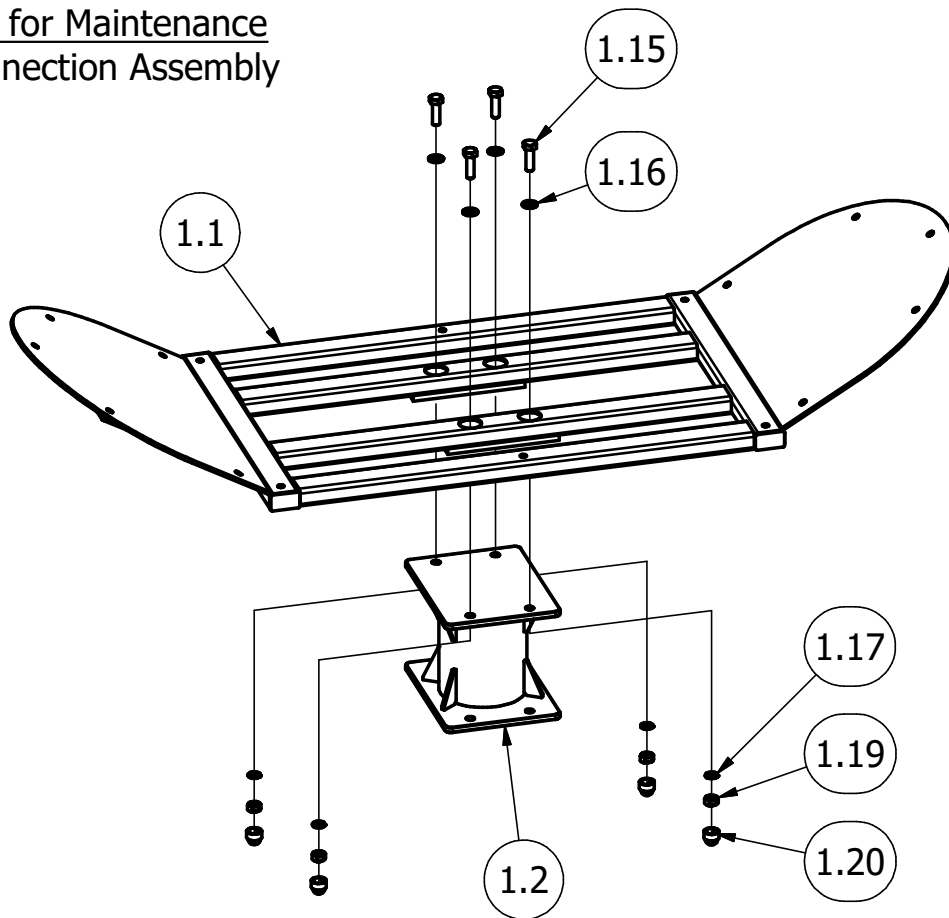
Fixing Details for Maintenance

Suspension Unit Assembly/Buddy Board Assembly  
to Below Ground Fixing

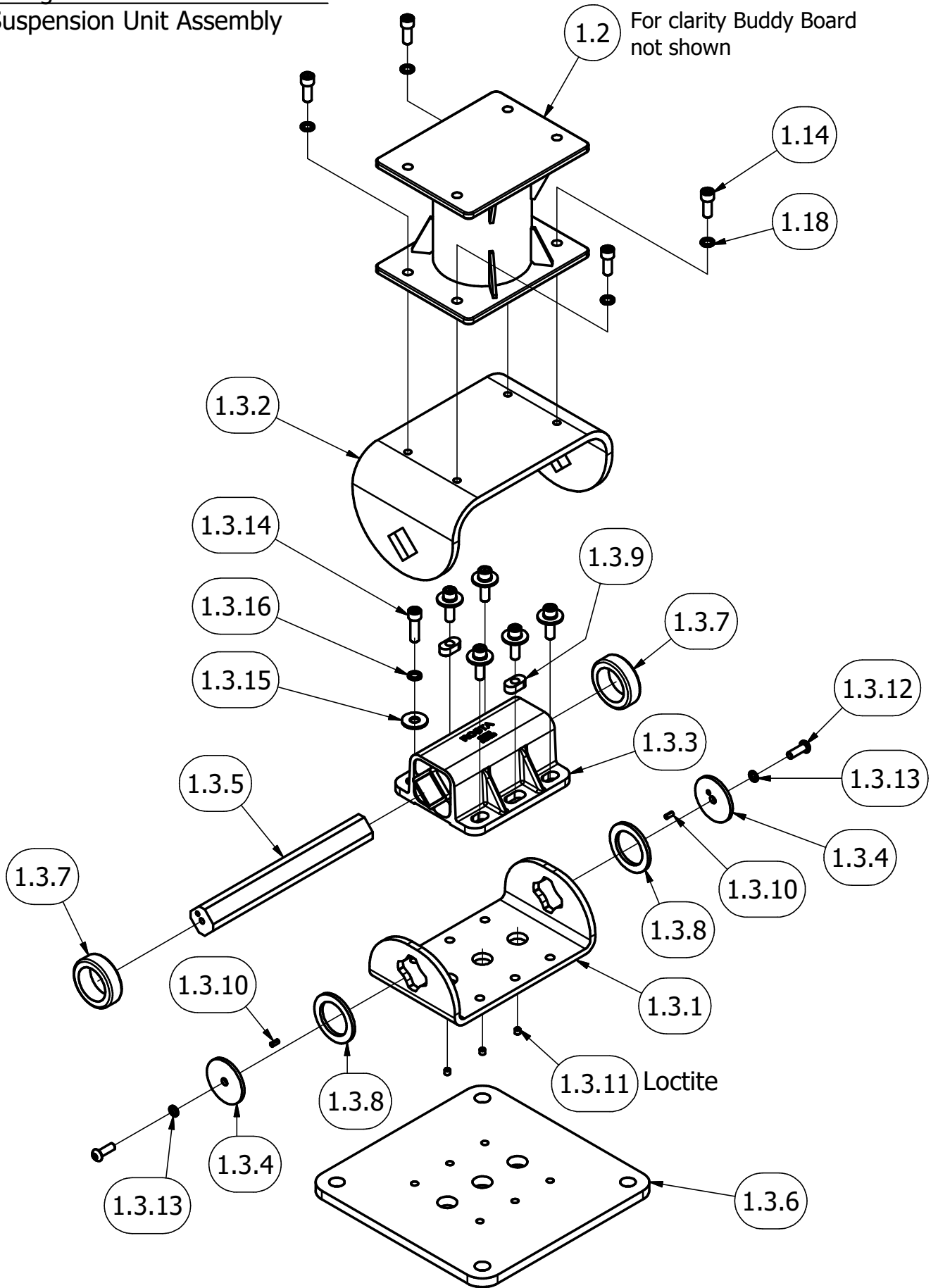


Fixing Details for Maintenance

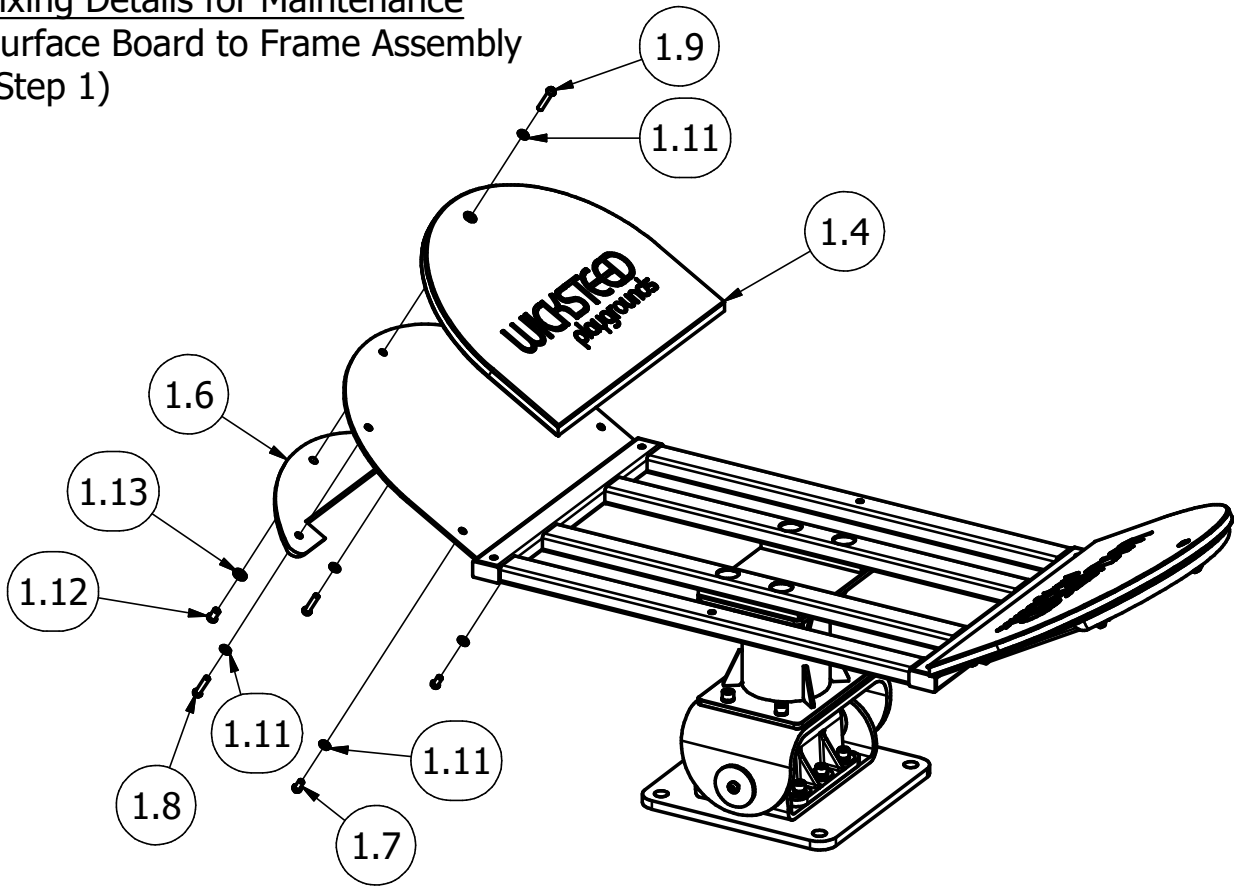
Frame to Connection Assembly



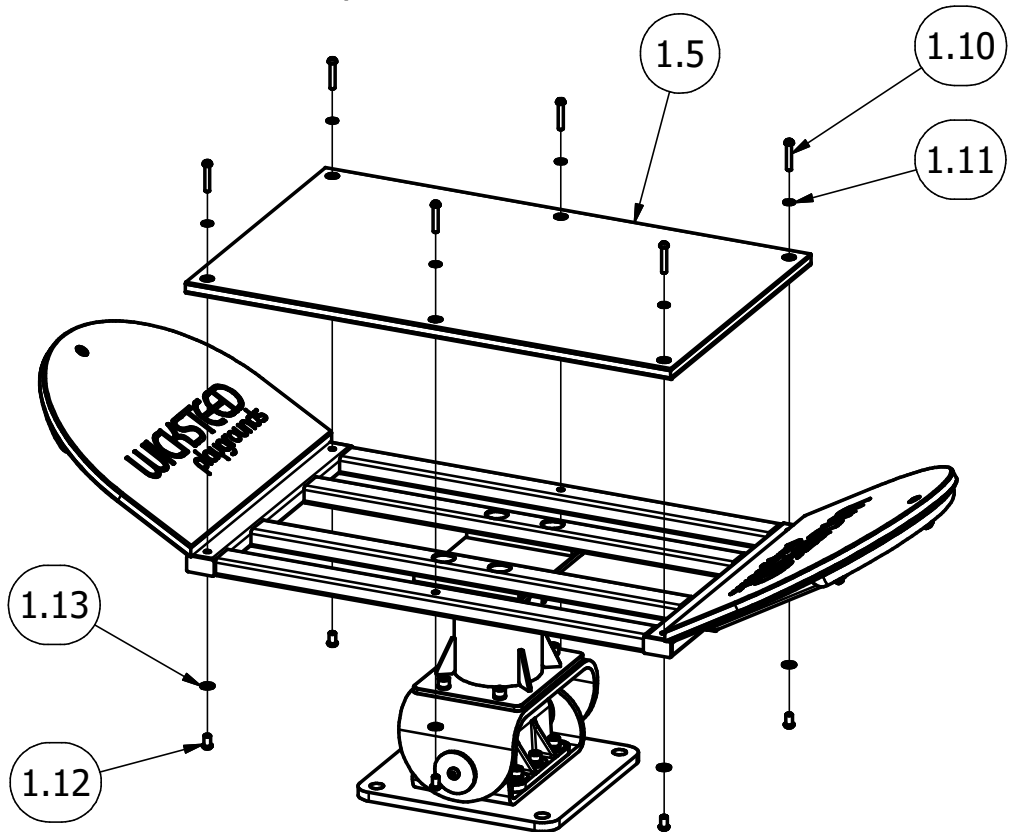
**Fixing Details for Maintenance  
Suspension Unit Assembly**



Fixing Details for Maintenance  
Surface Board to Frame Assembly  
(Step 1)



Fixing Details for Maintenance  
Surface Board to Frame Assembly  
(Step 2)



Parts List			
ITEM	QTY	PART NUMBER	DESCRIPTION
1	1	5112-122	Buddy Board with Susp Unit Assembly
1.1	1	4202-133	Frame W.A.
1.2	1	4202-771	Connection Assembly
1.3	1	5114-110	Suspension Unit Assembly
1.3.1	1	3201-343	Suspension Unit Plate
1.3.2	1	3201-344	U - Plate
1.3.3	1	2911-006	Rubber Suspension Unit - Machined
1.3.4	2	3292-214	End Cap
1.3.5	1	3069-042	Torsion Bar
1.3.6	1	3293-126	Plate
1.3.7	2	2570-004	Spacer
1.3.8	2	2570-005	Spacer
1.3.9	2	3756-178	Fixing Locator
1.3.10	2	2223-021	DIA 6 x 12 LG SELLOK PIN
1.3.11	3	2171-111	M8 x 8 LG CUP POINT GRUB SCREW
1.3.12	2	2176-132	M10 x 30 Pent Button Head
1.3.13	2	2212-203	M10 Spring Washer
1.3.14	6	2171-228	M12 x 40 SKT HD CAP SCREW c/w PIN
1.3.15	6	2215-515	M12 EXTRA LARGE PLAIN WASHER
1.3.16	6	2212-002	M12 Spring Washer
1.4	2	4202-224	End Panel Assy
1.5	1	3756-016	Centre Panel
1.6	2	3755-846	Underside Contact Panel
1.7	4	2176-151	M8 x 16 Pent Button Head
1.8	4	2176-154	M8 x 35 Pent Button Head
1.9	2	2176-155	M8 x 45 Pent Btn Head (Cut Down to 40mm)
1.10	6	2176-155	M8 x 45 Pent Button Head
1.11	16	2215-507	M8 Washer
1.12	8	2177-001	M8 Safety Fastener
1.13	8	2215-508	M10 Washer
1.14	4	2171-226	M12 x 30 Skt Hd Cap Screw c/w Pin
1.15	4	2175-137	M12 x 40 LG HEX HD SCREW

Continued



Parts List

ITEM	QTY	PART NUMBER	DESCRIPTION
1.16	4	2215-509	M12 Plain Washer
1.17	4	2212-213	M12 NORD LOCK WASHER
1.18	4	2212-002	M12 Spring Washer
1.19	4	2191-011	M12 Binx Nut
1.20	4	2613-016	M12 Nut Cap
2	1	5071-056	BGF for Spring Mechanism
3	1	5071-057	BGF for Spring Mechanism - Bark
4	3	3030-310	460mm Spragging Iron
5	4	2175-181	M20 x 55 HT HEX HD SCREW
6	4	2215-512	M20 WASHER 2mm THK
7	4	2212-206	20mm SPRING WASHER

COMPILED MC	REV	0	1						
	ECN	1766	Minor						
DATE: 14/06/17	SIG.	MC	MC						
	DATE:	14/06/17	12/07/17						

# DESPATCH LIST

Sheet 1 of 1

Product: 6060-111 Buddy Board (with Suspension Unit) Date of Issue: 14/06/17

Order No: Issue: A

Item	Unit Qty	Description	Part No.	Checked
1	1	Buddy Board assembly	5112-122	
2	1	BGF upright	5071-056	
3	1	Fixing pack		
4				
5				
6				
7		<b>Pre-assembled Panels</b>		
8	2	End Panels *	3756-017	
9	1	Centre Panel *	3756-016	
10	2	Underside Contact Panels *	3755-846	
11				
12				
13				
14				
15				
16				
17				
18				
19				
20				
21				
22				
23				
24		<b>Items marked * to be fitted prior to despatch</b>		

Total No. of Items

Picked By: Checked By:

COMPILED BY: MC	REV	0					
	ECN No.	1766					
DATE: 14/06/17	DATE	14/06/2017					
	SIGN	MC					

# FIXINGS LIST

Product: 6060-111 Buddy Board (with Suspension Unit) Date of Issue: 14/06/17

Order No: Issue: A

Item	Unit Qty	Description	Part No.	Checked
1	2	460mm Spragging Iron	3030-310	
2	4	M20 x 55 HT Hex Head Bolt	2175-181	
3	4	M20 Washer	2215-512	
4	4	M20 Spring Washer	2212-206	
5				
6				
7				
8				
9				
10				
11				
12				
13				
14				
15				
16				
17				
18				
19				
20				
21				
22				
23				
24		<b>Items marked * to be fitted prior to despatch</b>		

Total No. of Items

Picked By: \_\_\_\_\_ Checked By: \_\_\_\_\_

COMPILED BY: MC	REV	0	1				
	ECN No.	1766	Minor				
DATE: 14/06/17	DATE	14/06/2017	12/07/2017				
	SIGN	MC	MC				

# DESPATCH LIST

Sheet 1 of 1

Product: 6060-911 Buddy Board (with Susp Unit) - BARK Date of Issue: 14/06/17

Order No: Issue: A

Item	Unit Qty	Description	Part No.	Checked
1	1	Buddy Board assembly	5112-122	
2	1	BGF upright - Bark	5071-057	
3	1	Fixing pack		
4				
5				
6				
7		<b>Pre-assembled Panels</b>		
8	2	End Panels *	3756-017	
9	1	Centre Panel *	3756-016	
10	2	Underside Contact Panels *	3755-846	
11				
12				
13				
14				
15				
16				
17				
18				
19				
20				
21				
22				
23				
24		<b>Items marked * to be fitted prior to despatch</b>		

Total No. of Items

Picked By: Checked By:

COMPILED BY: MC	REV	0					
	ECN No.	1766					
DATE: 14/06/17	DATE	14/06/2017					
	SIGN	MC					

# FIXINGS LIST

Product: 6060-911 Buddy Board (with Susp Unit) - BARK Date of Issue: 14/06/17

Order No: Issue: A

Item	Unit Qty	Description	Part No.	Checked
1	1	460mm Spragging Iron	3030-310	
2	4	M20 x 55 HT Hex Head Bolt	2175-181	
3	4	M20 Washer	2215-512	
4	4	M20 Spring Washer	2212-206	
5				
6				
7				
8				
9				
10				
11				
12				
13				
14				
15				
16				
17				
18				
19				
20				
21				
22				
23				
24		<b>Items marked * to be fitted prior to despatch</b>		

Total No. of Items

Picked By: \_\_\_\_\_ Checked By: \_\_\_\_\_

COMPILED BY: MC	REV	0	1				
	ECN No.	1766	Minor				
DATE: 14/06/17	DATE	14/06/2017	12/07/2017				
	SIGN	MC	MC				