


| | |
|---|---------------|
| <h1>Rockerplay</h1> | |
| <h2>Glow Worm</h2> <p>with Suspension Unit</p> | |
| PROD. CODE | 6060-109 |
| SIZE | 2260x1030x385 |
| AGE RANGE | 2 - 6 Years |
| F/ FALL HEIGHT | 1000mm |
| HEAVIEST PART | Approx 69Kg |
| TOTAL WEIGHT | Approx 109Kg |
|  | |

SPECIFICATION

Steel plate to BS EN 10025
 Steel CHS to BS EN 10255
 Steel Bar to BS EN 10025
 Welding to EN ISO 14341:2011
 Polyester powder paint to EN 13438:2005

Standard fixings to BS 3692:2001 and
 BS 4190:2001
 Non-standard fixings are anti-vandal and
 corrosion resistant

INSTALLATION INSTRUCTIONS

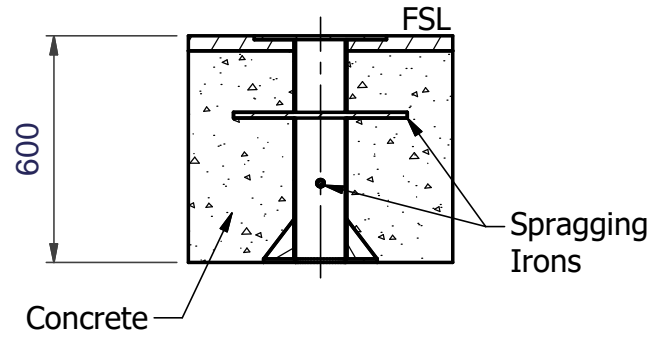
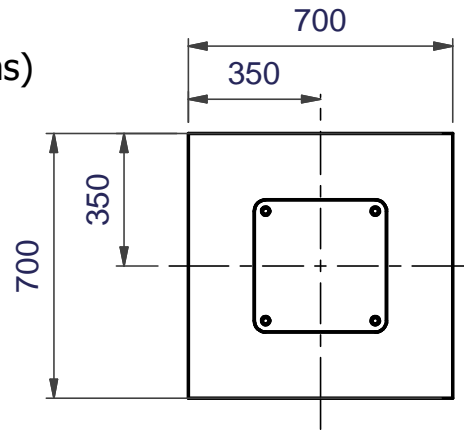
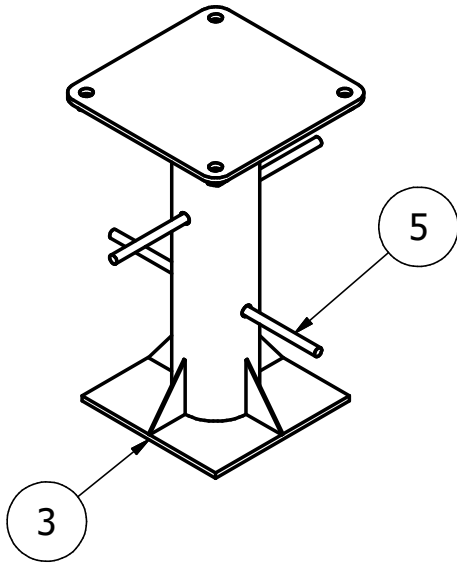
1. Read instructions thoroughly before commencing installation of unit.
2. Excavate foundations as shown on the foundation plan (see page 2).
3. Position and assemble the below ground fixing with spragging irons (see page 2) centrally in the excavated hole ensuring that it is at the correct height and the top plate is flush with the finished surface level.
4. Backfill with 0.28 m³ concrete (4 parts gravel, 2 parts sand & 1 part cement).
5. Allow concrete to set for a period of 48 hours.
6. Fit the Main Body Assembly to the below ground fixing as shown on page 5.
7. Ensure that all fastenings are fully tightened.

Note

Note Ensure all installation aids are removed before first use.

Foundation Detail

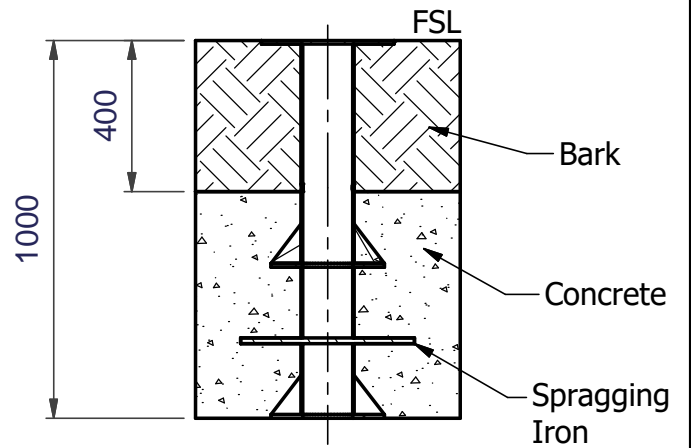
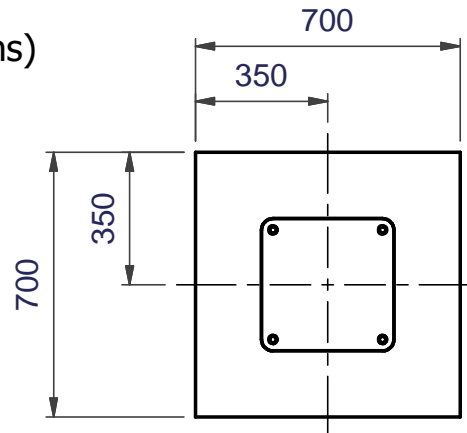
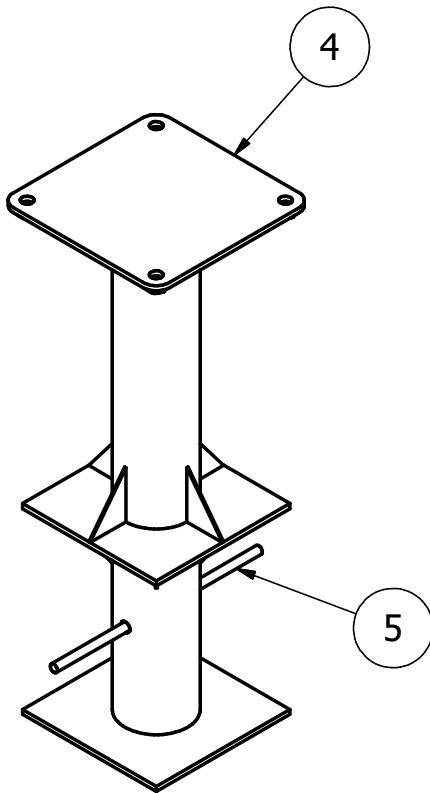
(Care must be taken in abnormal conditions)



Foundation Detail

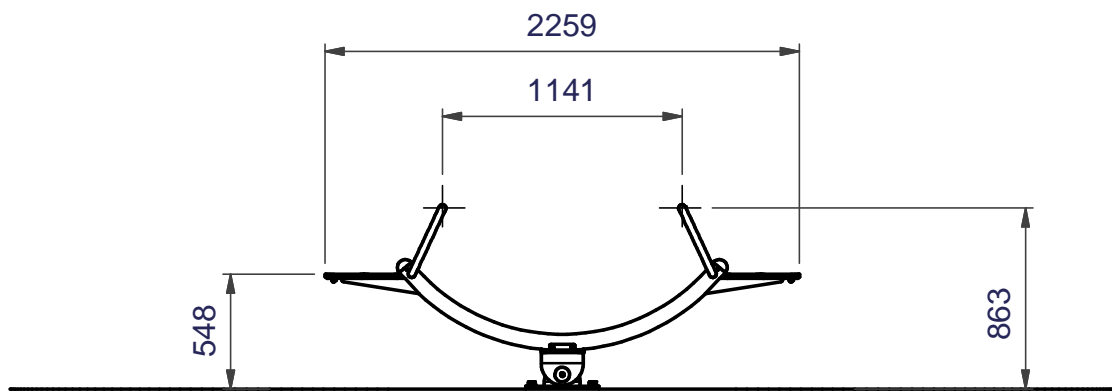
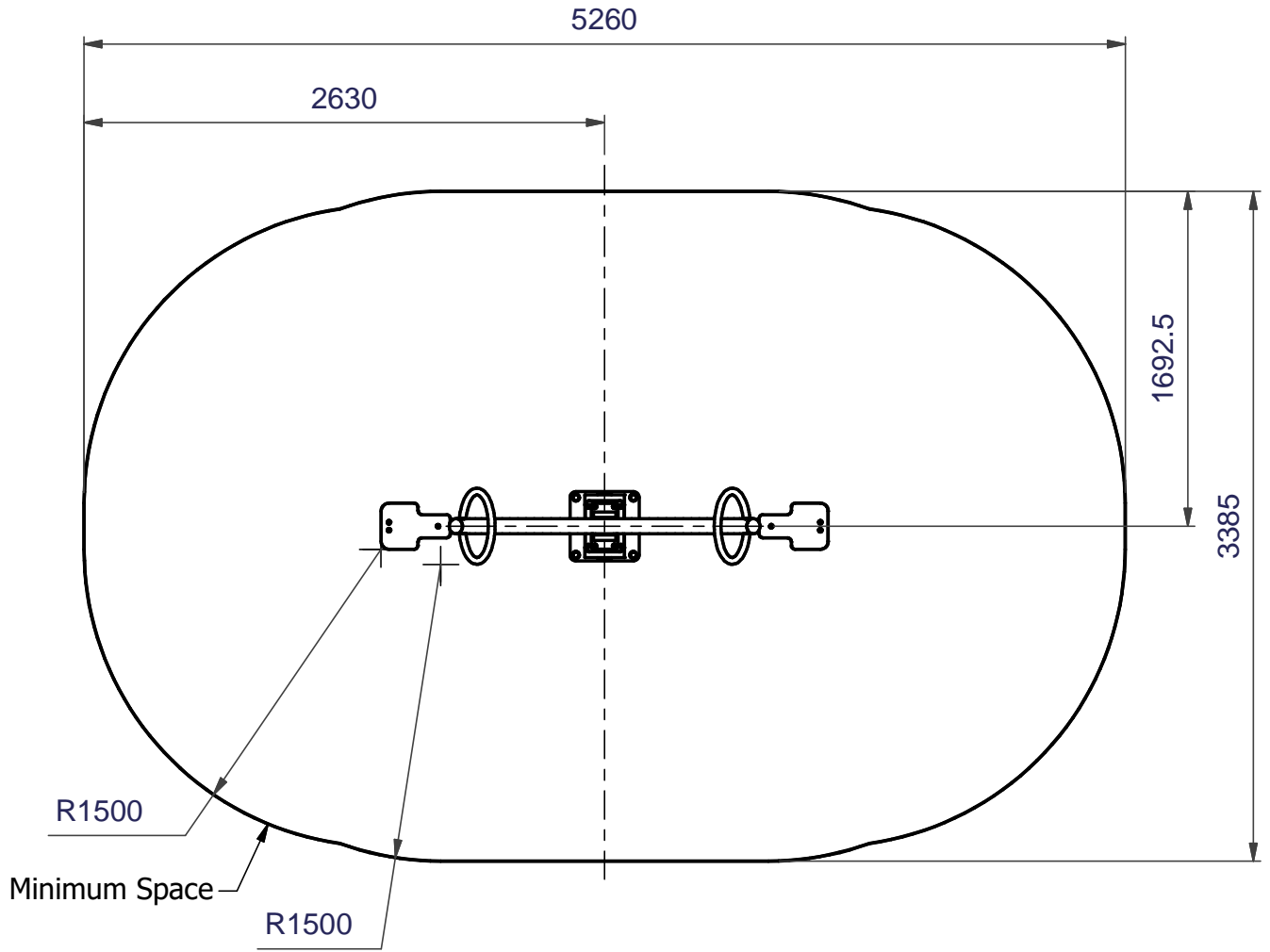
(Care must be taken in abnormal conditions)

Bark Fix



FSL = Finished Surface Level

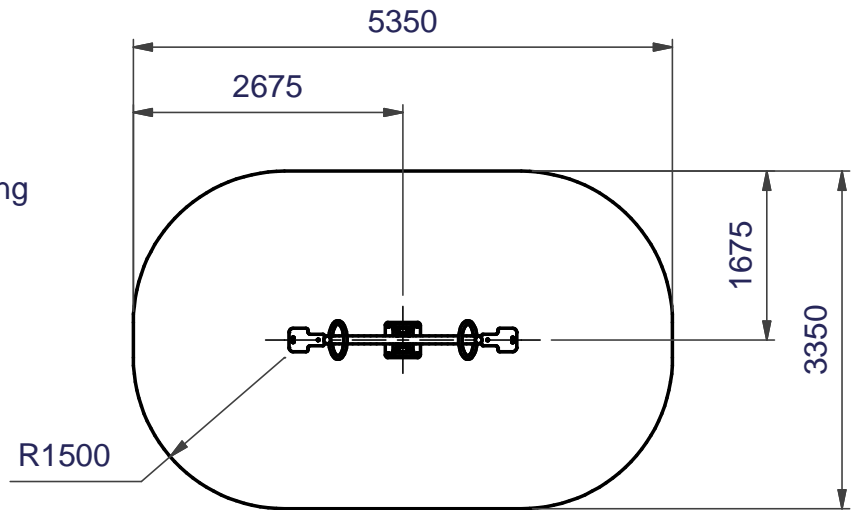
Minimum Space



Safety Surfacing

Wetpour

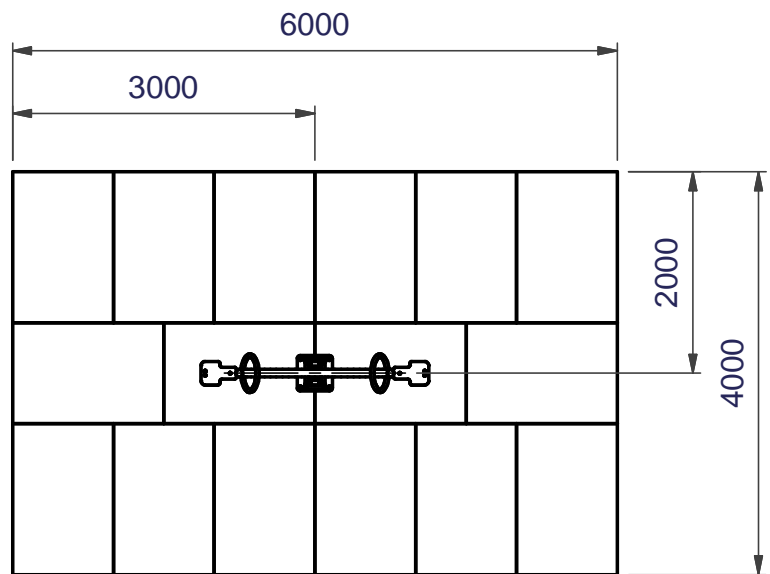
15.5 Sq. Metres 40mm Wetpour
15.0 Linear Metres Wetpour Edging



Grass Mats

(1500 x 1000mm)

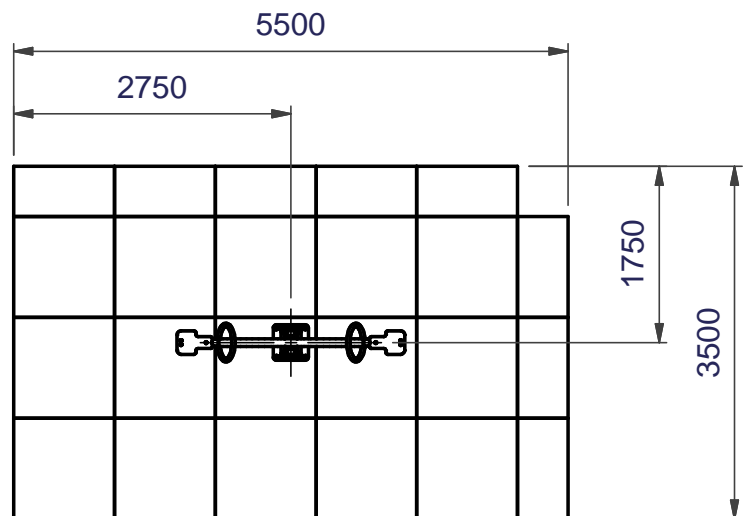
16 off Total



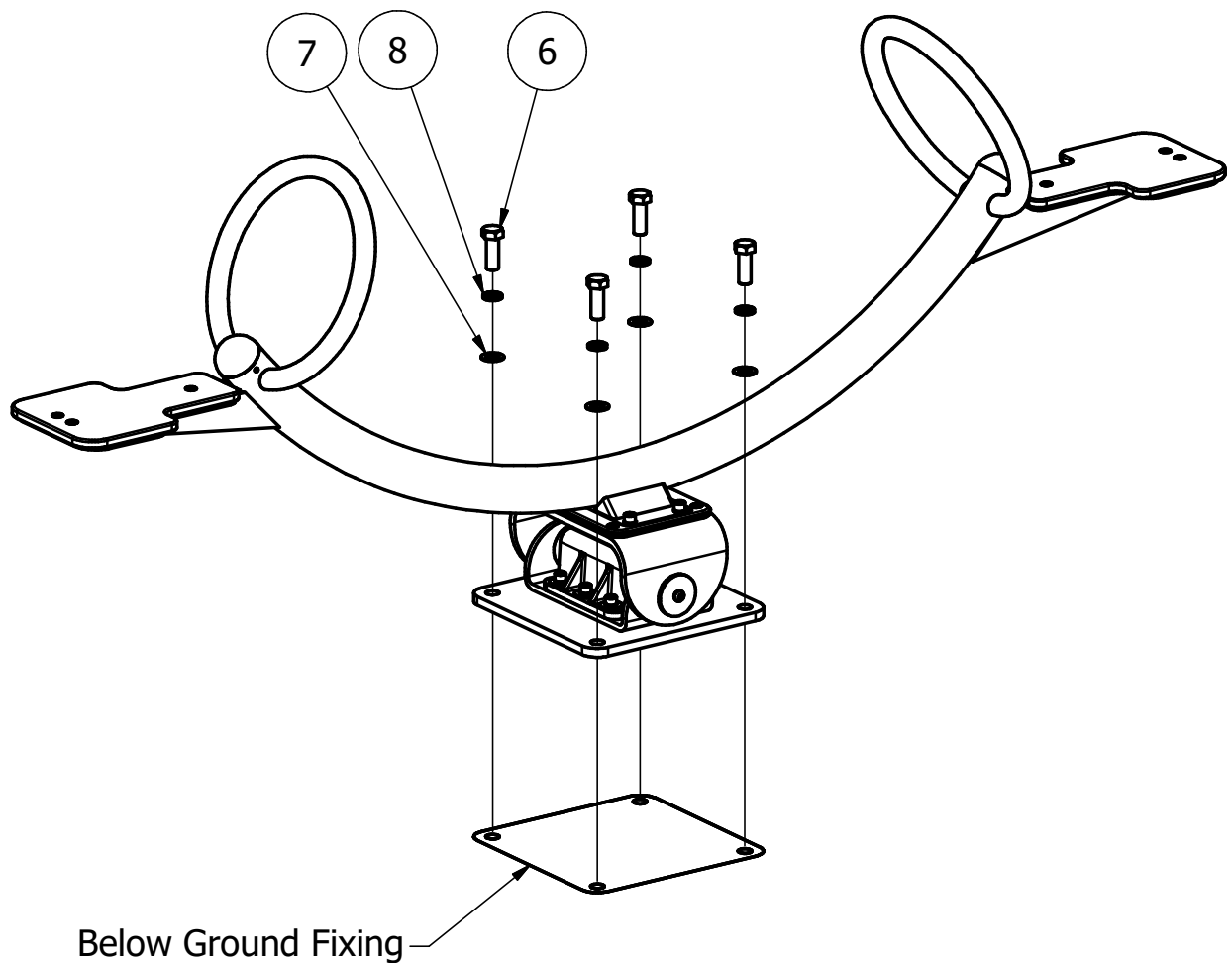
Safety Tiles

(1000 x 1000mm)

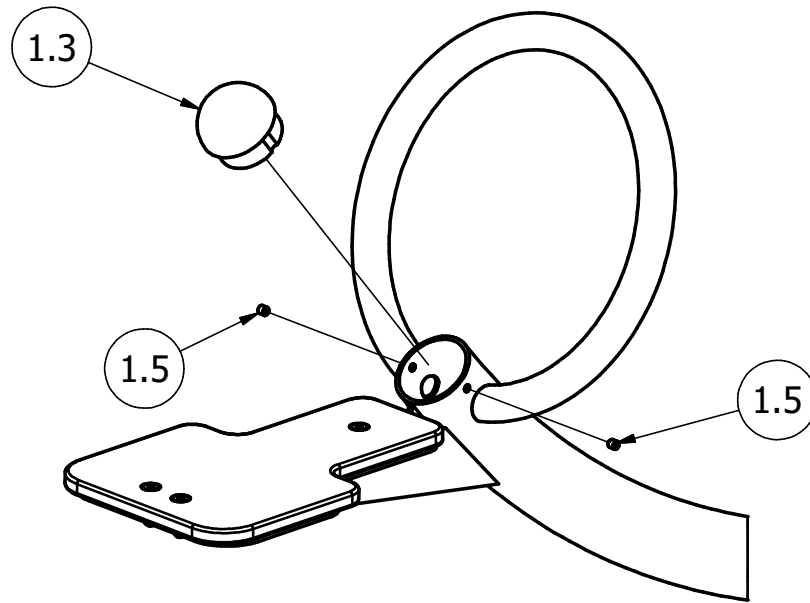
19.0 Sq. Metres
40mm Thickness
18.0 Linear Metres of Tile Edging



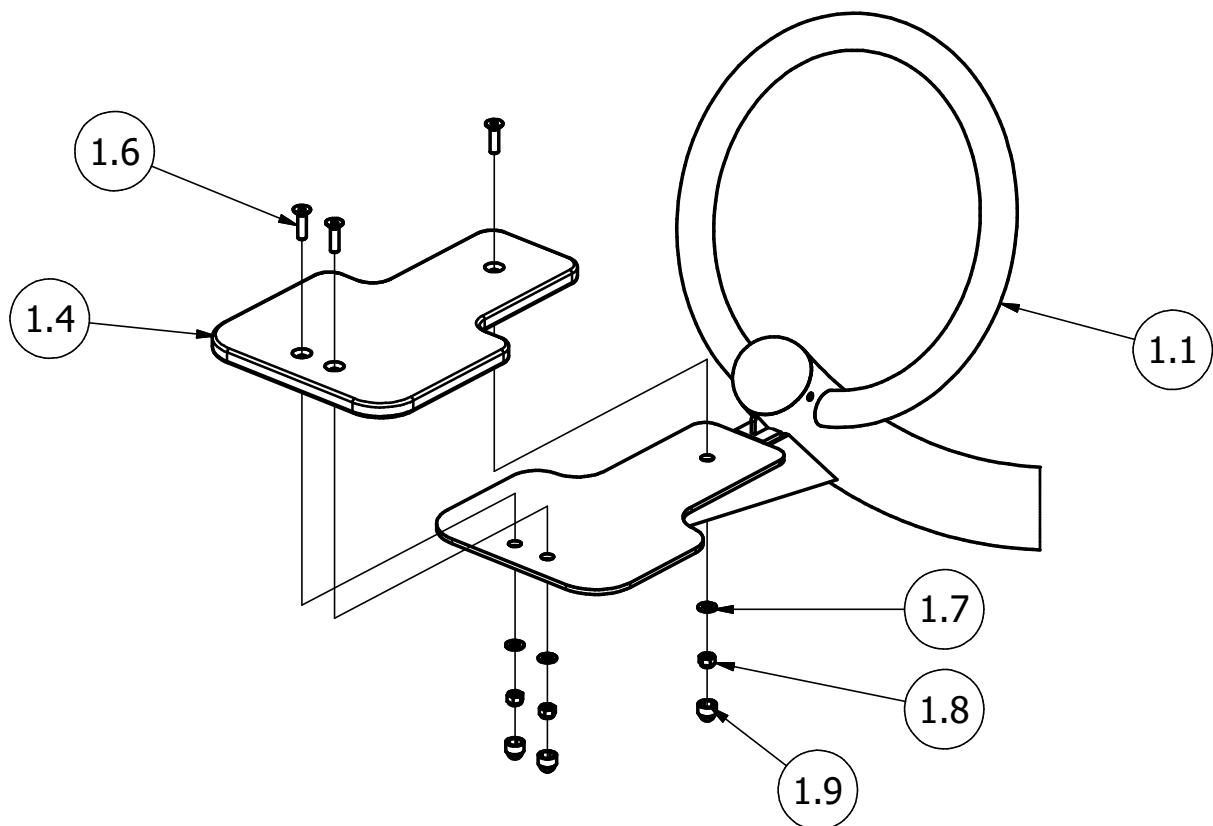
Fixing Details for Maintenance
Frame to Below Ground Fixing



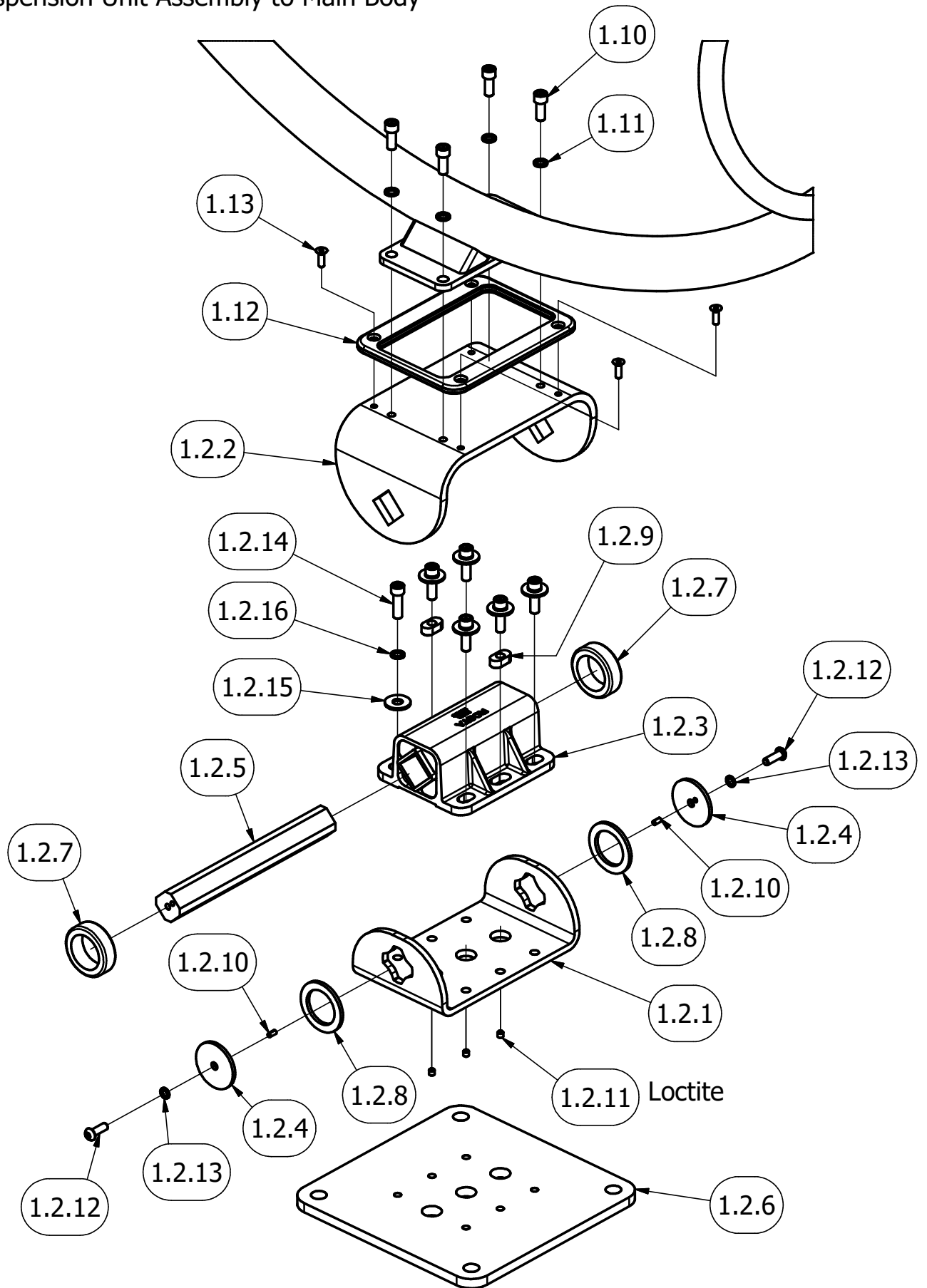
Fixing Details for Maintenance
End Cap



Fixing Details for Maintenance
Attaching Seats



Fixing Details for Maintenance
 Suspension Unit Assembly to Main Body



| Parts List | | | |
|------------|-----|-------------|------------------------------------|
| ITEM | QTY | PART NUMBER | DESCRIPTION |
| 1 | 1 | 5112-120 | Glow Worm Assembly |
| 1.1 | 1 | 4202-755 | Glow Worm Main Body W.A. |
| 1.2 | 1 | 5114-110 | Suspension Unit Assembly |
| 1.2.1 | 1 | 3201-343 | Suspension Unit Plate |
| 1.2.2 | 1 | 3201-344 | U - Plate |
| 1.2.3 | 1 | 2911-006 | Rubber Suspension Unit - Machined |
| 1.2.4 | 2 | 3292-214 | End Cap |
| 1.2.5 | 1 | 3069-042 | Torsion Bar |
| 1.2.6 | 1 | 3293-126 | Plate |
| 1.2.7 | 2 | 2570-004 | Spacer |
| 1.2.8 | 2 | 2570-005 | Spacer |
| 1.2.9 | 2 | 3756-178 | Fixing Locator |
| 1.2.10 | 2 | 2223-021 | DIA 6 x 12 LG SELLOK PIN |
| 1.2.11 | 3 | 2171-111 | M8 x 8 LG CUP POINT GRUB SCREW |
| 1.2.12 | 2 | 2176-132 | M10 x 30 Pent Button Head |
| 1.2.13 | 2 | 2212-203 | M10 Spring Washer |
| 1.2.14 | 6 | 2171-228 | M12 x 40 SKT HD CAP SCREW c/w PIN |
| 1.2.15 | 6 | 2215-515 | M12 EXTRA LARGE PLAIN WASHER |
| 1.2.16 | 6 | 2212-002 | M12 Spring Washer |
| 1.3 | 2 | 3711-002 | Aluminium End Cap |
| 1.4 | 2 | 3726-105 | T-SHAPED SEAT |
| 1.5 | 4 | 2171-111 | M8 x 8 LG CUP POINT GRUB SCREW |
| 1.6 | 6 | 2176-228 | M8 x 30 LG PENT C'SK SCREW |
| 1.7 | 6 | 2215-507 | M8 Washer |
| 1.8 | 6 | 2192-001 | M8 Nyloc Nut |
| 1.9 | 6 | 2613-015 | M8 Protective Cap |
| 1.10 | 4 | 2171-226 | M12 x 30 Skt Hd Cap Screw c/w Pin |
| 1.11 | 4 | 2212-002 | M12 Spring Washer |
| 1.12 | 1 | 3756-204 | Spacer Panel |
| 1.13 | 4 | 2171-179 | M8 x 25 C'SK SKT HD SCREW with PIN |
| 3 | 1 | 5071-056 | BGF for Spring Mechanism |
| 4 | 1 | 5071-057 | BGF for Spring Mechanism - Bark |
| 5 | 3 | 3030-310 | 460mm Spragging Iron |
| 6 | 4 | 2175-181 | M20 x 55 HT HEX HD SCREW |
| 7 | 4 | 2215-512 | M20 WASHER 2mm THK |
| 8 | 4 | 2212-206 | 20mm SPRING WASHER |

| | | | | | | | | | | |
|-------------------|-------|----------|----------|----------|----------|----------|--|--|--|--|
| COMPILED MC | REV | 0 | 1 | 2 | 3 | 4 | | | | |
| | ECN | 1761 | Minor | Minor | Minor | Minor | | | | |
| DATE: 23/03/17 | SIG. | MC | MC | MC | MC | MC | | | | |
| | DATE: | 23/03/17 | 12/04/17 | 07/06/17 | 12/07/17 | 28/11/17 | | | | |

DESPATCH LIST

Product: 6060-109 Glow Worm (with Suspension Unit) Date of Issue: 23/03/17

Order No: _____ Issue: A

| Item | Unit Qty | Description | Part No. | Checked |
|------|----------|--|----------|---------|
| 1 | 1 | Glow Worm Assembly | 5112-120 | |
| 2 | 1 | BGF upright | 5071-056 | |
| 3 | 1 | Fixing pack | | |
| 4 | | | | |
| 5 | | | | |
| 6 | | | | |
| 7 | | Pre-assembled Panels | | |
| 8 | 2 | T-Shaped Seats * | 3726-105 | |
| 9 | 2 | Fixing Locator * | 3756-178 | |
| 10 | 1 | Spacer Panel * | 3756-204 | |
| 11 | | | | |
| 12 | | | | |
| 13 | | | | |
| 14 | | | | |
| 15 | | | | |
| 16 | | | | |
| 17 | | | | |
| 18 | | | | |
| 19 | | | | |
| 20 | | | | |
| 21 | | | | |
| 22 | | | | |
| 23 | | | | |
| 24 | | Items marked * to be fitted before despatch | | |
| 25 | | | | |

Total No. of Items

Picked By: _____ Checked By: _____

| | | | | | | | |
|-----------------|---------|----------|------------|--|--|--|--|
| COMPILED BY: MC | REV | 0 | 1 | | | | |
| | ECN No. | 1761 | Minor | | | | |
| DATE: 23/03/17 | DATE | 23/03/17 | 28/11/2017 | | | | |
| | SIGN | MC | MC | | | | |

FIXINGS LIST

Product: 6060-109 Glow Worm (with Suspension Unit) Date of Issue: 23/03/17

Order No: _____ Issue: A

| Item | Unit Qty | Description | Part No. | Checked |
|------|----------|---------------------------|----------|---------|
| 1 | 2 | 460mm Spragging Iron | 3030-310 | |
| 2 | 4 | M20 x 55 HT Hex Head Bolt | 2175-181 | |
| 3 | 4 | M20 Washer | 2215-512 | |
| 4 | 4 | M20 Spring Washer | 2212-206 | |
| 5 | | | | |
| 6 | | | | |
| 7 | | | | |
| 8 | | | | |
| 9 | | | | |
| 10 | | | | |
| 11 | | | | |
| 12 | | | | |
| 13 | | | | |
| 14 | | | | |
| 15 | | | | |
| 16 | | | | |
| 17 | | | | |
| 18 | | | | |
| 19 | | | | |
| 20 | | | | |
| 21 | | | | |
| 22 | | | | |
| 23 | | | | |
| 24 | | | | |
| 25 | | | | |

Total No. of Items

Picked By: _____ Checked By: _____

| | | | | | | | |
|-----------------|---------|----------|------------|------------|--|--|--|
| COMPILED BY: MC | REV | 0 | 1 | 2 | | | |
| | ECN No. | 1761 | Minor | Minor | | | |
| DATE: 23/03/17 | DATE | 23/03/17 | 07/06/2017 | 12/07/2017 | | | |
| | SIGN | MC | MC | MC | | | |

DESPATCH LIST

Product: 6060-909 Glow Worm (with Suspension Unit) - BARK Date of Issue: 23/03/17

Order No: Issue: A

| Item | Unit Qty | Description | Part No. | Checked |
|------|----------|--|----------|---------|
| 1 | 1 | Glow Worm Assembly | 5112-120 | |
| 2 | 1 | BGF upright - Bark | 5071-057 | |
| 3 | 1 | Fixing pack | | |
| 4 | | | | |
| 5 | | | | |
| 6 | | | | |
| 7 | | Pre-assembled Panels | | |
| 8 | 2 | T-Shaped Seats * | 3726-105 | |
| 9 | 2 | Fixing Locator * | 3756-178 | |
| 10 | 1 | Spacer Panel * | 3756-204 | |
| 11 | | | | |
| 12 | | | | |
| 13 | | | | |
| 14 | | | | |
| 15 | | | | |
| 16 | | | | |
| 17 | | | | |
| 18 | | | | |
| 19 | | | | |
| 20 | | | | |
| 21 | | | | |
| 22 | | | | |
| 23 | | | | |
| 24 | | Items marked * to be fitted before despatch | | |
| 25 | | | | |

Total No. of Items

Picked By: Checked By:

| | | | | | | | |
|-----------------|---------|----------|------------|--|--|--|--|
| COMPILED BY: MC | REV | 0 | 1 | | | | |
| | ECN No. | 1761 | Minor | | | | |
| DATE: 23/03/17 | DATE | 23/03/17 | 28/11/2017 | | | | |
| | SIGN | MC | MC | | | | |

FIXINGS LIST

Product: 6060-909 Glow Worm (with Suspension Unit) - BARK Date of Issue: 23/03/17

Order No: Issue: A

| Item | Unit Qty | Description | Part No. | Checked |
|------|----------|---------------------------|----------|---------|
| 1 | 1 | 460mm Spragging Iron | 3030-310 | |
| 2 | 4 | M20 x 55 HT Hex Head Bolt | 2175-181 | |
| 3 | 4 | M20 Washer | 2215-512 | |
| 4 | 4 | M20 Spring Washer | 2212-206 | |
| 5 | | | | |
| 6 | | | | |
| 7 | | | | |
| 8 | | | | |
| 9 | | | | |
| 10 | | | | |
| 11 | | | | |
| 12 | | | | |
| 13 | | | | |
| 14 | | | | |
| 15 | | | | |
| 16 | | | | |
| 17 | | | | |
| 18 | | | | |
| 19 | | | | |
| 20 | | | | |
| 21 | | | | |
| 22 | | | | |
| 23 | | | | |
| 24 | | | | |
| 25 | | | | |

Total No. of Items

Picked By: Checked By:

| | | | | | | | |
|--------------|----------|---------|----------|------------|------------|--|--|
| COMPILED BY: | MC | REV | 0 | 1 | 2 | | |
| | | ECN No. | 1761 | Minor | Minor | | |
| | | DATE | 23/03/17 | 07/06/2017 | 12/07/2017 | | |
| DATE: | 23/03/17 | SIGN | MC | MC | MC | | |