

DELIVERY LIST		
Part No.	Description	Qty
5112-005	Major Column Assy (Ground Fix)	1
5112.102	Major Plank Assy	1
3745-001	Fibre Washer	4
3074-250	Link Pin	4
3200-108	Long Inner Clamping Strip	2
3200-181	Short Inner Clamping Strip	2
	Fixings Pack	1

ROCKERPLAY	
LINK NON BUMP SEE-SAW	
PROD CODE:	6060-002(Ground)
SIZE:	460 x 950 x 3875
AGE RANGE:	8 – 14 years
FREE FALL HEIGHT:	1350 mm
WEIGHT OF HEAVIEST PART	75 Kg
OVERALL WEIGHT OF UNIT	190 Kg

### SPECIFICATON

The unit shall be fabricated from MS sheet to BS 1449, MS tubing to BS 1387. Casting of grey cast iron to BS 1452.

All Metal components will be protected with low lead powder paint (within the meaning of the Toy And Safety Regulations 1367 of 1974 and Pencil and Graphics Regulations).

### INSTALLATION INSTRUCTIONS

1. Read installation instructions thoroughly before commencing erection of unit.
2. Excavate foundations in accordance with foundation plan (Fig. 1).
3. Place Column Assy (A), into prepared foundation, with stanchions on a standard house brick that is frog side down, set to dimensions shown in Fig. 1.
4. Lay straight length of wood across top of bearing housings and measure from underside of this to ground. Raise or lower unit to achieve correct dimension and square up with a spirit level.
5. Back-fill foundations with concrete ensuring top surface is flat and flush with ground level for ground fixing, or for bark a mound approx. 200 mm above ground level . Concrete for 0.3m cube:  
4 Parts Gravel  
2 Parts Sand

6. Remove column guard Assy (F) from Plank Assy (B), by removing 6 off M8 screws (R) and washers (S) (see Fig. 4b).
7. Separate End Guards (H), and Side Guards (G) leaving Gasket (M) still attached to guards. Note: ensure Gasket is not damaged when moving guards.
8. Fit Gasket Assy (M), over column Assy top (some stretching of gasket hole required for links to pass through), and fit gasket to underside of angles using 2 off Short Inner Clamping Strip (J), and 2 off Long Inner Clamping Strips (I), 12 off M8 x 16 Lg screws (N) and M8 washers (Q) (see Fig. 4c).
9. Fit plank to Column Assembly using 4 off Link Pins (D), 4 off Fibre Washers (C) and 4 off 3/4" BSW self locking nuts (E) (see Fig. 3). Note: Fibre washers must be fitted between the machined faces of the casting and links – it may be necessary to fit two washers on one side only. When installed correctly there



should be 750 mm from finished surface level to the top of the seat.

10. Fit Side Guards (G) to Plank Assy (B) using 6 off M8 x 30 Lg Socket Button Head Screws (R).

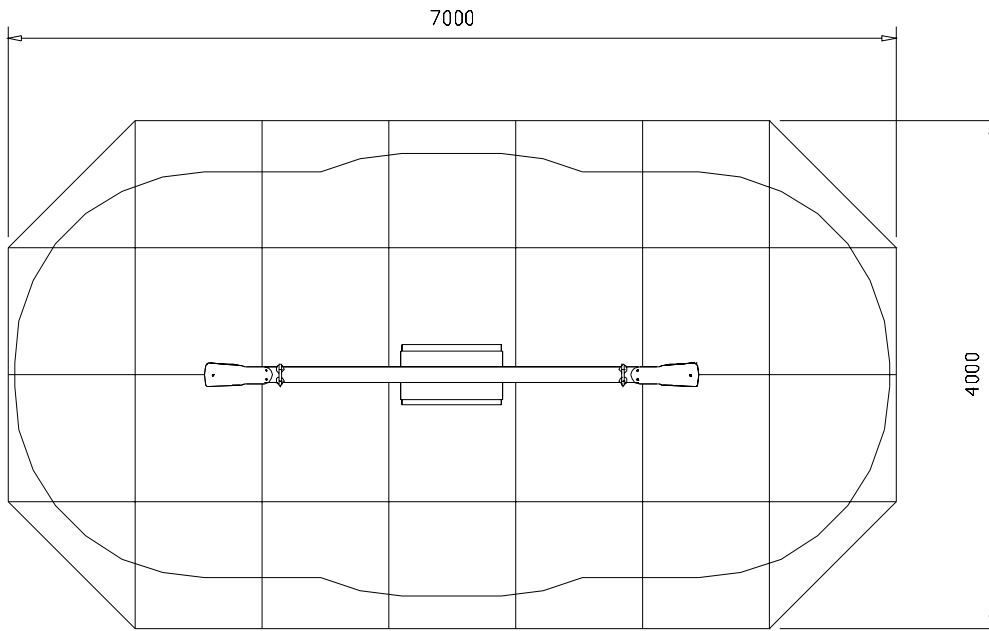
11. Fit End Guards To Side Guards using 8 off M6 x16 Button Head Screws and 8 off M6 Washers.

12. All protruding screw threads must be peened over to remove sharp edges.

13. Prevent use of equipment until concrete has fully set (96 Hrs.)

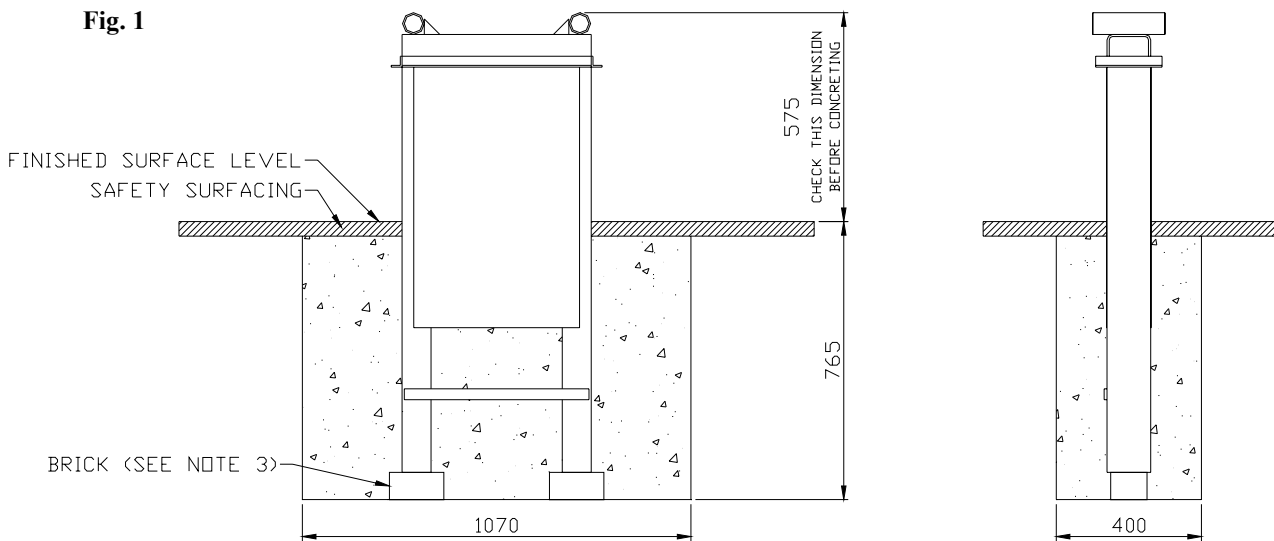
14. Note:-Ensure all installation aids are removed before first use.

### SURFACING & FREE SPACE DETAIL



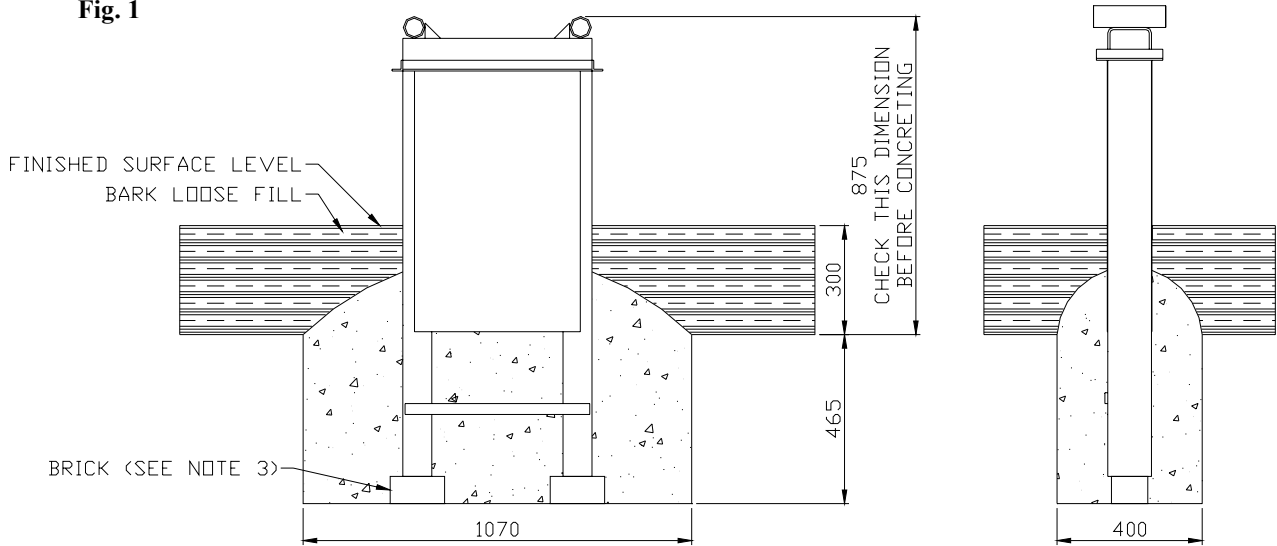
### FOUNDATION DETAIL (GROUND FIXING) (Care must be taken under abnormal conditions)

Fig. 1



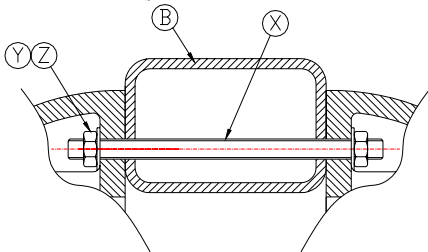
**FOUNDATION DETAIL (BARK FIX)**  
 (Care must be taken under abnormal conditions)

**Fig. 1**

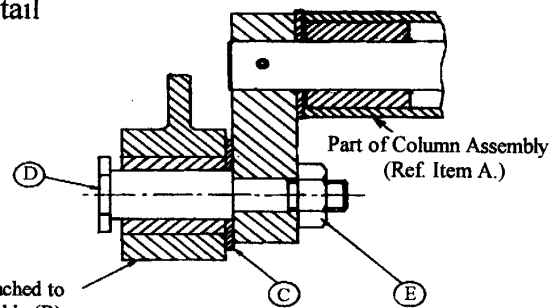


**FIXING DETAILS FOR MAINTENANCE**

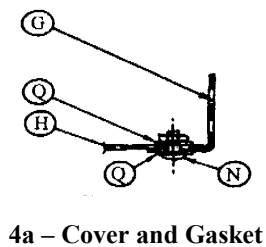
**Fig.2 Casting To Plank Assembly Detail**



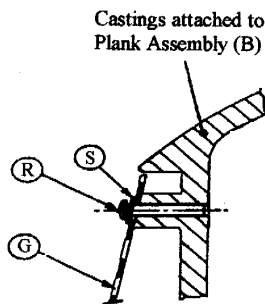
**Fig. 3 Link Assembly Detail**



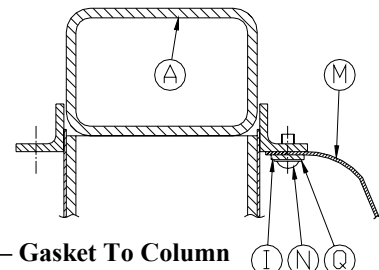
**Fig. 4 Column Guard Assembly Details**



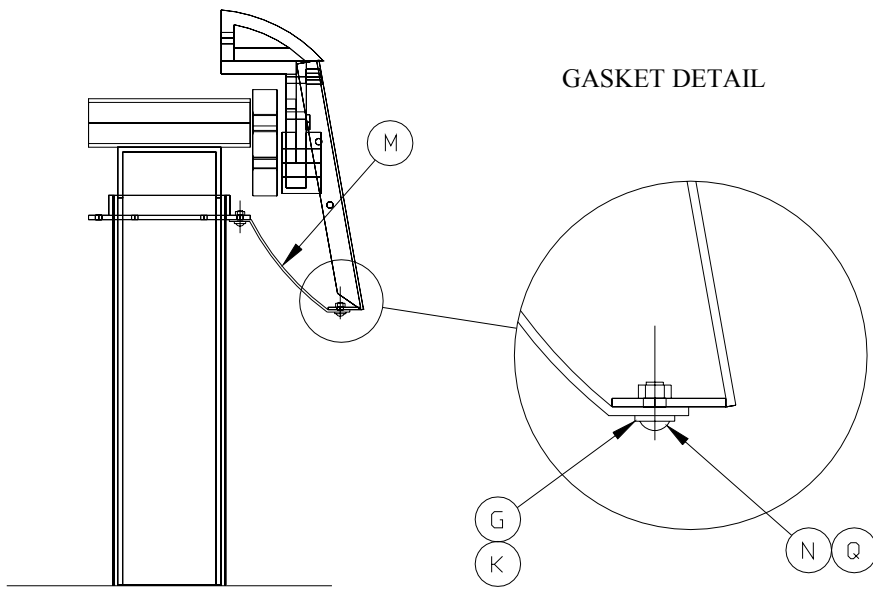
**4a - Cover and Gasket**



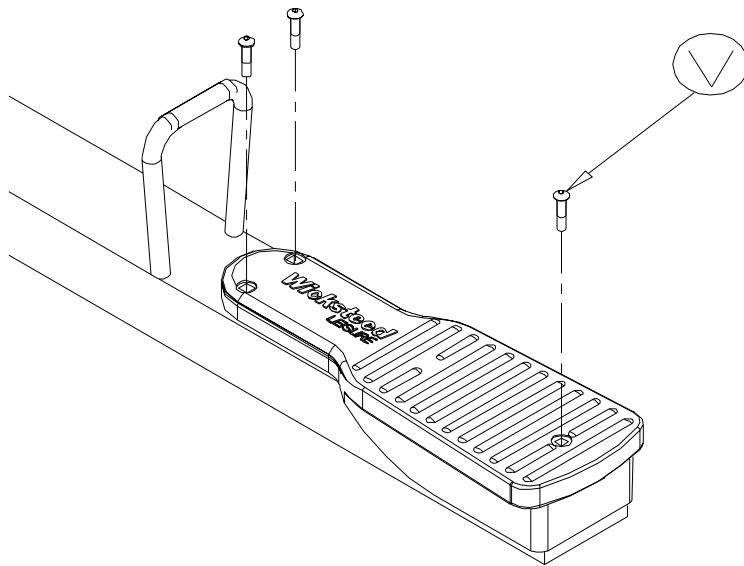
**4b - Top Fixings (Side)**



**4c- Gasket To Column Angles**




SEAT TO PLANK



REF	QTY	DESCRIPTION	PART No
A	1	Major Column Assy (Ground Fix)	5112-005
B	1	Major Plank Assy	5112-102
C	4	Fibre Washer	3745-001
D	4	Link Pin	3074-250
E	4	3/4" BSW Binx Locking Nut	2141-106
F	1	Column Guard Assy (Items G & H)	4200-550
G	2	Side Guard	3284-001
H	2	End Guard	3200-361
I	2	Long Inner Clamp Strip	3200-180
J	2	Short Inner Clamp Strip	3200-181
K	2	Long Outer Clamp Strip	3200-178
L	2	Short Outer Clamp Strip	3200-179
M	1	Gasket Assy	4200-245
N	36	M8 x 16 Button Head Screw	2176-151
Q	36	M8 Washer	2215-507
R	6	M8x30 Button Head Screw	2172-160
S	6	M8 Washer	2215-507
T	2	Plastic Seat	3752-006
V	6	M10 x 40 Pentagon Button Head	2176-133
X	4	M12 HT Studding Cut 2000mm Long	3033-110
Y	8	M12 Nyloc Nut	2192-008
Z	8	M12 Plain Washer	2215-509
AA	1	M8 Pentagon Key	2372-003
AB	1	M10/M12 Pentagon Key	2372-008

Note:-All spare parts are available from Wicksteed Leisure on request.

For general maintenance instructions see separate sheet.

	COMPILED	APPROVED	REV	11	12	13	14	15	16
	NLG		ECN	1402	1413	1428	minor	1453	minor
	DATE:	DATE:	SIG.	PK	PK	SB	SB	SB	SB
	9.8.99		DATE.	07/02/02	08/05/02	16/04/03	10/06/03	11/07/03	28/07/05









