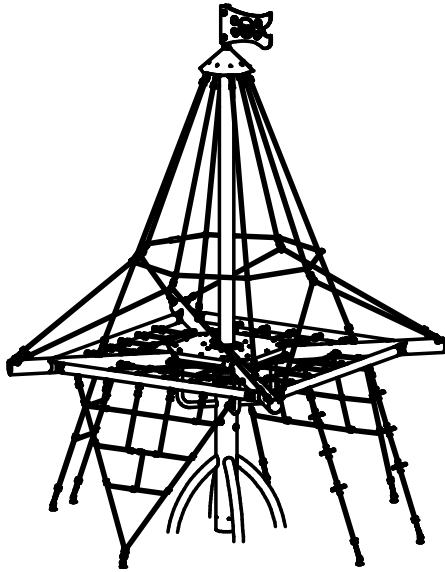


# Installation Instructions



## Wicksteed Armada Pirate's Lair (4m)

PROD. CODE	6030-079
SIZE	3.15x3.15x4.28m
AGE RANGE	Junior to Adult
F/ FALL HEIGHT	1.5m
HEAVIEST PART	175 Kg
TOTAL WEIGHT	485 Kg Approx



100 YEARS OF PLAY  
• SINCE 1918 •

1. Read instructions thoroughly before commencing installation of unit.
2. Lifting equipment / scaffold tower will be required to install this unit.
3. Excavate foundations as shown in the foundation plan.
4. Position the central upright in the excavated hole and check it is vertical at the correct height with correct alignment. Position chains (item 30) through excavations for nets & climbers  
**In case of sandy and soft soils, the surface measure of foundations have to be enlarged for 50%.**
5. Backfill foundations for main support post with approx 1.0 m<sup>3</sup> concrete (4 parts gravel/2 parts sand/1 part rapid cement) ensuring that the main support post remains vertical and aligned.
6. Position Bark below ground fixings with spragging irons on brick to dimensions shown in foundation details.
7. backfill foundations for thr Bark below ground fixings & spragging irons (items 52 & 53) with approx 0.4 m concrete (4 parts gravel/2 parts sand/ 1 part rapid cement.
8. Allow concrete to set for at least 48 hours.
9. REMOVE INSTALLATION AIDS
10. Assemble cross beams item 10 using fasteners ( 24, 26, 37 & 44). See details B & C
11. Assemble support beams (items 3, 4, 8 & 9) with infill block (item 27) using fasteners (10, 19 & 41). See details B & D.
12. Assemble top mast (item 11) and retain using fasteners (26 & 36). See detail E

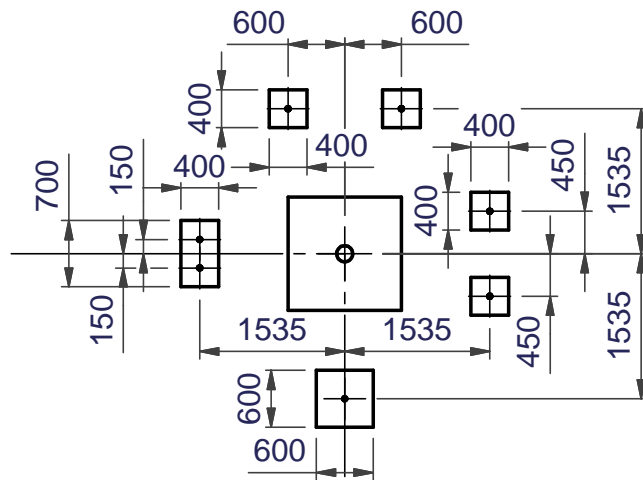
Note:- 1. Ensure all installation aids are removed before first use.

2. Lifting Equipment or sufficient manpower should be used throughout installation.

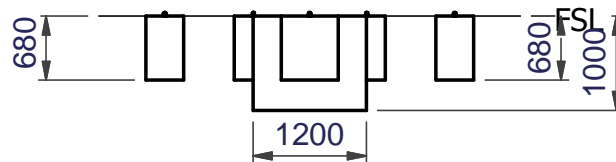
13. Assemble floor panels (item 5) using fasteners (19, 21 & 22). See detail E.
14. Assemble infill angle (item 17) to underside of platform using fasteners (39, 43 & 47)
15. Fit horizontal nets (item 16) using fasteners (38, 43 & 46). See details F & G.
16. Fit top plate (item 2) using fasteners (39 & 46) 2 off each diagonally opposite, then fit flag pole (item 7) using fasteners (39 & 46) in the remaining 2 tapped holes in the top plate. See detail F & H.
17. Fit support rope assy (item 17) using fasteners (38, 43 & 46) at the top & bottom. Chain links may be removed at the top & bottom to tension the ropes. See details G & H
18. Assemble top final (item 6) over flag pole retain using fasteners (35, 37, 44 & 48) fit flag (item 21) using fasteners (items 28, 31, 33, 40 & 42). See detail J.
19. Fit Climbing Nets / Climbers / Ladder to Support Beams using fasteners (12, 13 & 51). Attach lower ropes to ground anchor chains using rapid link (item 31) removing surplus chain links to obtain the required tension. See detail K & L.
20. Fit Climbing Triangular Net (item 10) to Support Beam (item 42) using fasteners (20, 21 & 51). Attach lower chain to ground anchor using belt shackle (item 43). See detail M.

Foundation Detail

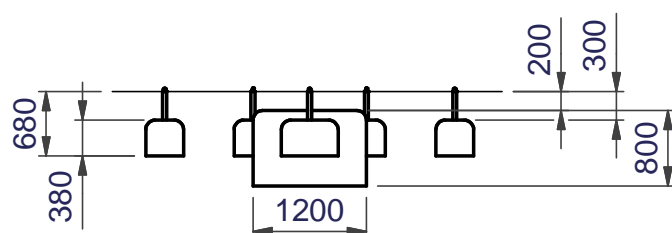
(Care must be taken in abnormal conditions)



Wet Pour Foundations

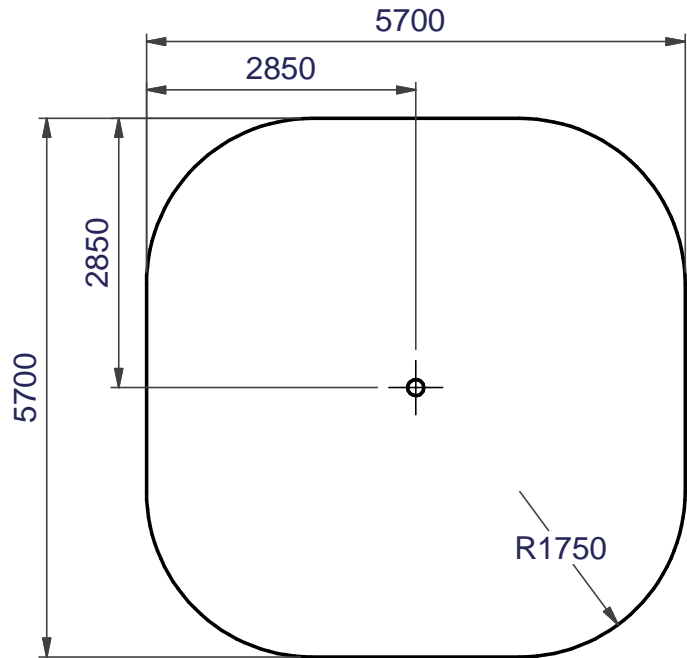


Bark Foundations

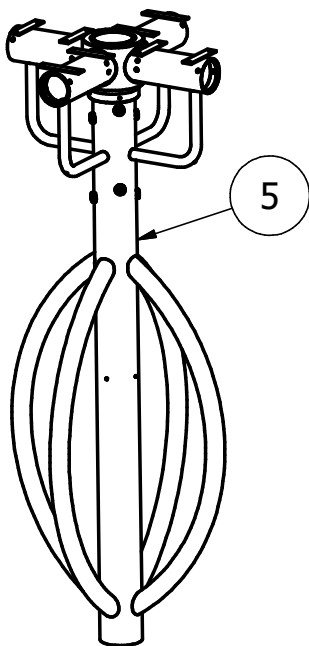
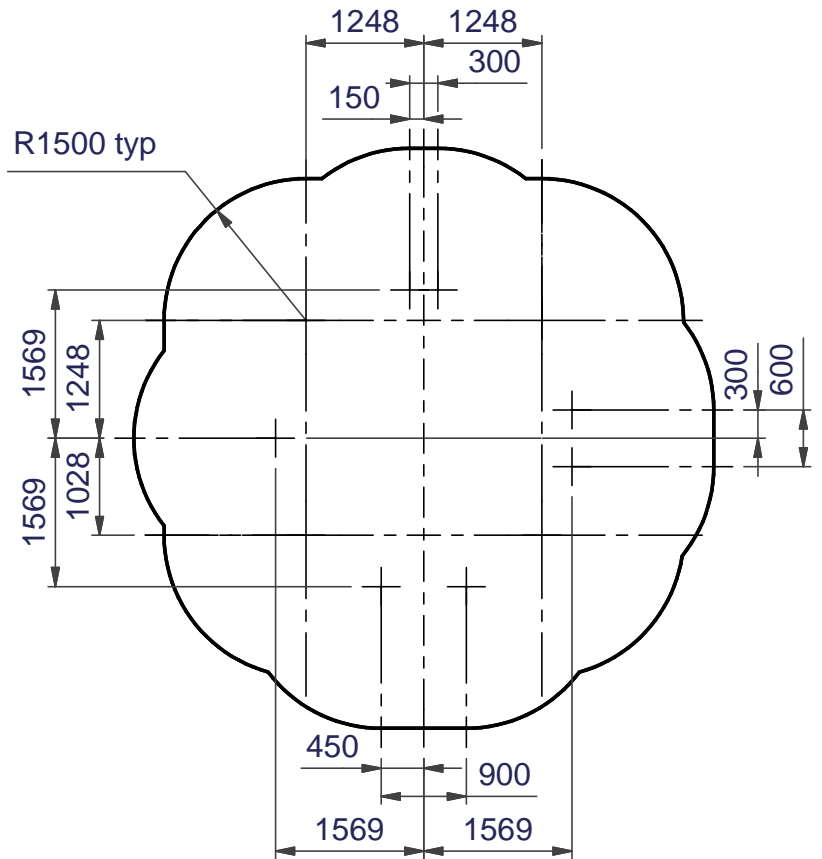


FSL = Finished Surface Level

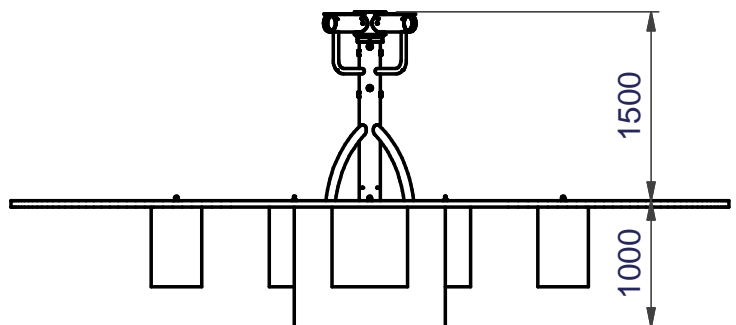
Safety Surfacing - Wet Pour  
 Thickness = 60mm  
 Area = 30 square meters  
 Perimeter = 20 meters

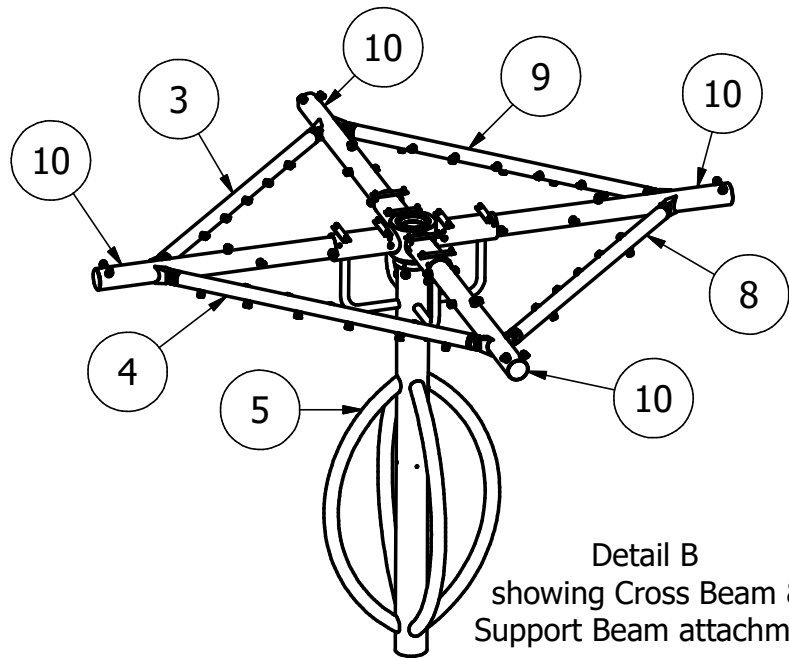


Free Space Requirement

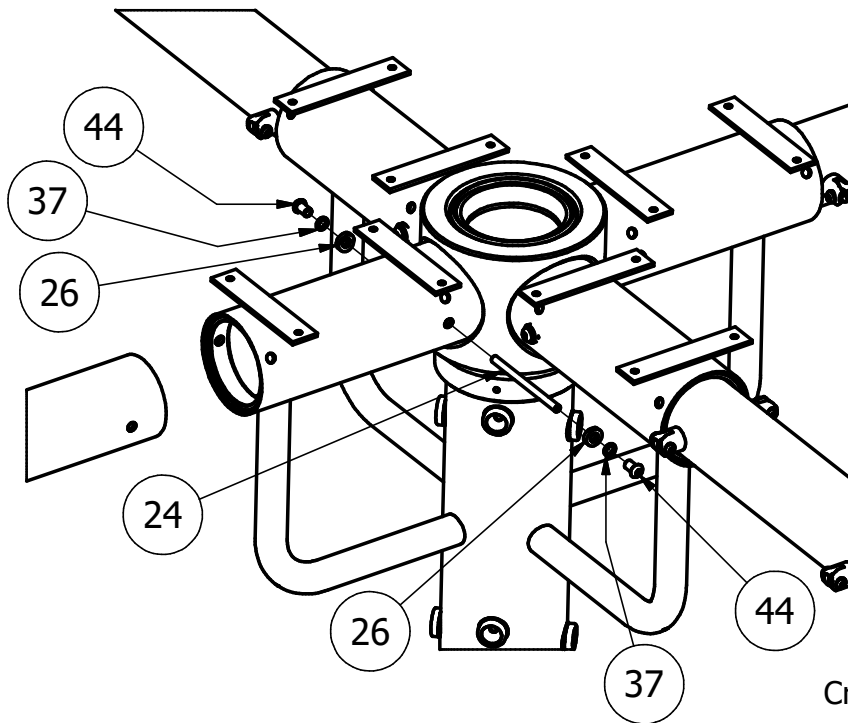


Detail A  
 Main Mast W.A.

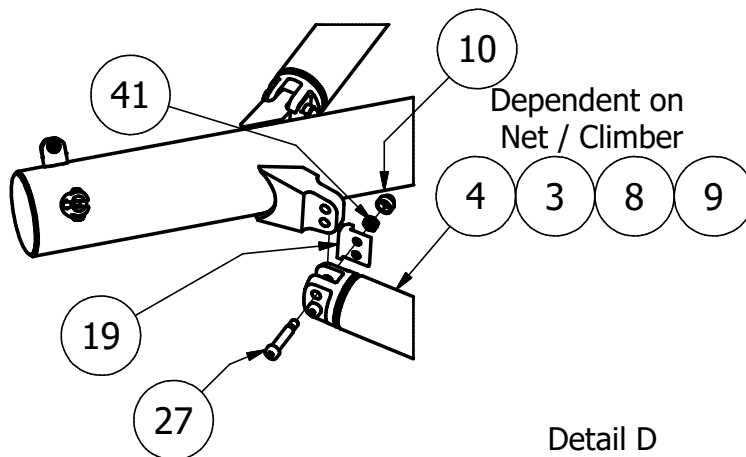




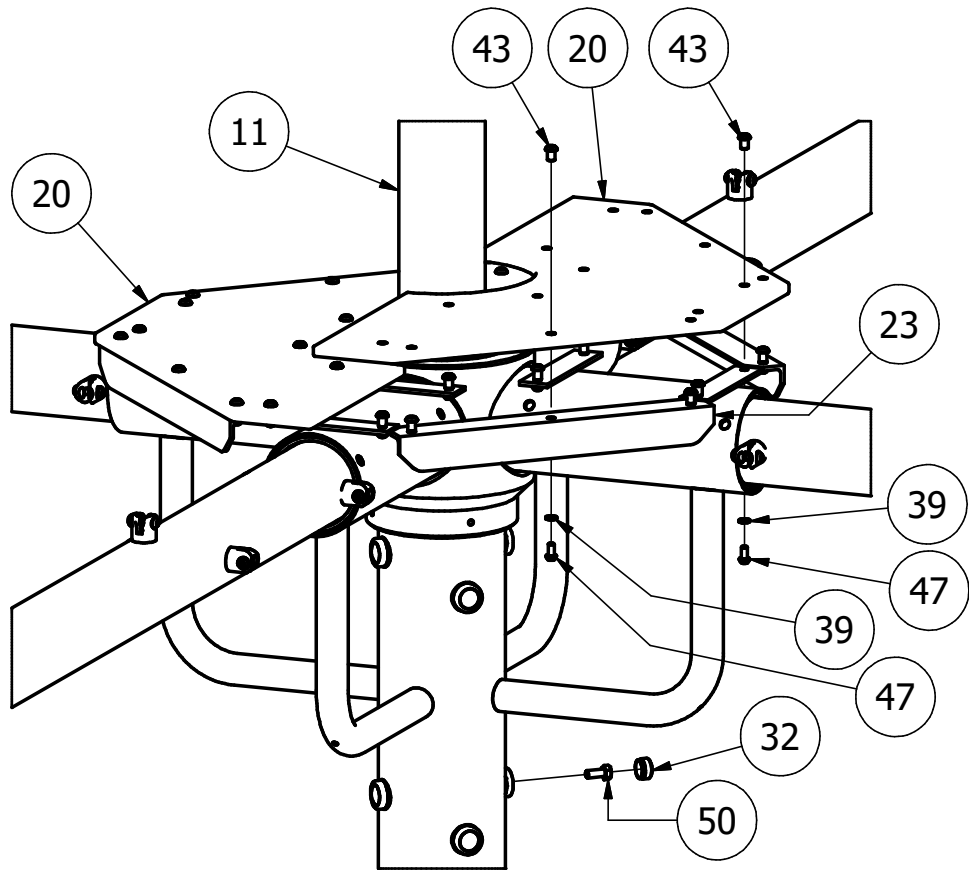
Detail B  
showing Cross Beam &  
Support Beam attachment



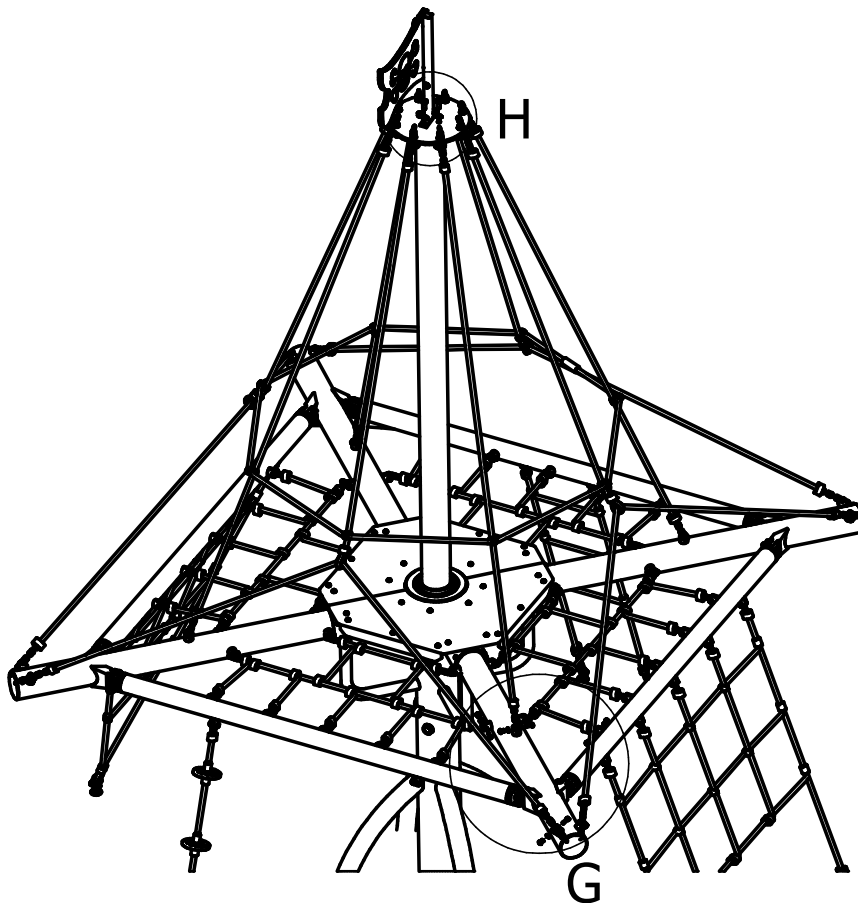
Detail C  
showing  
Cross Beam attachment



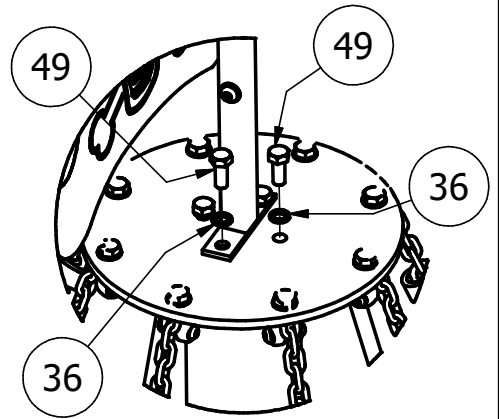
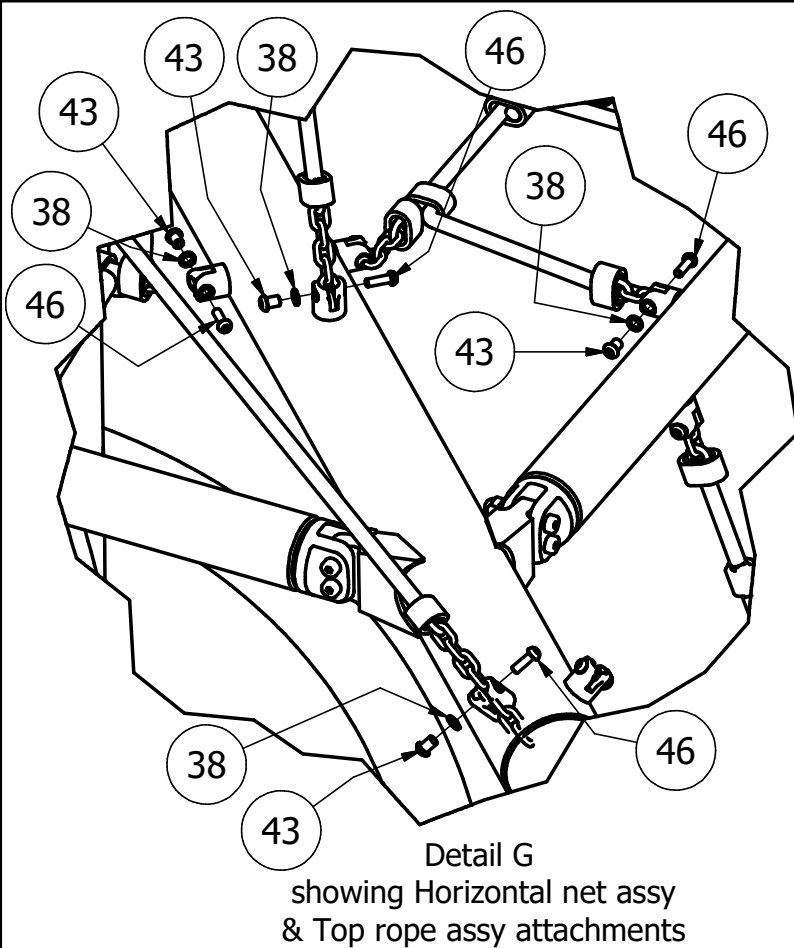
Detail D  
showing  
Support Beam attachment



Detail E  
showing  
Top Mast & Platform attachment



Detail F  
showing Horizontal Nets & Top Rope Assy  
attachment details shown in details G & H

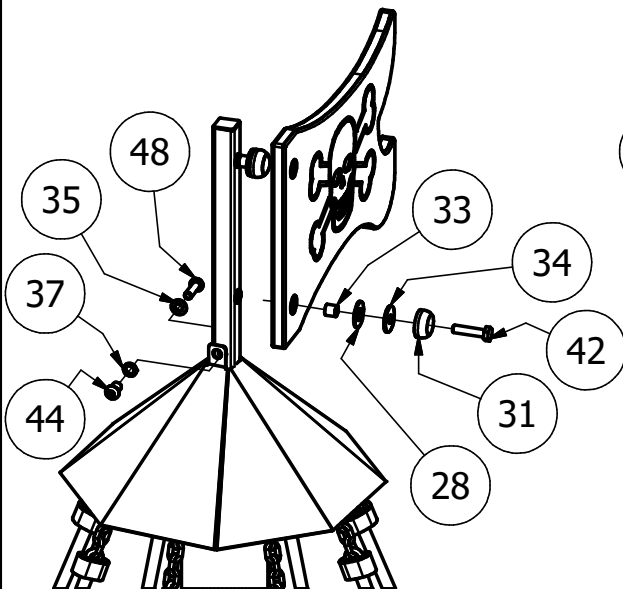


Detail H  
showing Top rope assy  
& flag pole attachment

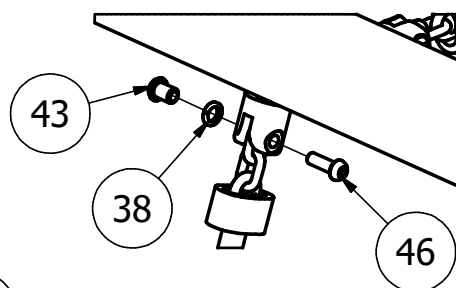
Detail G  
showing Horizontal net assy  
& Top rope assy attachments

Notes

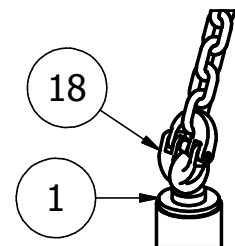
1. Item 15 Horizontal net assembly.  
Chain links on each side of the net to be removed to obtain tension in the net.
2. Item 14 Rope assembly.  
Chain links at top & bottom of each rope within the assembly to be removed to obtain tension in each rope.



Detail J  
showing  
Flag & Pole attachment

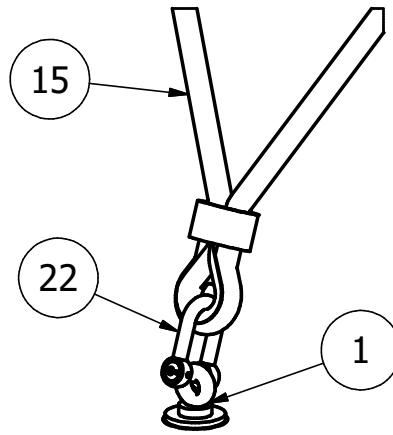


Detail K  
showing  
Typical Net attachment to  
Support Beam



Detail L  
showing  
Typical Net attachment to  
Ground Anchor Chain.

Chain links to be removed at ground level to obtain tension of net where required.



Detail M  
showing Triangular Net  
attachments to Ground Anchor Chain

Parts List

ITEM	QTY	PART NUMBER	DESCRIPTION
1	7	5071-026	BARK BELOW GROUND FIXING
2	1	4202-781	Cable Mounting Plate W.A.
3	1	4202-696	Support Beam WA - Ladder
4	1	4202-695	Support Beam WA - Tapered Net
5	1	4202-694	Main Mast W.A.
6	1	4202-693	Top Final (Octagon)
7	1	4202-692	Flag Pole W.A.
8	1	4202-688	Support Beam W.A. - Climber
9	1	4202-687	Support Beam - Net
10	4	4202-683	Cross Beam W.A.
11	1	4202-682	Top Mast W.A.
12	1	4141-198	Climber Net Assembly
13	1	4141-197	Ladder Net Assembly
14	2	4141-196	Vertical Rope Assembly
15	1	4141-195	Climber Triangular Net Assembly
16	4	4141-190	Horizontal Net Assy
17	1	4141-188	Top Rope Assy
18	6	4061-237	Shackle Link Assembly
19	8	3756-230	Infill Block - Crossbeam
20	2	3756-138	Floor Panel

## Parts List

ITEM	QTY	PART NUMBER	DESCRIPTION
21	1	3755-803	FLAG PANEL
22	1	3621-002	BELT SHACKLE
23	4	3110-110	Infill Angle
24	4	3033-334	Studding M10 x150 Lg
25	7	3031-010	SPRAGGING IRON
26	8	3030-497	Saddle Washer
27	16	2900-135	Shoulder Bolt Ø12-M10x45
28	2	2900-041	NEOPRENE WASHER
29	2	2613-015	M8 Protective Cap
30	16	2613-014	M10 Protective Cap
31	2	2611-031_Cup	Black Poepplemann Cup
32	10	2611-031_Cap	Black Poepplemann Cap
33	2	2472-009	FIXING SPACER (15 panel)
34	2	2215-519	Wicksteed Washer
35	1	2215-508	M10 Washer
36	4	2212-213	M12 NORD LOCK WASHER
37	9	2212-204	M12 Spring Washer
38	71	2212-203	M10 Spring Washer
39	30	2212-202	M8 Spring Washer
40	2	2192-001	M8 Nyloc Nut
41	16	2191-010	M10 Binx Nut
42	2	2185-037	M10 x 45 Hex Head Bolt
43	99	2177-004	M8 Short Safety Fastener
44	9	2177-002	M10 Safety Fastener
45	2	2176-155	M8 x 45 Pent Button Head
46	71	2176-152	M8 x 25 Pent Button Head
47	28	2176-151	M8 x 16 Pent Button Head
48	1	2176-127	M10 x 35 Pent Button Head
49	4	2175-135	M12 x 30 HEX HD BOLT
50	8	2175-115	M10 x 25 LG HEX HD SCREW