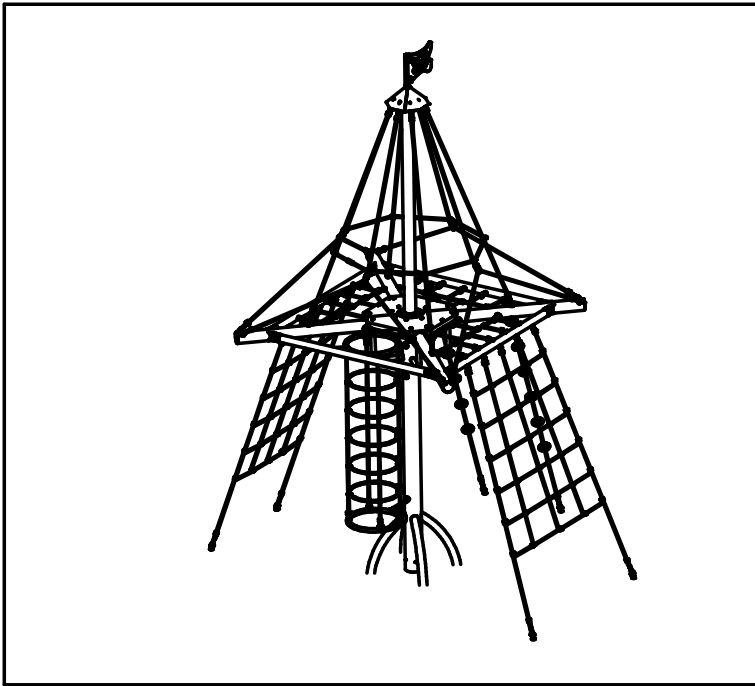


Specification Sheet



Wicksteed Armada Pirate's lair (5m)

PROD. CODE	6030-078
SIZE	3.31x4.03x5.65
AGE RANGE	Junior to Adult
F/ FALL HEIGHT	2.75 m
HEAVIEST PART	205 Kg
TOTAL WEIGHT	530 Kg

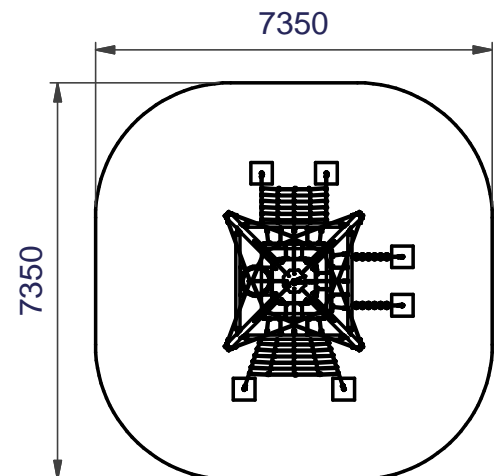


Surfacing Details

Surfacing	Size/Quantity
Minimum Space	Ø5100
Wetpour Area	49 Sq Metres of 130mm Thk
Wetpour Linear Edging	25.5 Metres
Grass Mats (1500x1000mm)	-
Tiles (1000x1000mm)	-
Tiles Linear Edging	-

Specification Details

Material	Specification
Circular Hollow Section (CHS)	EN 10219: 1997
Rectangular Hollow Section (RHS)	EN 10219: 1997
Mild Steel Plate	EN 10025: 2004
Mild Steel Bar	EN 10087: 1998
Stainless Steel Tube/Plate/Bar	EN 10088-2: 2005
High Density Polyethylene (HDPE)	EN ISO 14632: 1998
Polyester Powder Paint	EN 13438: 2005
Welding	EN 14341: 2011
Standard Fixings	BS3692 & 4190:2001
Non Standard Anti-Vandal Fixings	Corrosion Resistant



Notes

1. Lifting equipment of sufficient manpower should be used throughout installation.