


ROTAPLAY FLY MOBILE	
PROD. CODE	6020-067 (GROUND FIXED) 6020-867 (BARK FIXED)
SIZE	DIA. 1000 x 2000 HIGH
AGE RANGE	8 TO 16
F/ FALL HEIGHT	2.0 m
HEAVIEST PART	70 kg
TOTAL WEIGHT	-
 WICKSTEED playscapes	

SPECIFICATION

Solid steel components to BS 970 Part 1 (1983)

Nominal bore tube (medium) to BS 1387

Aluminium casting made from LM6M

Standard fixings are plated and made to one of the following standards BS 3692 (1967) BS 4190 (1967)

Non-standard fixings are anti-vandal and corrosion resistant

Welds are from copper-free wire to BS EN 440 (1995)

Low lead polyester powder paint to BS 71 Part 3 (1995)

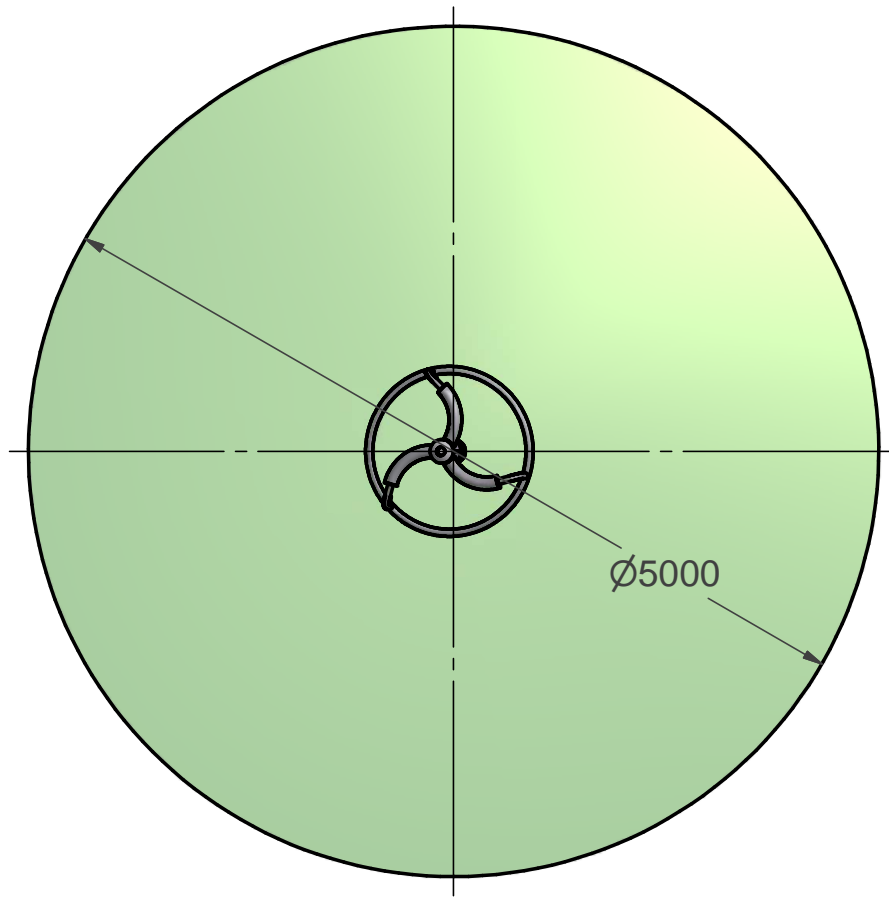
INSTALLATION INSTRUCTIONS

- 1 Read instructions thoroughly before commencing installation of unit.
- 2 Excavate foundations as shown in the foundation plan.
- 3 Position the unit on a 75mm brick (not supplied) in the excavated hole, ensuring it is plumb, square and at the correct height. Support the upright in the vertical position.
- 4 Backfill with 0.2 cubic metres concrete (4 parts gravel/2 parts sand/1 part cement).
- 5 Allow concrete to set for 48 hours.
- 6 Ensure all installation aids are removed before first use.

Note

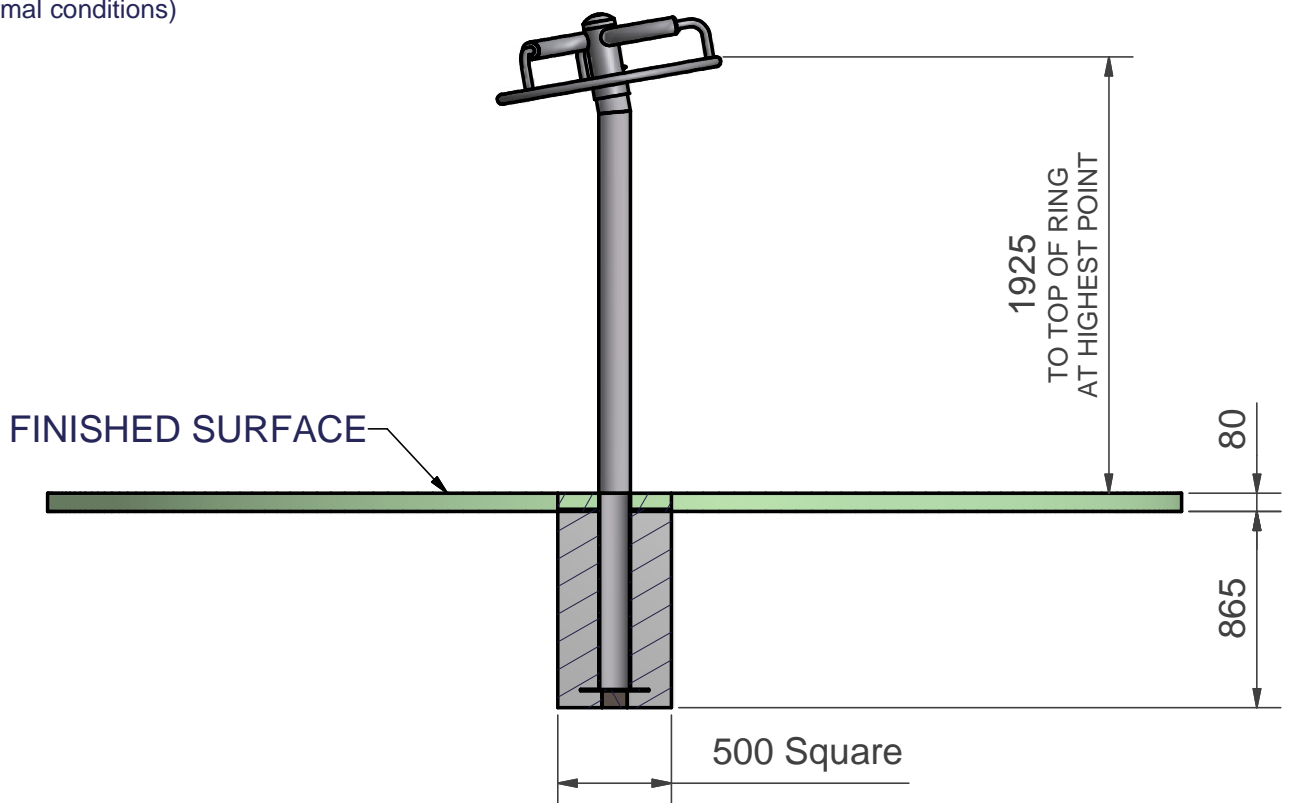
Note

SURFACING & FREE SPACE



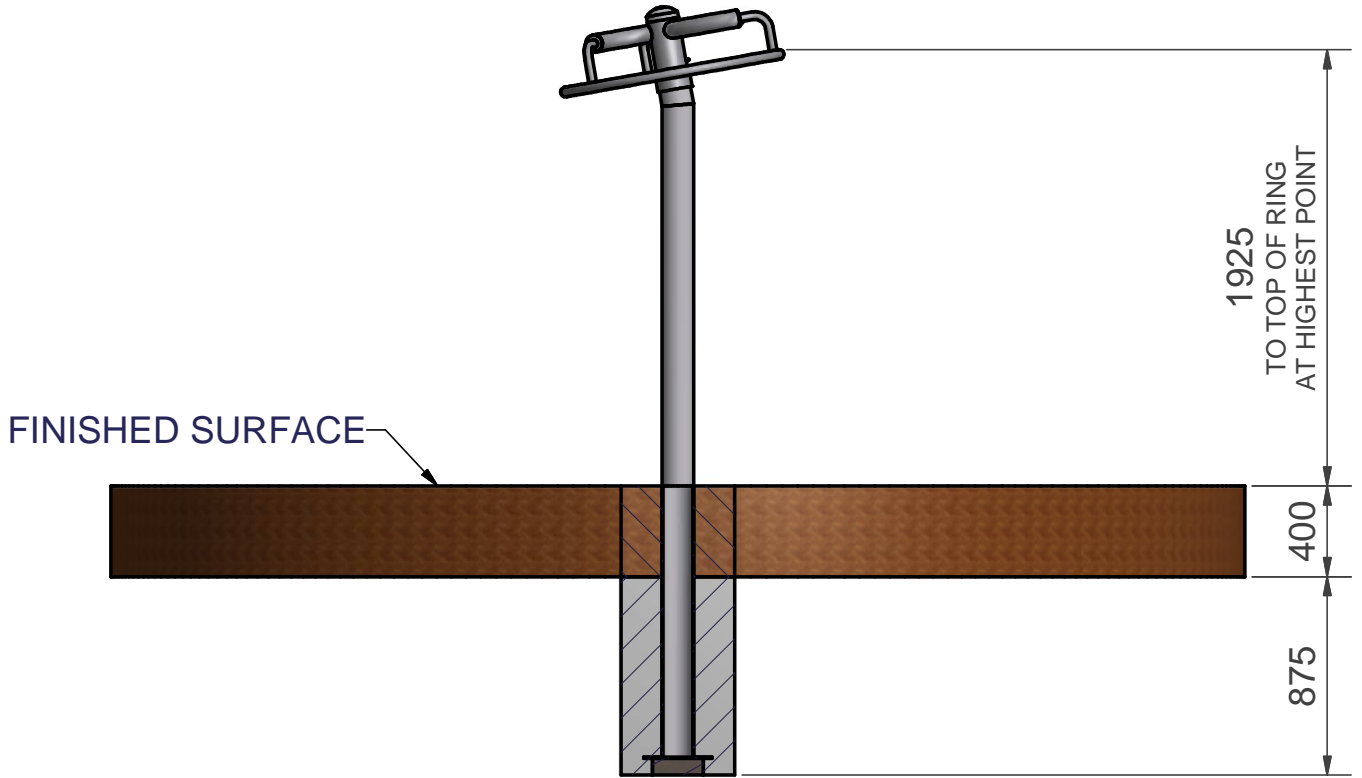
FOUNDATION DETAILS

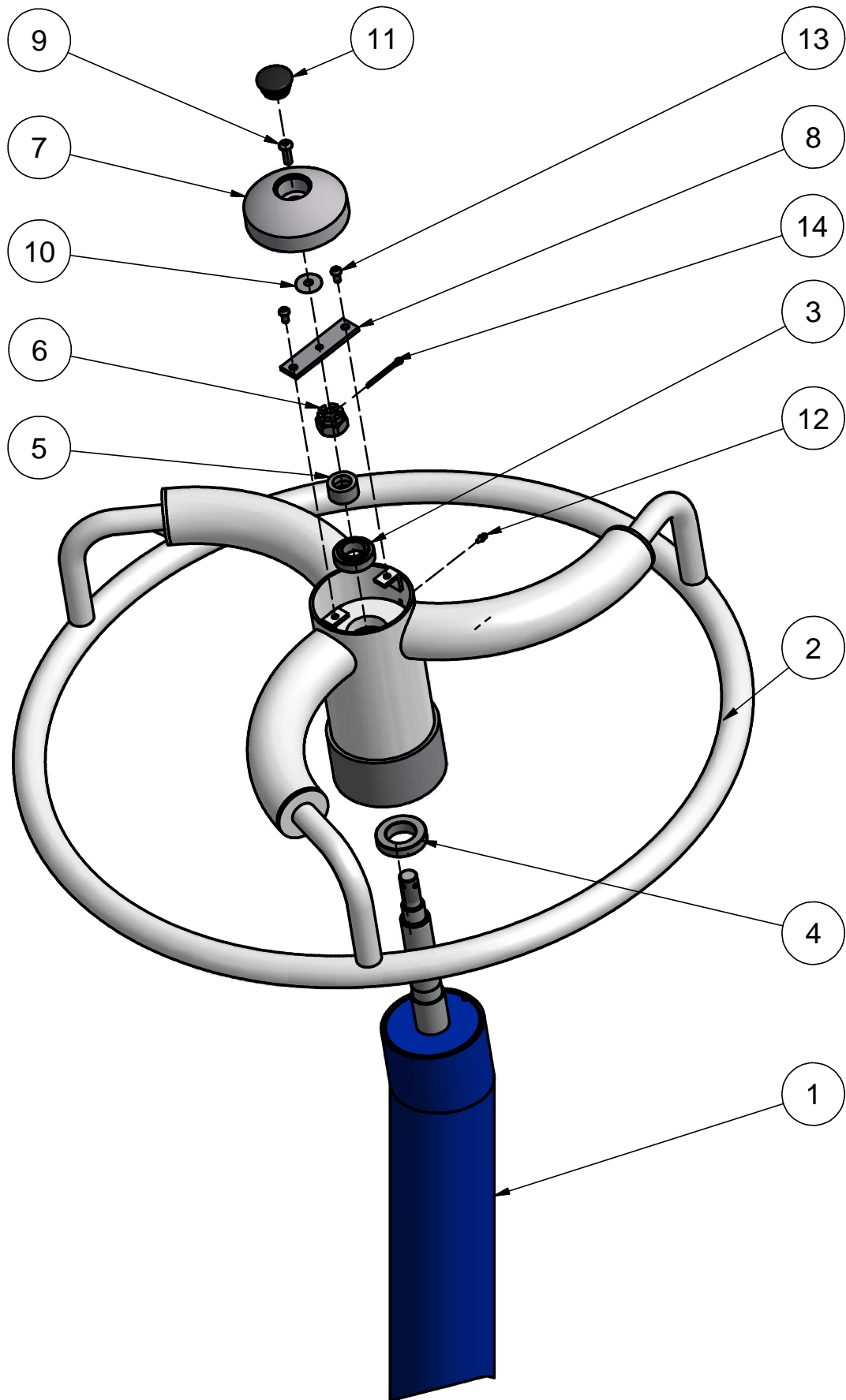
(Care must be taken under abnormal conditions)



FOUNDATION DETAILS - FOR BARK FIX

(Care must be taken under abnormal conditions)





Parts List			
ITEM	QTY	PART NUMBER	DESCRIPTION
1	1	4201-203	UPRIGHT ASSEMBLY
2	1	4131-008	BEARING HOUSING ASSEMBLY c/w OUTER RING
3	1	2546-004	TOP BEARING
4	1	2546-003	BOTTOM BEARING
5	1	3032-009	SPACER
6	1	2193-057	M24 Castle Nut
7	1	3711-030	ALUMINIUM CAP
8	1	3200-411	HANG GLIDER TOP CAP FIXING PLATE
9	1	2176-132	M10 x 30 Pent Button Head
10	1	2215-519	Wicksteed Washer
11	1	2611-002	Top Cap Plug
12	2	2691-004	¼" BSW GREASE NIPPLE
13	2	2176-151	M8 x 16 Pent Button Head
14	1	2221-008	3/16" x 2" Long Cotter Pin

FOR BARK FIX REPLACE ITEM 1 WITH			
ITEM	QTY	PART NUMBER	DESCRIPTION
1	1	4201-210	BARK FIXED UPRIGHT ASSEMBLY

COMPILED SB	REV	0	1	2					
	ECN	1536	1584	Minor					
DATE: 17/09/07	SIG.	SB	SB	MC					
	DATE:	17/09/07	31/03/09	15/11/18					

DESPATCH LIST

Product: ROTAPLAY FLY MOBILE

Code No: 6020-067

Date of Issue: 07/09/07

Order No:

Issue: A

Item	Unit Qty	Description	Part No.	Checked
1	1	UPRIGHT ASSEMBLY *	4201-203	
2	1	BEARING HOUSING ASSEMBLY c/w OUTER RING *	4131-008	
3	1	TOP BEARING *	2546-004	
4	1	BOTTOM BEARING *	2546-003	
5	1	SPACER *	3032-009	
6	1	M24 Castle Nut *	2193-057	
7	1	ALUMINIUM CAP *	3711-030	
8	1	HANG GLIDER TOP CAP FIXING PLATE *	3200-411	
9	1	M10 x 30 Pent Button Head Screw *	2176-132	
10	1	Wicksteed Washer *	2215-519	
11	1	Top Cap Plug *	2611-002	
12	2	¼" BSW GREASE NIPPLE *	2691-004	
13	2	M8 x 16 Pent Button Head Screw *	2176-151	
14	1	3/16" X 2" Long Cotter Pin *	2221-008	
		ITEMS MARKED* FITTED BEFORE DESPATCH		

Total No. of Items

Picked By:

Checked By:

COMPILED BY: SB	REV	0				
	ECN No.	1536				
DATE: 07/09/07	DATE	07/09/07				
	SIGN	SB				

