

ROTAPLAY	
CRAZY TWISTER	
PROD CODE:	6020-056
SIZE:	360mm dia.x1500 High
AGE RANGE:	8-12
FREE FALL HEIGHT:	1400mm
FREE SPACE:	1500mm
WEIGHT OF HEAVIEST PART	30 Kg
OVERALL WEIGHT OF UNIT	30 Kg

DELIVERY LIST		
Part No.	Description	Qty
	Crazy Twister Assembly	1
	Spragging Irons	2

SPECIFICATION

Solid steel components made from steel to BS 9070 Part 1 (1983)
 Nominal Bore Tube (medium) to BS 1387
 Welds are from copper free wire diameter 1mm to BS EN 440 (1995)
 Metal Parts coated with low lead polyester paint to BS EN 71 part 3 (1995)

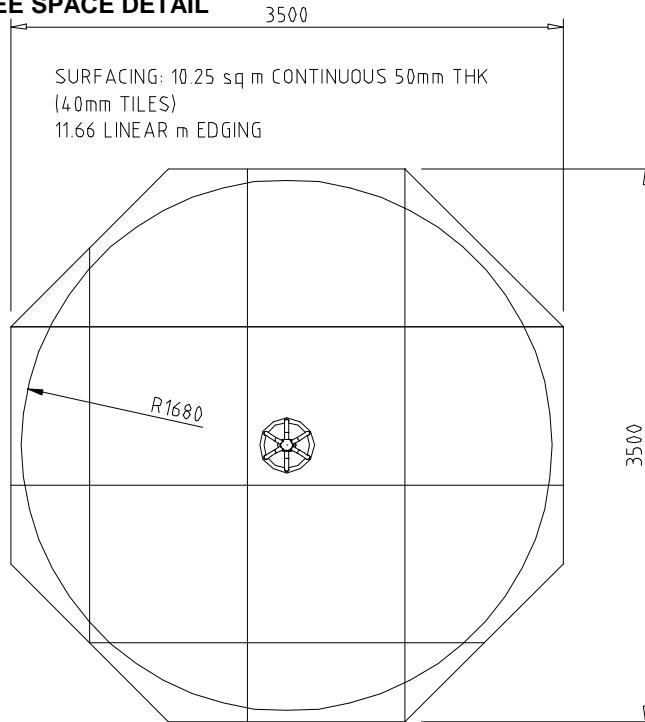
INSTALLATION INSTRUCTIONS

- 1 Read installation instructions through before commencing erection of unit.
- 2 Excavate foundations as shown on the foundation plan diagram.
- 3 Fit spragging irons into holes in upright.
- 4 Place unit in foundation hole, checking that the unit is at the correct angle & height, and is adequately supported.
- 5 Backfill the foundations with concrete, and allow 48 for foundations to set before first use.

Note: All protruding screw threads to be peened over to remove sharp edges.

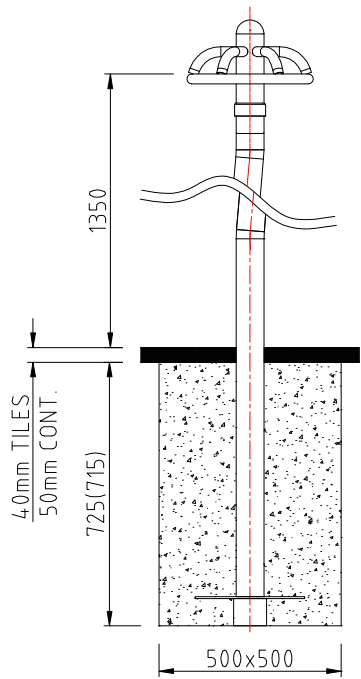
Note:-Ensure all installation aids are removed before first use.

SURFACING & FREE SPACE DETAIL

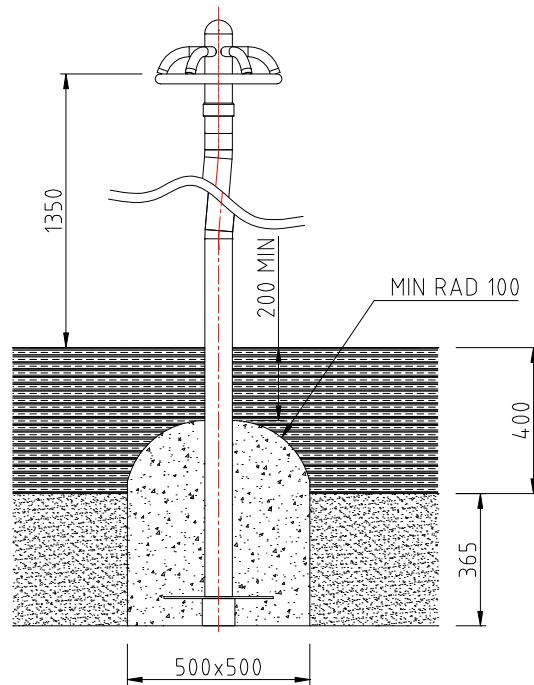


**FOUNDATION DETAIL
(Care must be taken under abnormal conditions)**

GROUND FIXED

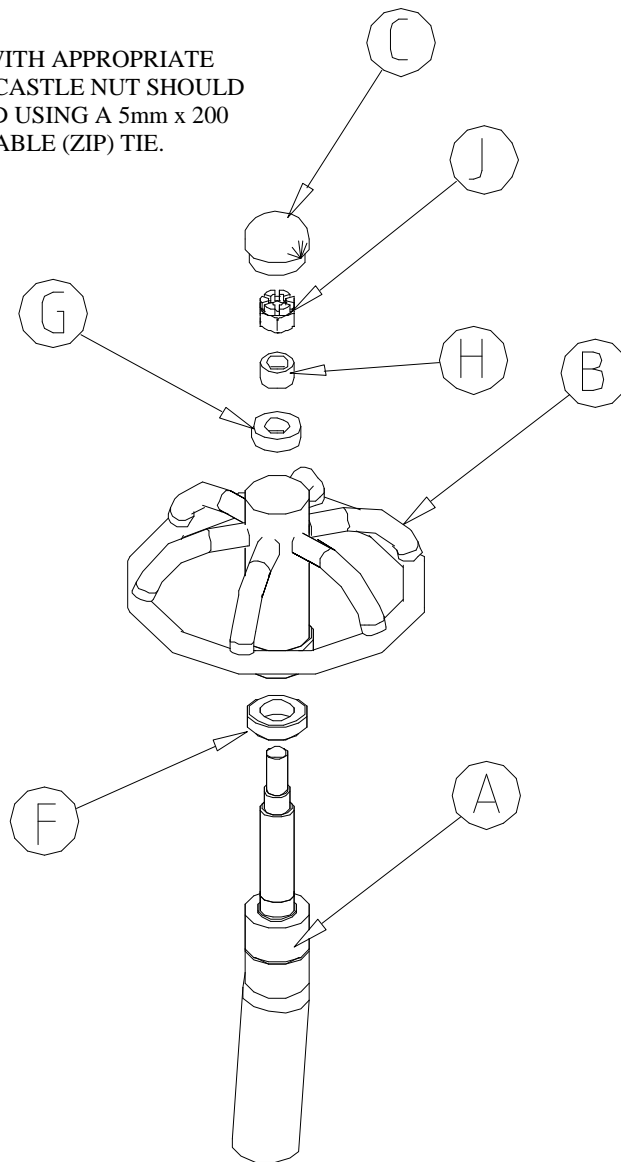


BARK FIXED



EXPLODED DIAGRAM FOR SPARES & MAINTENANCE

ONCE SET WITH APPROPRIATE
PRE-LOAD, CASTLE NUT SHOULD
BE SECURED USING A 5mm x 200
lg NYLON CABLE (ZIP) TIE.



REF	QTY	DESCRIPTION	PART No
A	1	Crazy Twister Upright Assembly	4200-752
B	1	Crazy Twister Handle Assembly	4200-754
C	1	Aluminium Top Cap	3711-002
D	2	M8 x 8 Cup point Grub Screw	2171-111
E	1	1/4" BSP Grease Nipple	2691-003
F	1	Bottom Bearing	2546-003
G	1	Top Bearing	2546-004
H	1	Spacer	3032-009
J	1	M24 Castle Nut	2193-057
K	1	5mmx200 Nylon Cable (Zip) Tie	
L	1	Nilos Ring 32006 X JV	2541-130
M	1	Nilos Ring 32008 X AV	2541-131

Note:-Before first use ensure unit has been installed to correct specifications, ground clearances have been achieved and all installation aids are removed.

Note:-All spare parts are available from Wicksteed Leisure on request.

For maintenance instructions see separate sheet.

Care must be taken in relation to specific hazards to children due to incomplete installation or dismantling, or during maintenance.

	COMPILED:	APPROVED :	REV	NEW	1	2	3	4
	P Kearney		ECN	1475	minor	minor	minor	Minor
	DATE:	DATE:	SIG.	PK	PK	SB	DB	AB
	15/7/04		DATE.	15/7/04	16/02/05	03/09/08	08/04/14	10/02/16

DESPATCH LIST

Product: Crazy Twister Code No. 6020-056 Date of Issue: 22/07/04

Order No: _____ Issue: A

Item	Unit Qty	Description	Part No.	Checked
1	1	Crazy Twister Handle Assembly *	4200-754	
2	1	Crazy Twister Upright Assembly *	4200-752	
3	1	Aluminium End Cap *	3711-002	
4	1	Top Bearing *	2546-004	
5	1	Bottom Bearing *	2546-003	
6	1	Nilos Ring 32006 X JV	2541-130	
7	1	Nilos Ring 32008 X AV	2541-131	
	1	Stores Issue Fixings Pack *		
		* Items To Be Assembled Prior To Dispatch		

Total No. of Items

Picked By: _____ Checked By: _____

COMPILED BY: P Kearney	REV	0	1	2		
	ECN No.	1475	Minor	Minor		
DATE: 22/07/04	DATE	22/07/04	08/04/14	10/02/16		
	SIGN	PK	DB	AB		

FIXINGS LIST

Product: Crazy Twister

Code No. 6020-056

Date of Issue: 22/07/04

Order No:

Issue:A

Item	Unit Qty	Description	Part No.	Checked
1	2	M8 x 8 Cup point Grub Screw *	2171-111	
2	1	1/4" BSP Grease Nipple *	2691-003	
3	1	Spacer *	3032-009	
4	1	M24 Castle Nut *	2193-057	
5	1	5mmx200 Cable (Zip) Tie *		
6	1	High Temp Grease - 400g Tube	2581-003	
		* Items To Be Fitted Prior To Dispatch		

Total No. of Items

Picked By: _____

Checked By: _____

COMPILED	REV	0	1	2	3		
	BY: P Kearney	ECN No.	1475	minor	Minor	Minor	
DATE:22/07/04	DATE	22/07/04	03/09/08	30/06/09	10/02/16		
	SIGN	PK	SB	DB	AB		