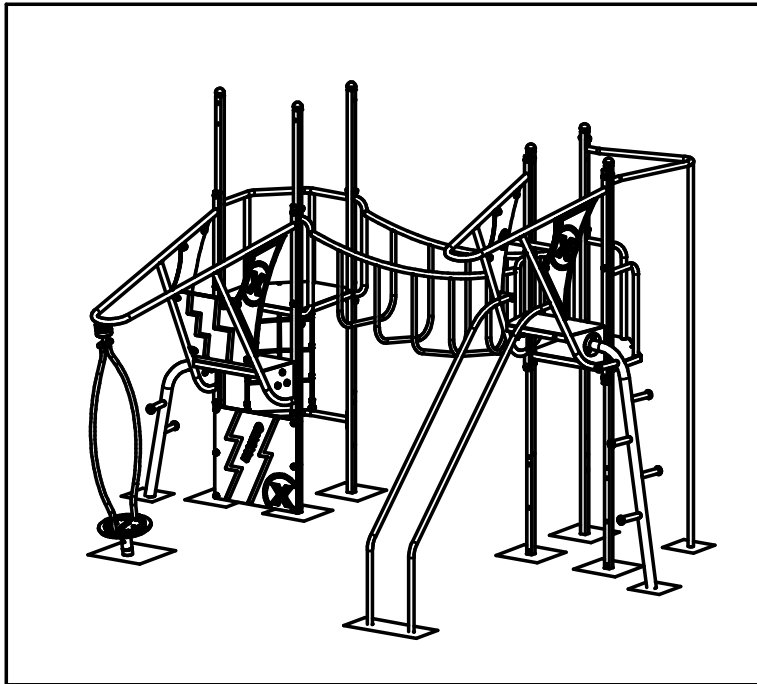



Specification Sheet



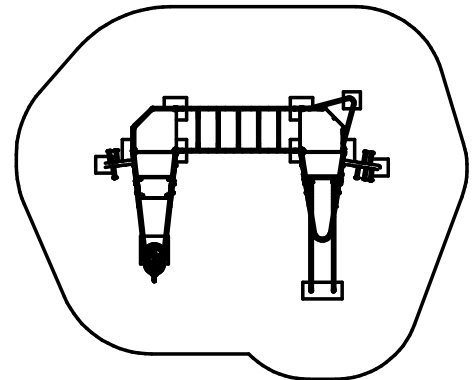
XS Cyclone	
Synop	
PROD. CODE	801-SYNO
SIZE	4950x3375x3485
AGE RANGE	6 Years to Adult
F/ FALL HEIGHT	2000mm
HEAVIEST PART	Approx 81 Kg
TOTAL WEIGHT	Approx 551 Kg
	

Surfacing Details

Surfacing	Size/Quantity
Minimum Space	7950 x 6565mm
Wetpour Area	24.5 Sq Metres of 80mm Thk
	10.0 Sq Metres of 70mm Thk
	9.5 Sq Metres of 40mm Thk
Wetpour Linear Edging	24.5 Metres
Grass Mats (1500x1000mm)	37 off

Specification Details

Material	Specification
Circular Hollow Section (CHS)	EN 10219: 1997
Rectangular Hollow Section (RHS)	EN 10219: 1997
Mild Steel Plate	EN 10025: 2004
Mild Steel Bar	EN 10087: 1998
Stainless Steel Tube/Plate/Bar	EN 10088-2: 2005
High Density Polyethylene (HDPE)	EN ISO 14632: 1998
Polyester Powder Paint	EN 13438: 2005
Welding	EN 14341: 2011
Standard Fixings	BS3692 & 4190:2001
Non Standard Anti-Vandal Fixings	Corrosion Resistant



Note:-

1. Lifting Equipment or sufficient manpower should be used throughout installation.
2. In accordance with 6.1.3 EN1176-1:2008 we recommend that slides do not face south or near due south due to heat build up.