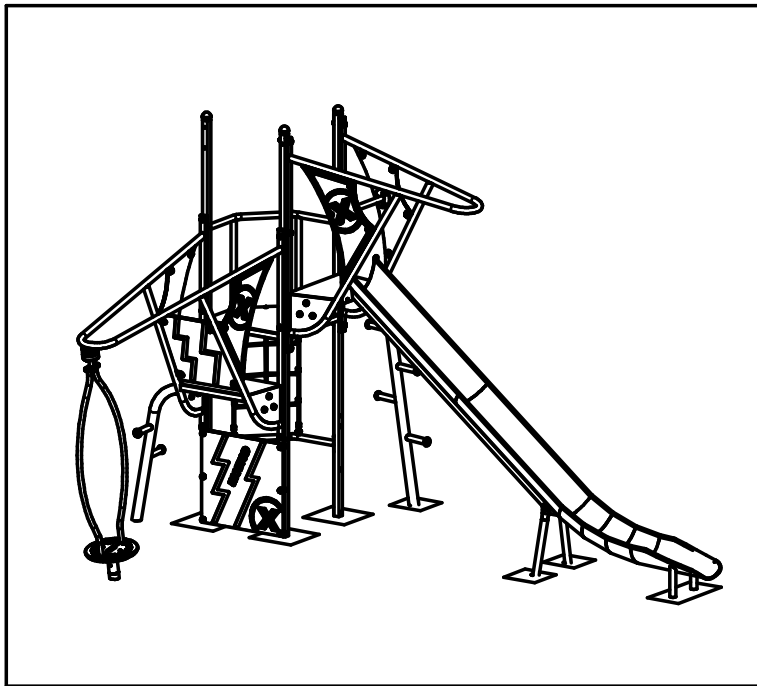


# Installation Instructions



## XS Cyclone

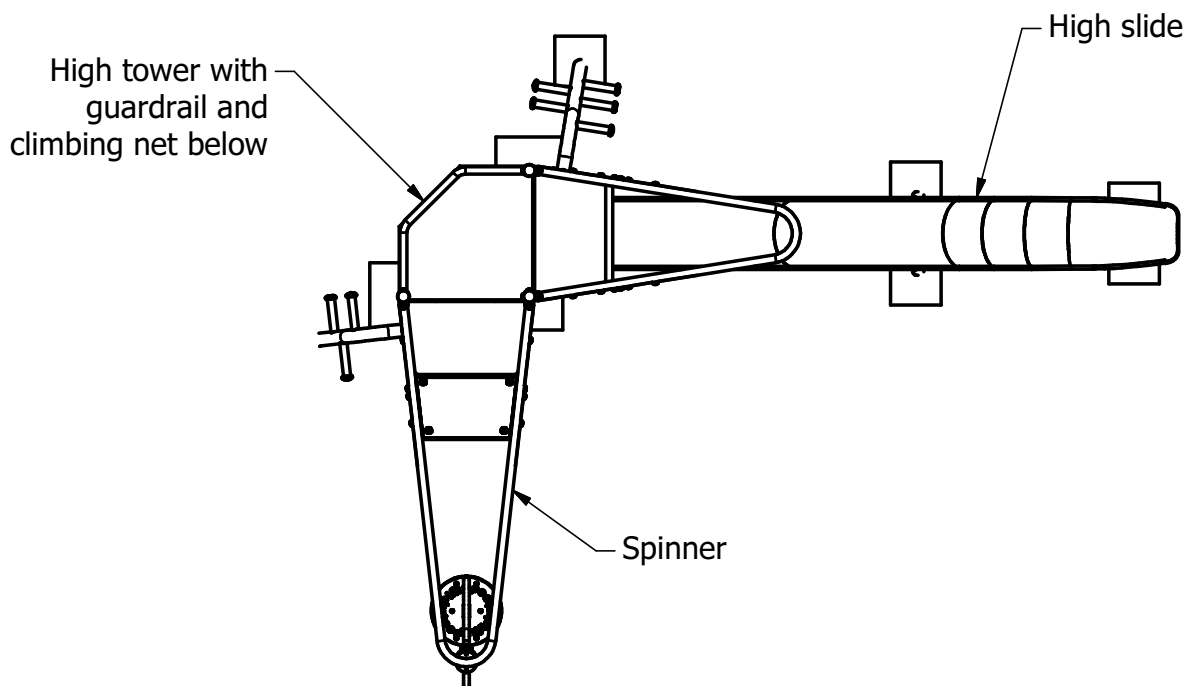
## Hurac

PROD. CODE	801-HURA
SIZE	5175x3375x3750
AGE RANGE	6 Years to Adult
F/ FALL HEIGHT	2000mm
HEAVIEST PART	See Attached
TOTAL WEIGHT	See Attached



100 YEARS OF PLAY  
SINCE 1918

### Layout Details



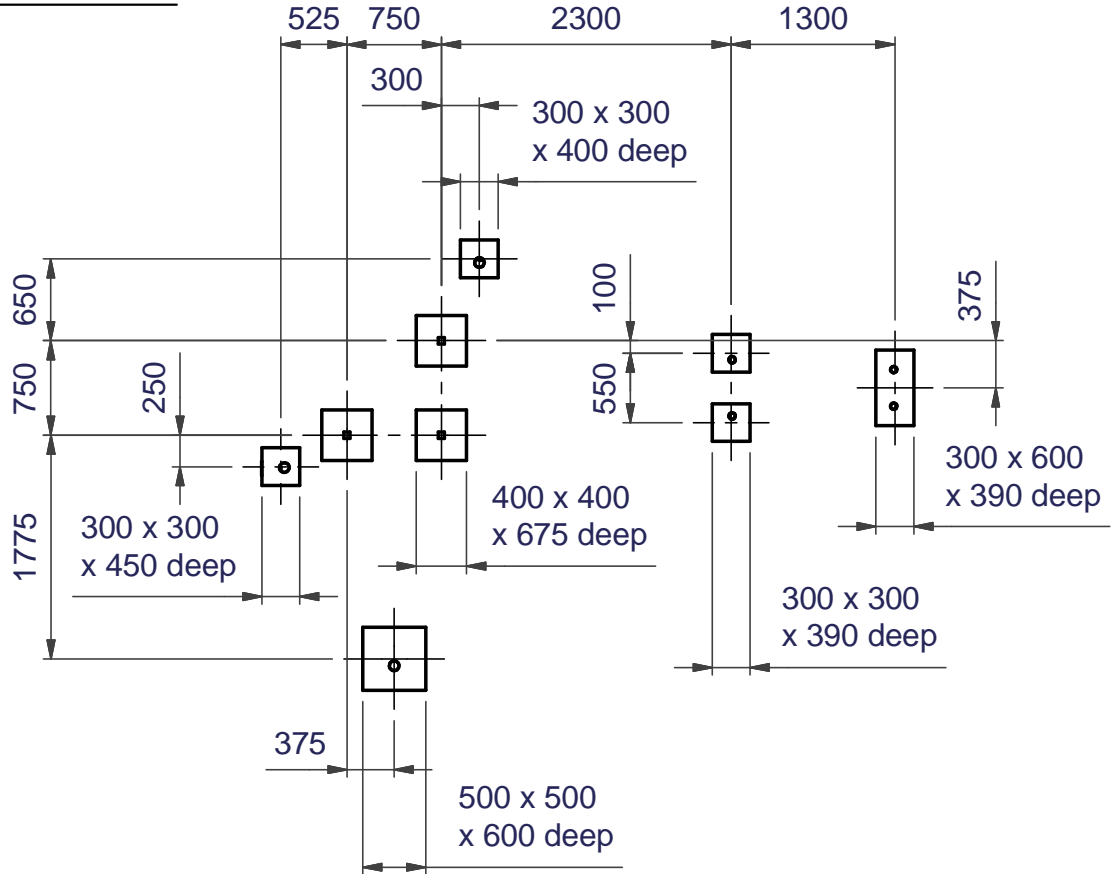
### General Installation Instructions

- 1 Read instructions thoroughly before commencing installation of unit. For additional instruction on each unit see appropriate sheets attached.
- 2 Note:- In accordance with 6.1.3 EN1176-1:2008 we recommend that slides do not face south or near due south due to heat build up.
- 3 Excavate foundations as shown in the foundation plan.

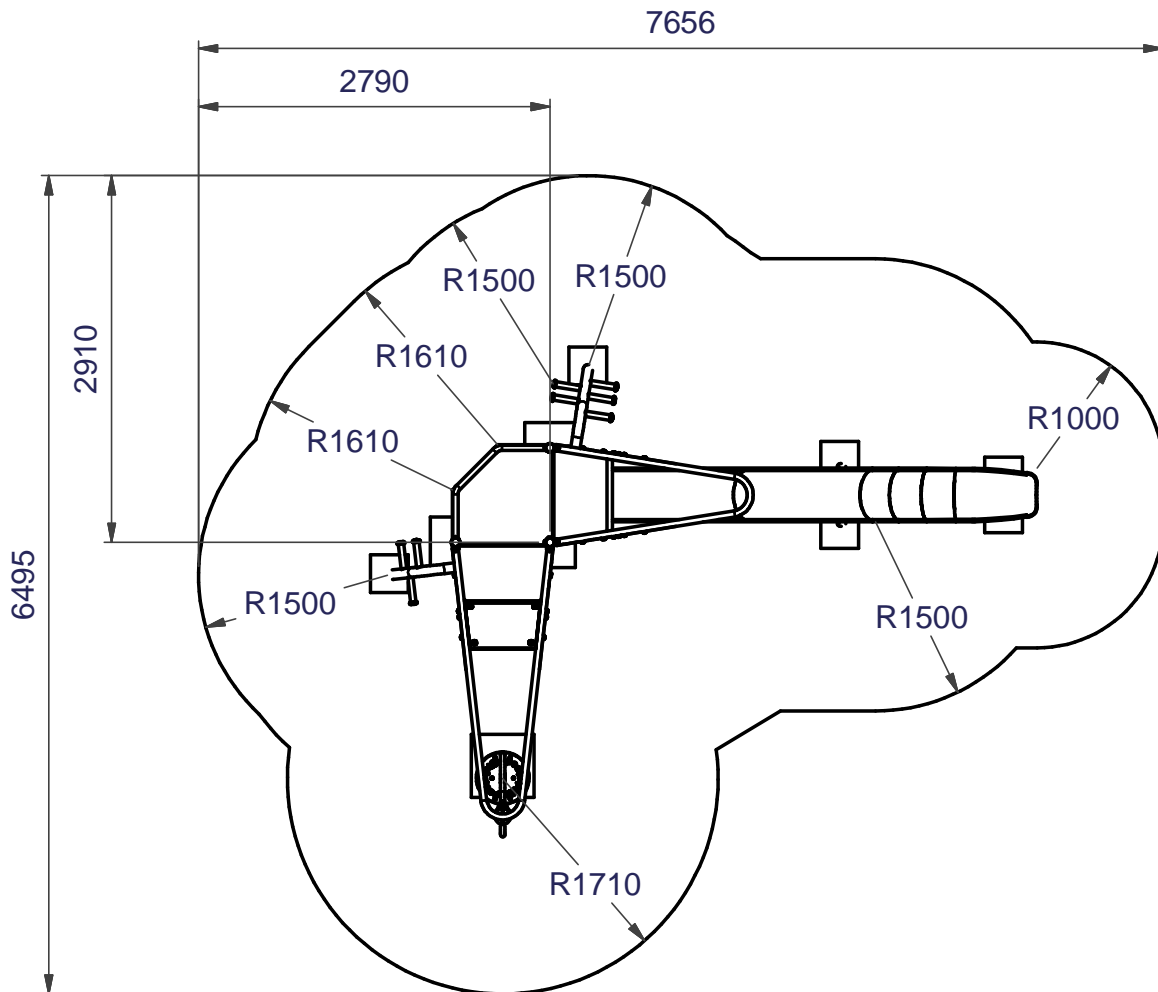
Note:- 1. Ensure all installation aids are removed before first use.

2. Lifting Equipment or sufficient manpower should be used throughout installation.

# Foundation Details

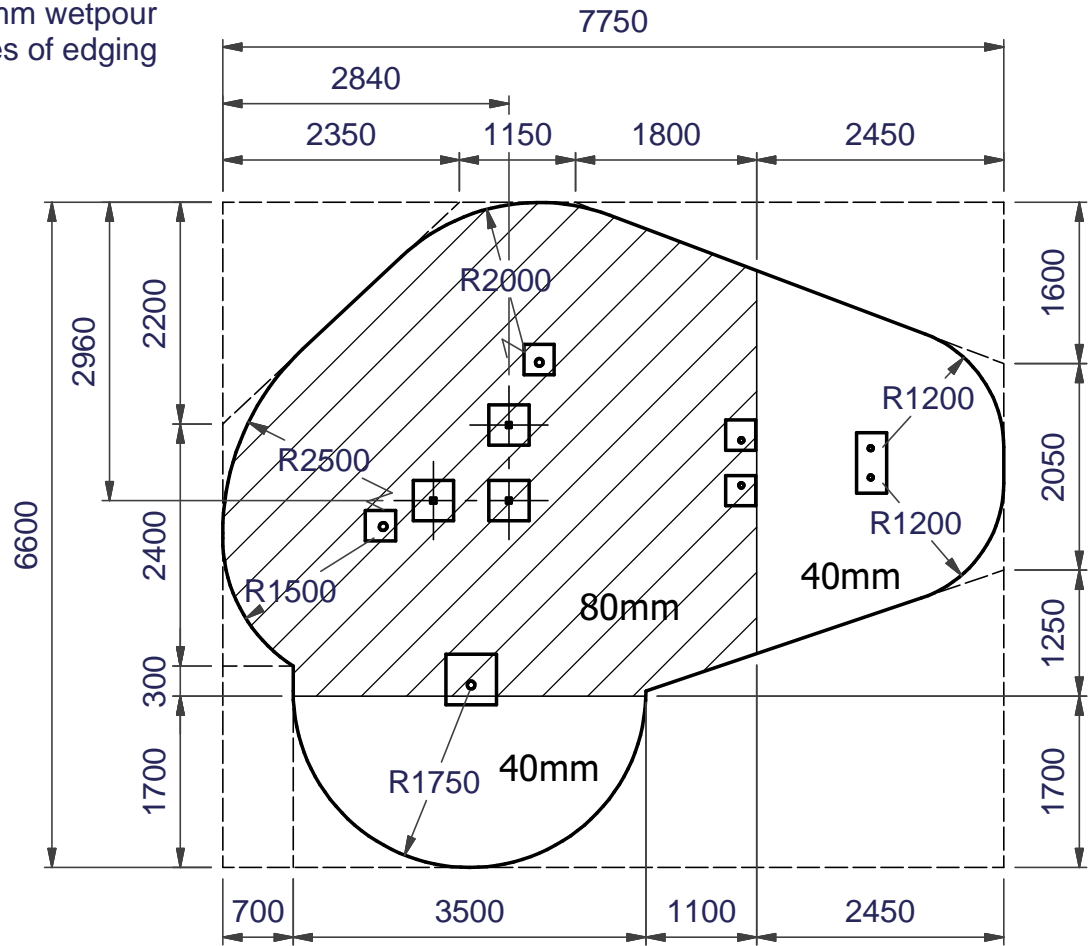


# Minimum Space



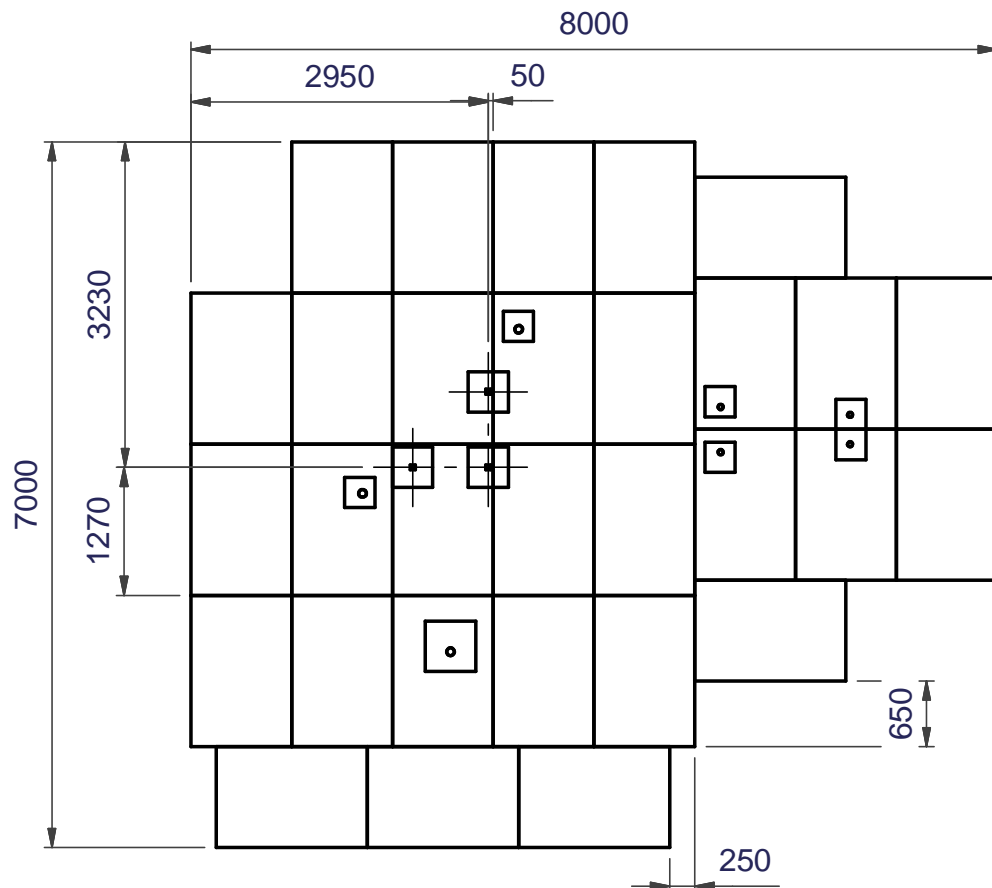
### Wetpour Details

22.0 sq m of 80mm wetpour  
 11.5 sq m of 40mm wetpour  
 22.5 linear metres of edging

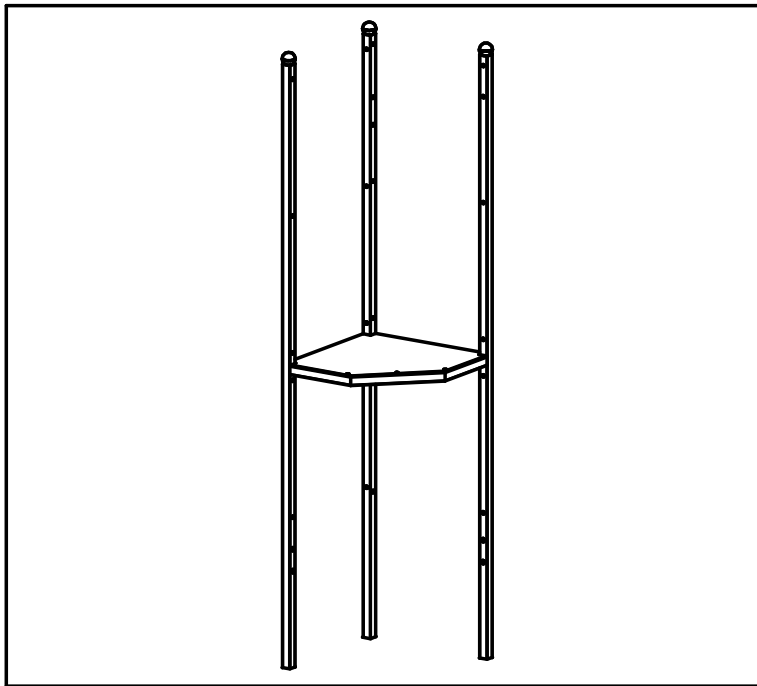



### Grass Mat Details

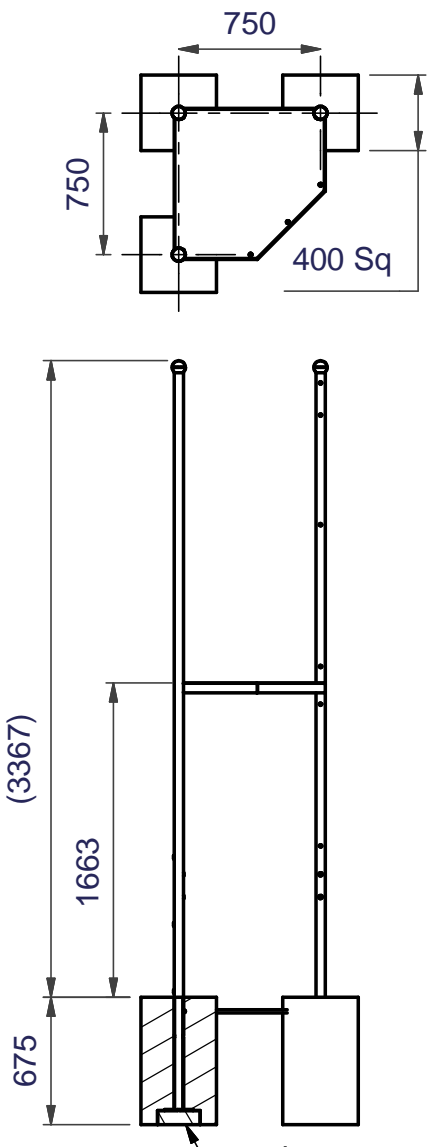
30 Grass mats



# Installation Instructions



<b>XS Cyclone</b>	
<b>High Tower</b>	
PROD. CODE	5124-051
SIZE	0.8 x 0.8 x 3.37
AGE RANGE	6 Years to Adult
F/ FALL HEIGHT	1663mm
HEAVIEST PART	Approx 81 Kg
TOTAL WEIGHT	Approx 81 Kg
 <small>100 YEARS OF PLAY SINCE 1918</small>	

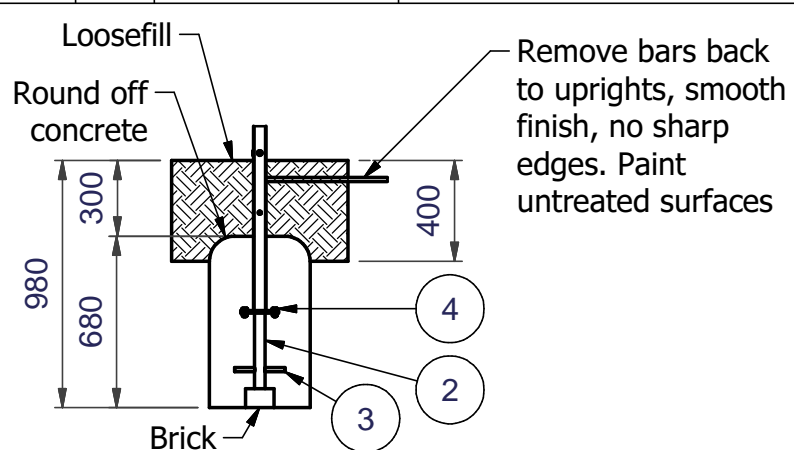


### Installation Instructions

Care must be taken in abnormal conditions

- 1 Read instructions thoroughly before commencing installation of unit.
- 2 Excavate foundations as shown in the foundation plan.
- 3 Position the tower on bricks in the excavated foundations, ensuring it is plumb, square and at the correct height, orientation and distance.
- 4 When the unit is fully assembled and all fixings secure, back fill the foundations with 0.3m<sup>3</sup> concrete (4 parts gravel/2 parts sand/1 part cement).
- 5 Allow concrete to set for 48 hours before first use

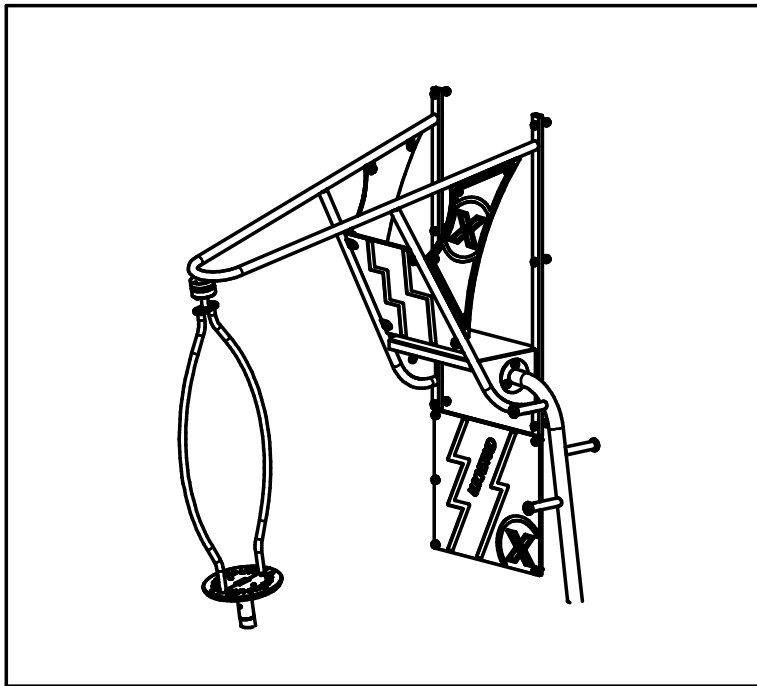
FOR BARK FIX ADD			
ITEM	QTY	PART NUMBER	DESCRIPTION
2	3	5071-003	BELOW GROUND ASSY
3	3	3031-010	SPRAGGING IRON
4	6	2175-134	M12 x 25 LG HEX HD SCREW



Remove bars back to uprights, smooth finish, no sharp edges. Paint untreated surfaces

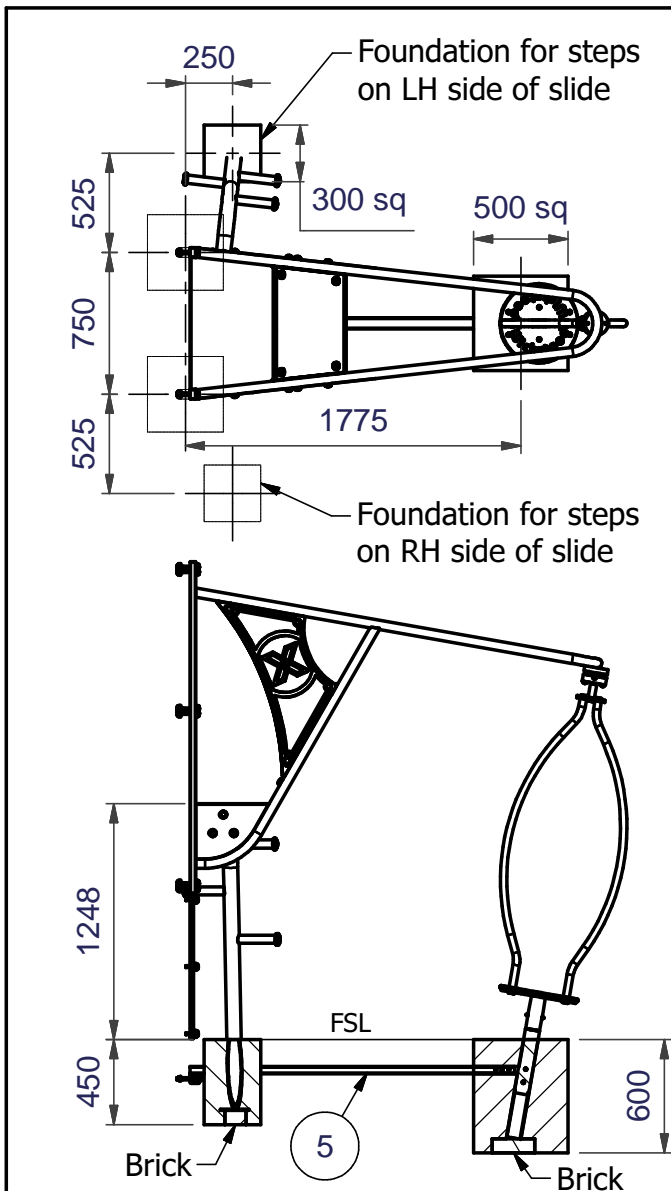
**Note:-** 1. Ensure all installation aids are removed before first use.  
 2. Lifting Equipment or sufficient manpower should be used throughout installation.

# Installation Instructions



## XS Cyclone Spinner

PROD. CODE	5124-055
SIZE	1.32 x 2.32 x 2.53
AGE RANGE	6 Years to Adult
F/ FALL HEIGHT	1250mm
HEAVIEST PART	Approx 62 Kg
TOTAL WEIGHT	Approx 158 Kg



### Installation Instructions

Care must be taken in abnormal conditions

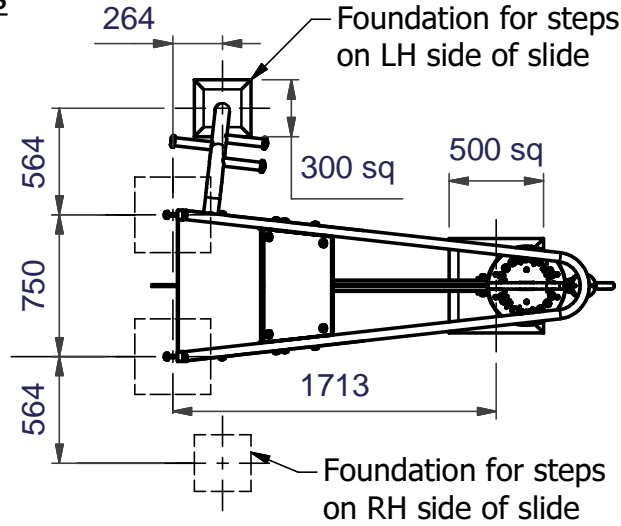
- 1 Read instructions thoroughly before commencing installation of unit
- 2 Excavate foundations as shown in the foundation plan
- 3 Attach outrigger frame to the tower as shown. Outrigger side panels should already be fitted to the outrigger frame. Fit the tower panel to the tower as shown
- 4 Position steps in their foundation hole on a brick and fit to frame as shown. Ensure blanking fixings are fitted in the opposite side of outrigger
- 5 Attach the T-bar to the tower as shown
- 6 Attach the spinner assembly to the outrigger and T-bar as shown. Support the spindle on a brick. Ensure the spinner rotates freely
- 7 When the unit is fully assembled and all fixings secure, back fill foundations with 0.18m<sup>3</sup> of concrete (4 parts gravel/ 2 parts sand/1 part cement)
- 8 Allow concrete to set for 48 hours before first use

See Sheet 2 for Bark Fix

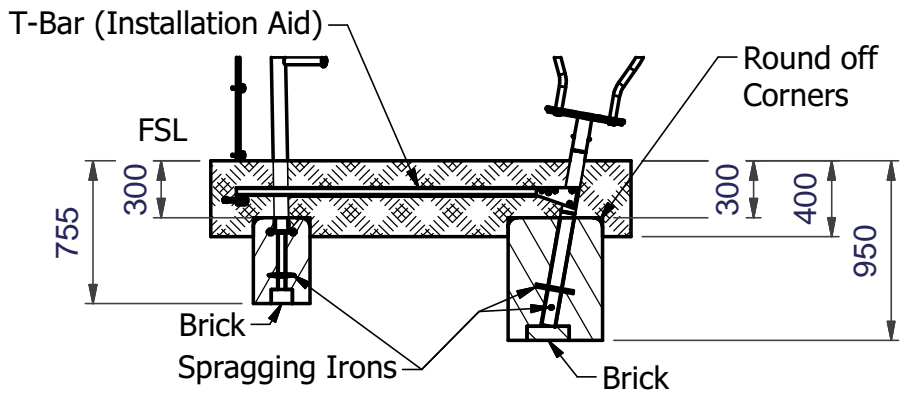
Note:- 1. Ensure all installation aids are removed before first use.

2. Lifting Equipment or sufficient manpower should be used throughout installation.

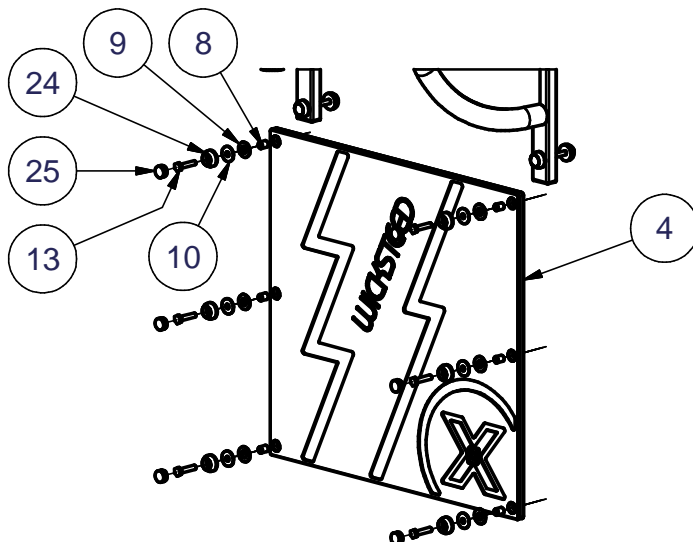
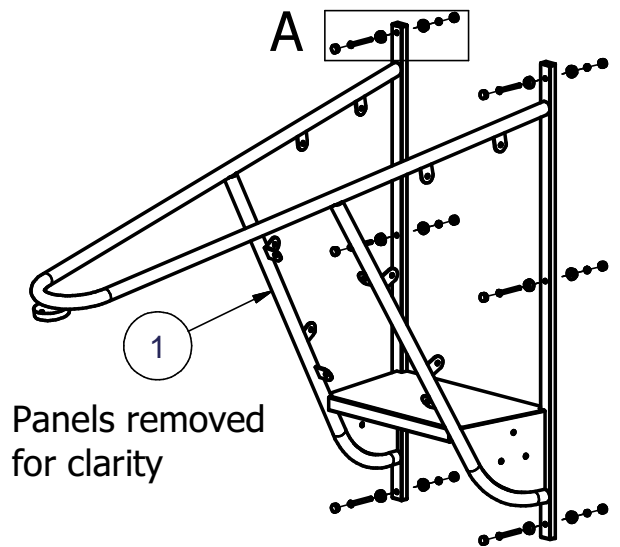
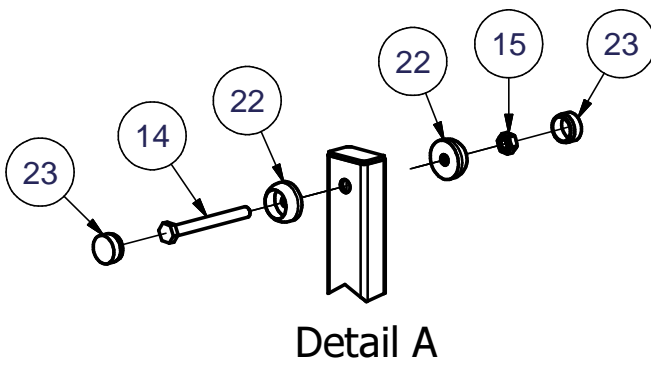
Bark Fix details



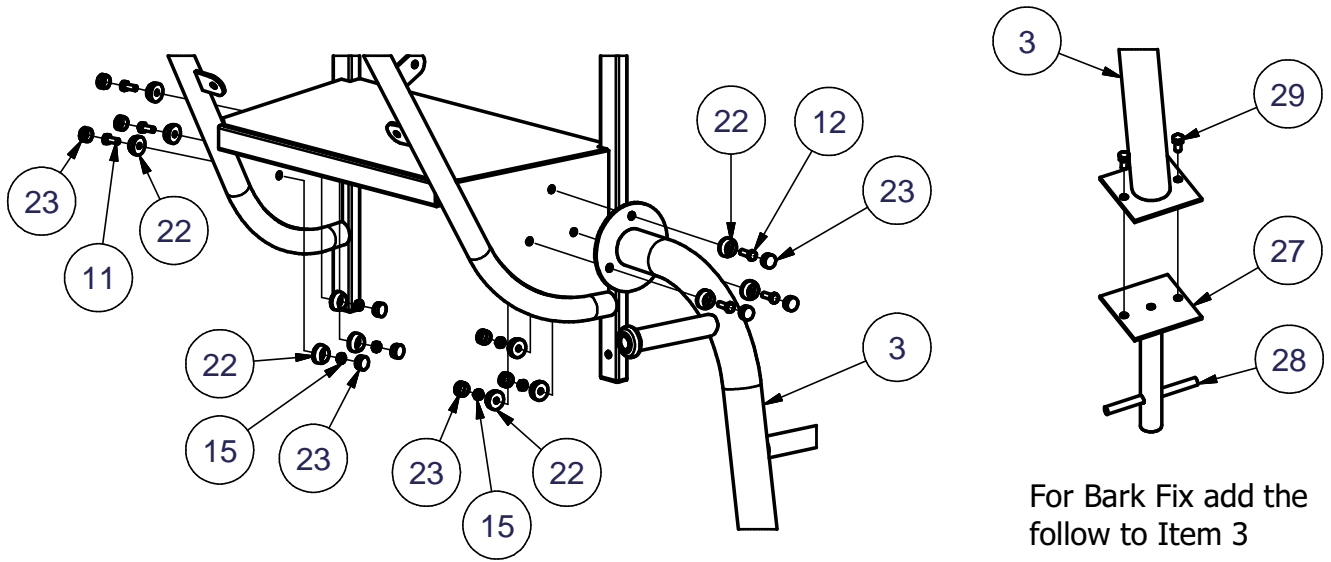
**IMPORTANT**  
Remove installation Aid before first use



Sliding Outrigger and Lower Panel to Tower Assembly details

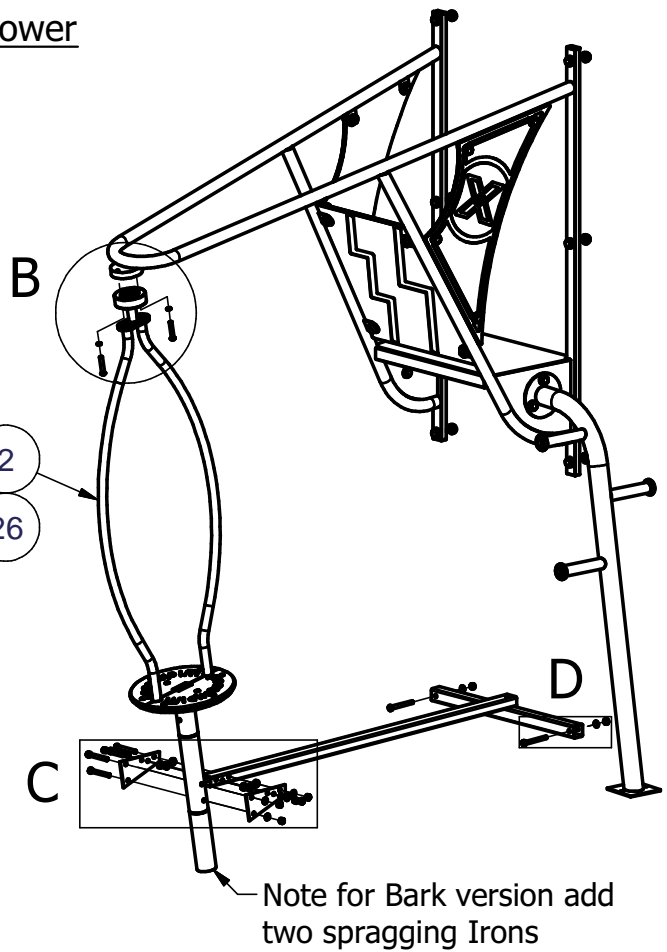
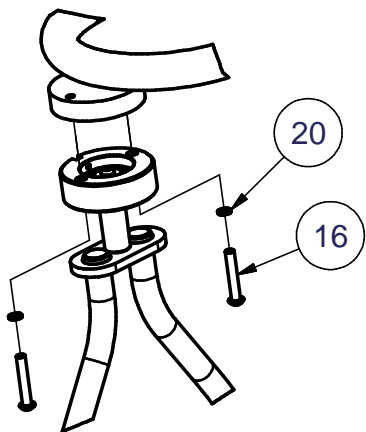


Low Steps to Sliding Outrigger Assembly details

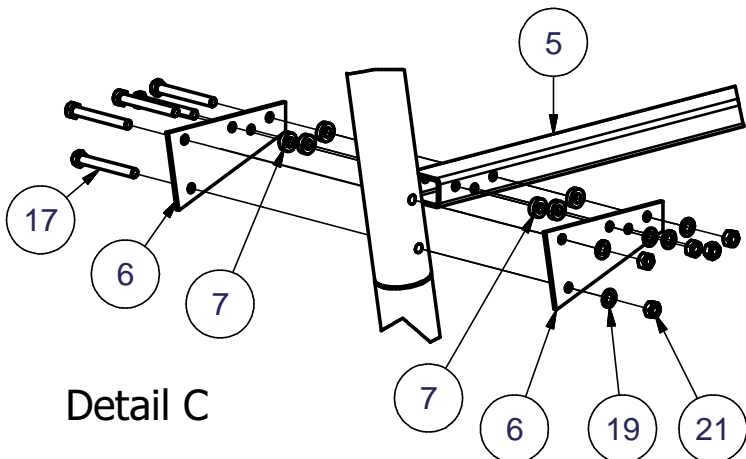


Spinner fitting to outrigger, T-bar and tower

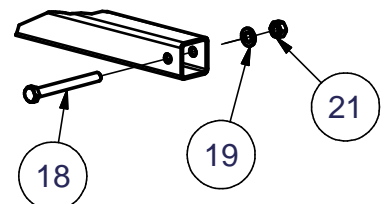
Detail B



Detail C



Detail D

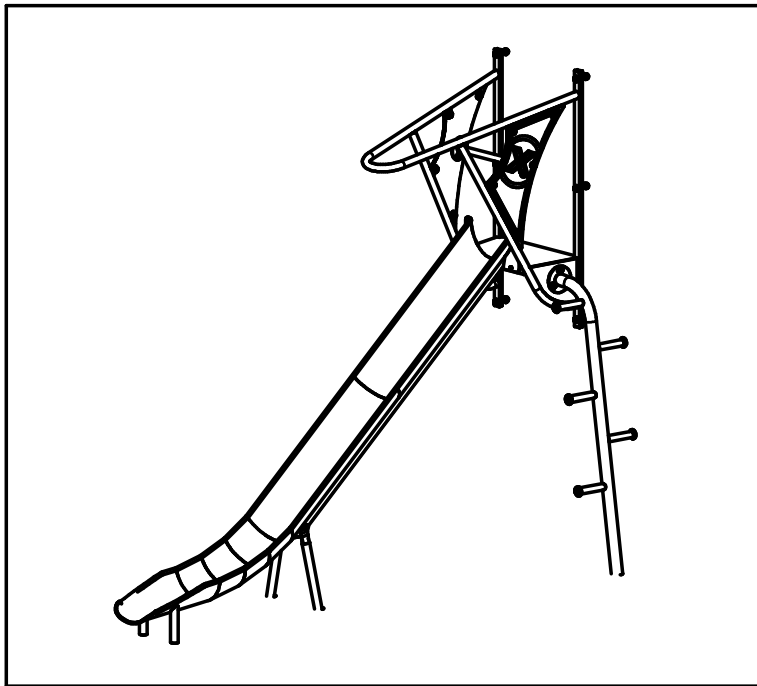


PARTS LIST			
ITEM	QTY	PART NUMBER	DESCRIPTION
1	1	5101-002	Spinner Outrigger & Panel Assembly
2	1	5094-057	Spinner Assembly
3	1	4201-674	LOW STEPS
4	1	3756-059	SPINNER TOWER PANEL
5	1	4202-334	T-Bar W.A.
6	2	3201-220	Angle Plate
7	6	3030-430	Spacer
8	6	2472-003	FIXING SPACER
9	6	2900-041	NEOPRENE WASHER
10	6	2215-519	Wicksteed Washer
11	3	2175-115	M10 x 25 LG HEX HD SCREW
12	3	2175-116	M10 x 30 LG HEX HD SCREW
13	6	2185-038	M10 x 50 Hex Head Bolt
14	6	2185-046	M10 x 100 Hex Head Bolt
15	12	2191-010	M10 Binx Nut
16	2	2176-181	M12 x 70 Pent Button Head
17	5	2185-081	M12 x 100 HEX HD BOLT
18	2	2185-083	M12 x 120 HEX HD BOLT
19	7	2215-509	M12 Plain Washer
20	2	2212-204	M12 Spring Washer
21	7	2193-007	M12 Nut
22	24	2611-031_Cup	Black Poeppelmann Cup
23	24	2611-031_Cap	Black Poeppelmann Cap
24	6	2611-032_Cup	Blue Poeppelmann Cup
25	6	2611-032_Cap	Blue Poeppelmann Cap

BARK PARTS LIST			
ITEM	QTY	PART NUMBER	DESCRIPTION
26	1	5094-057	Spinner Assembly (Loosefill)
27	1	5071-003	BELOW GROUND ASSY
28	3	3031-010	SPRAGGING IRON
29	2	2175-134	M12 x 25 LG HEX HD SCREW

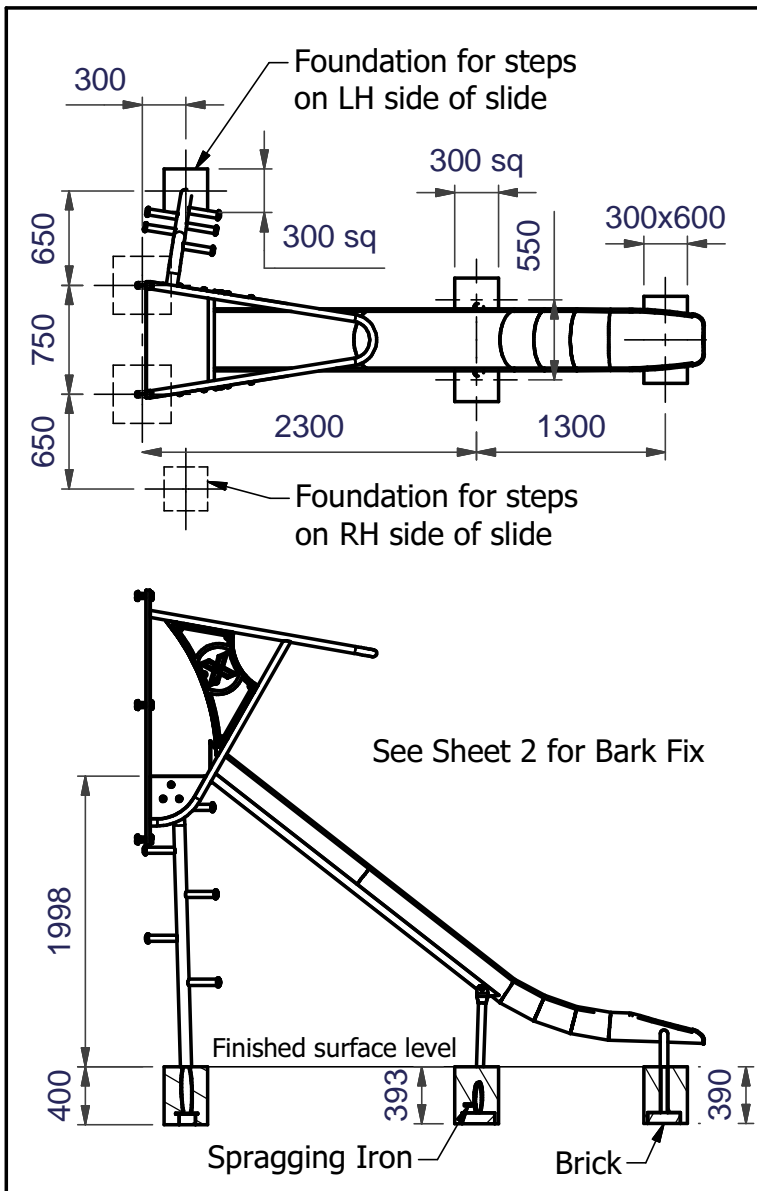


# Installation Instructions



## XS Cyclone High Slide

PROD. CODE	5124-057
SIZE	1.44 x 3.86 x 3.28
AGE RANGE	6 Years to Adult
F/ FALL HEIGHT	2000mm
HEAVIEST PART	Approx 64 Kg
TOTAL WEIGHT	Approx 162 Kg



### Installation Instructions

Care must be taken in abnormal conditions

Note:-

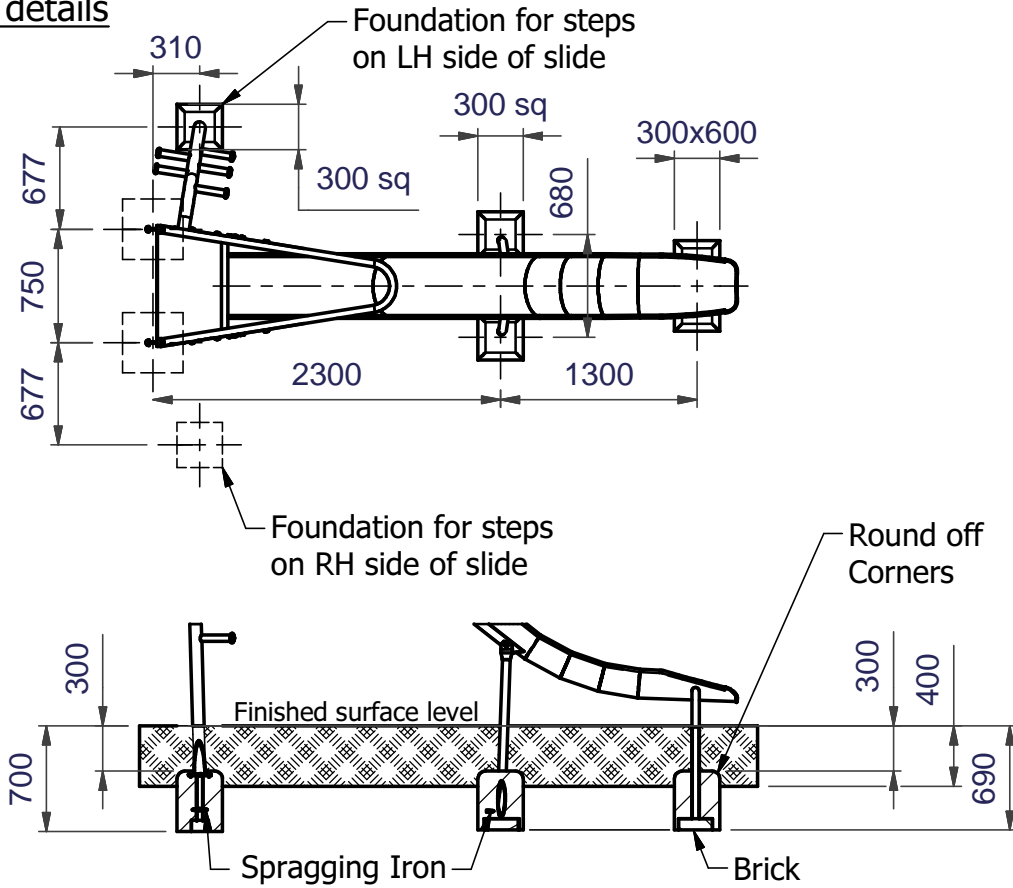
In accordance with 6.1.3 EN1176-1:2008 we recommend that slides do not face south or near due south due to heat build up

- 1 Read instructions thoroughly before commencing installation of unit.
- 2 Excavate foundations as shown in the foundation plan.
- 3 Attach outrigger frame to the tower as shown.
- 4 Position steps in their foundation hole on a brick and fit to frame as shown. Ensure blanking fixings are fitted in the opposite side of outrigger.
- 5 Attach the slide chute to the outrigger as shown, positioning the bottom end on bricks in the excavated foundation.
- 6 Fit the support legs to the slide chute, with the spragging irons, and place on a brick in the foundations hole.
- 7 When the unit is fully assembled and all fixings secure, back fill foundations with 0.16m<sup>3</sup> of concrete (4 parts gravel/ 2 parts sand/1 part cement).
- 8 Allow concrete to set for 48 hours before first use.

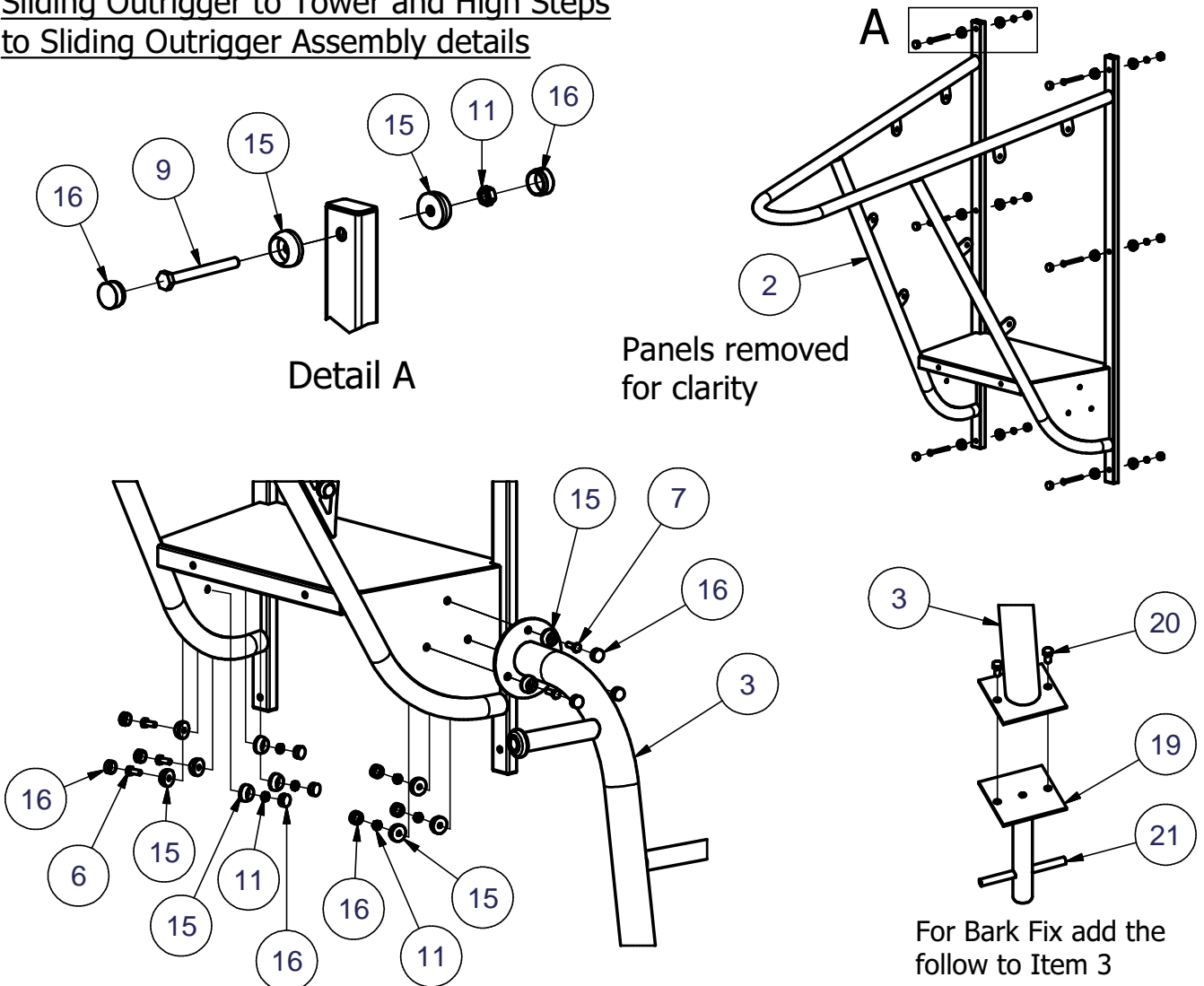
Note:- 1. Ensure all installation aids are removed before first use.

2. Lifting Equipment or sufficient manpower should be used throughout installation.

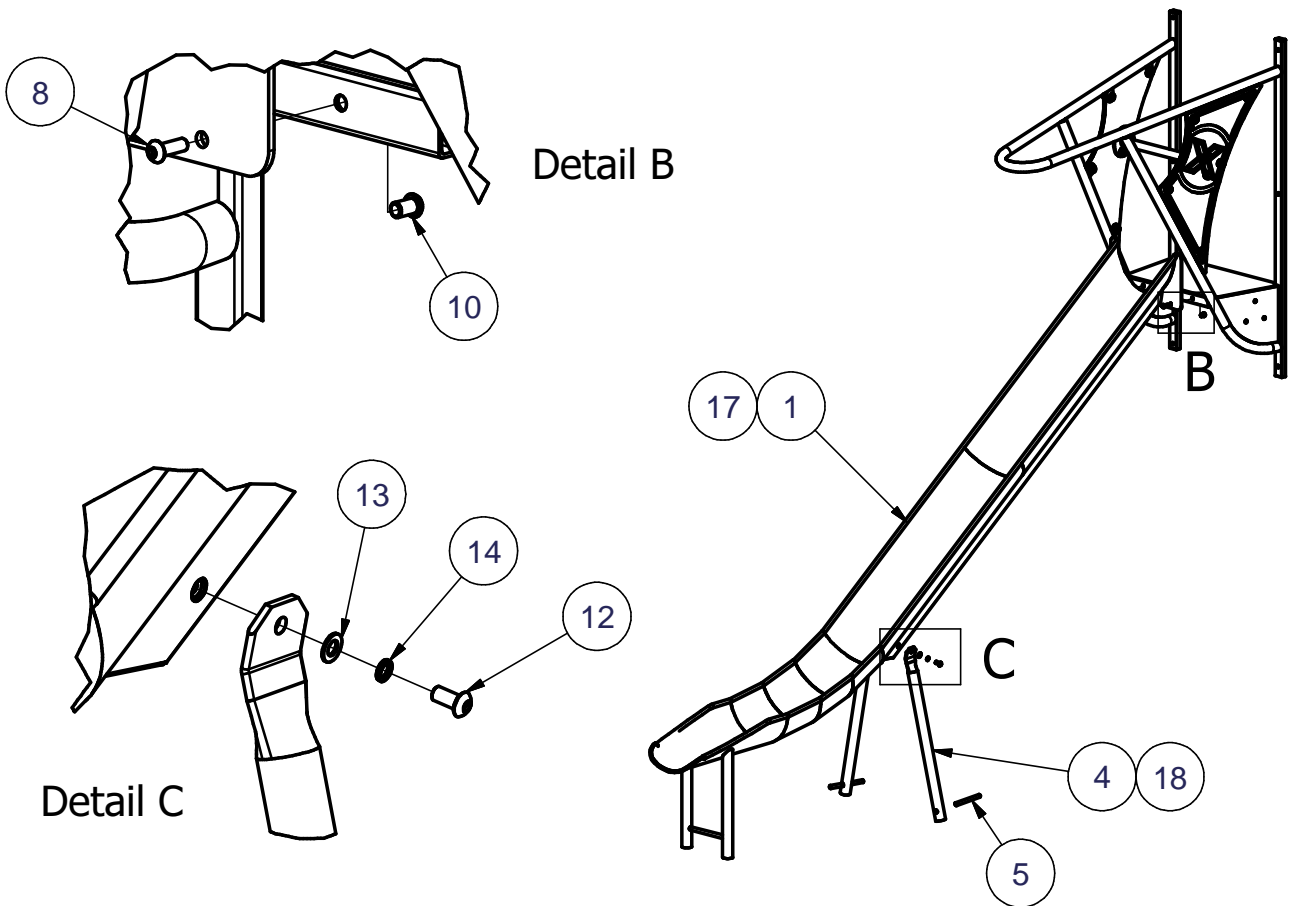
**Bark Fix details**



**Sliding Outrigger to Tower and High Steps to Sliding Outrigger Assembly details**



Slide Chute to Sliding Outrigger and Support Legs to Chute Assembly details



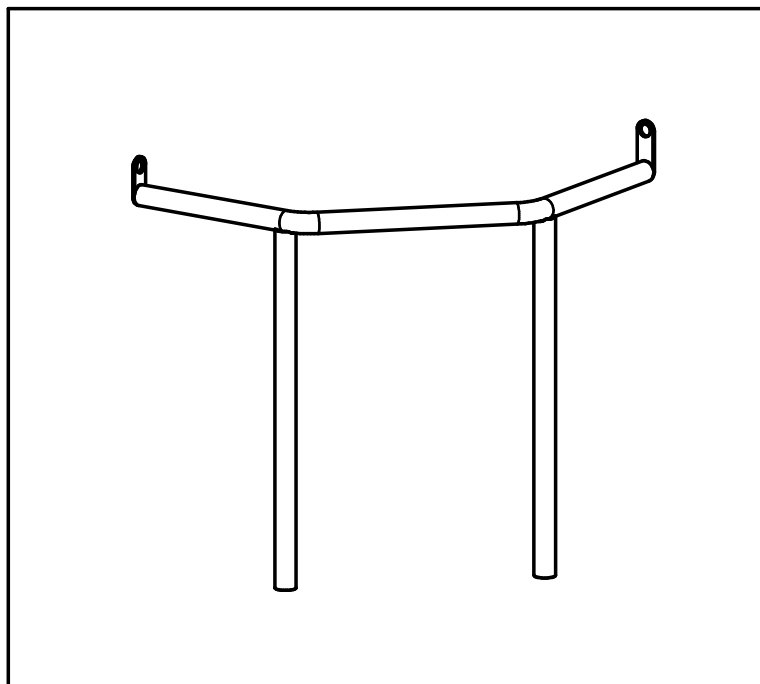
PARTS LIST

ITEM	QTY	PART NUMBER	DESCRIPTION
1	1	5031-423	HIGH SLIDE CHUTE
2	1	5101-003	Sliding Outrigger & Panel Assembly
3	1	4201-677	HIGH STEPS
4	2	3001-031	SUPPORT LEG
5	2	3031-010	SPRAGGING IRON
6	3	2175-115	M10 x 25 LG HEX HD SCREW
7	3	2175-116	M10 x 30 LG HEX HD SCREW
8	2	2176-132	M10 x 30 Pent Button Head
9	6	2185-046	M10 x 100 Hex Head Bolt
10	2	2177-002	M10 Safety Fastener
11	12	2191-010	M10 Binx Nut
12	2	2176-176	M12 x 25 Pent Button Head
13	2	2215-509	M12 Plain Washer
14	2	2212-204	M12 Spring Washer
15	24	2611-031_Cup	Black Poeppelmann Cup
16	24	2611-031_Cap	Black Poeppelmann Cap

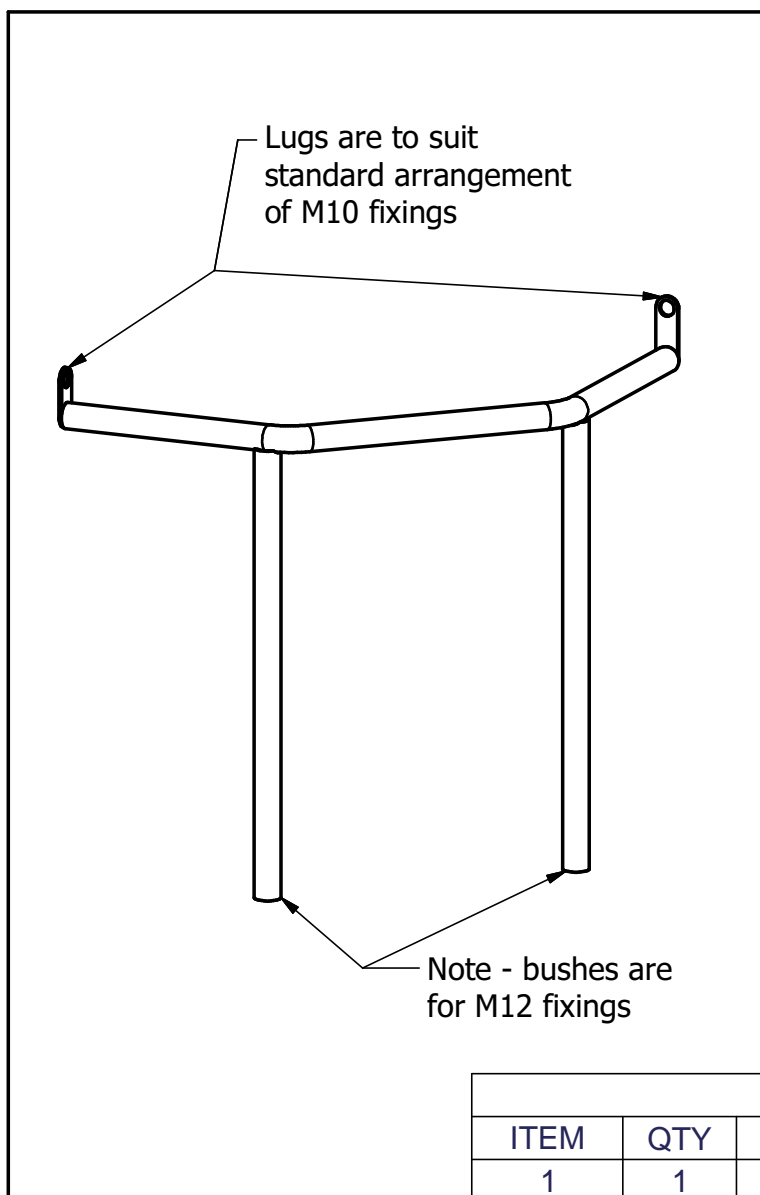
BARK PARTS LIST

ITEM	QTY	PART NUMBER	DESCRIPTION
17	1	5031-425	HIGH SLIDE CHUTE (BARK)
18	2	3001-042	SUPPORT LEG (BARK)
19	1	5071-003	BELOW GROUND ASSY
20	2	2175-134	M12 x 25 LG HEX HD SCREW
21	1	3031-010	SPRAGGING IRON

# Installation Instructions



<b>XS Cyclone</b>	
<b>Guard Rail</b>	
PROD. CODE	5124-060
SIZE	1.06 x 0.32 x 0.86
AGE RANGE	6 Years to Adult
F/ FALL HEIGHT	N/A
HEAVIEST PART	Approx 9 Kg
TOTAL WEIGHT	Approx 9 Kg



## Installation Instructions

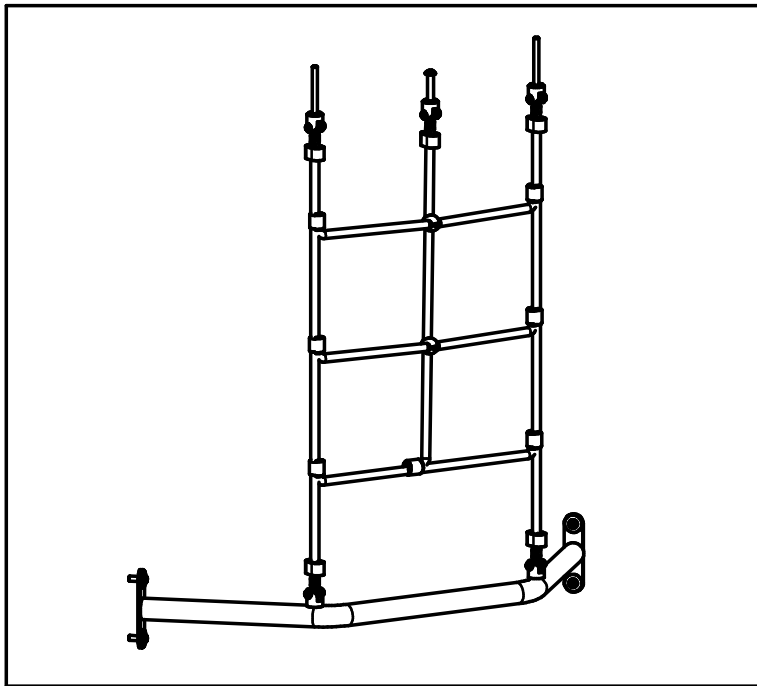
Care must be taken in abnormal conditions


- 1 Read instructions thoroughly before commencing installation of unit.
- 2 Position guardrail on tower.
- 3 Fix in place using fixings from adjacent accessories.
- 4 Where there are no adjacent accessories fixings are supplied as part of the unit.

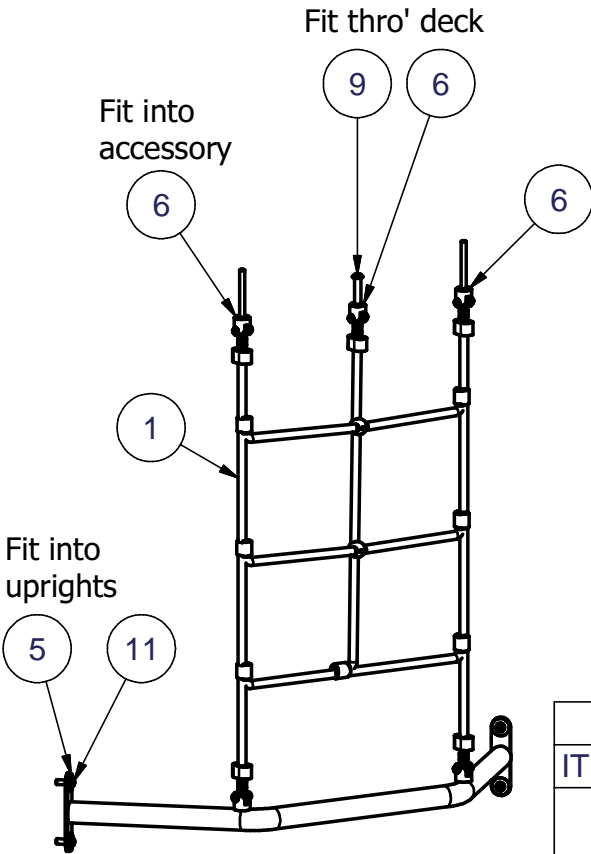
PARTS LIST			
ITEM	QTY	PART NUMBER	DESCRIPTION
1	1	4202-623	GUARDRAIL ASSY

Note:- 1. Ensure all installation aids are removed before first use.  
2. Lifting Equipment or sufficient manpower should be used throughout installation.

# Installation Instructions



<b>XS Cyclone</b>	
<b>Climbing Net</b>	
PROD. CODE	5124-062
SIZE	1.06 x 0.31 x 1.04
AGE RANGE	6 Years to Adult
F/ FALL HEIGHT	1670mm
HEAVIEST PART	Approx 4.5 Kg
TOTAL WEIGHT	Approx 7 Kg
 <small>100 YEARS OF PLAY SINCE 1918</small>	



### Installation Instructions

Care must be taken in abnormal conditions

- 1 Read instructions thoroughly before commencing installation of unit
- 2 Position net support assembly against tower and fix as shown
- 3 Fit net support bolts and chain bolt head to deck and accessory as shown
- 4 Attach rope assembly to rope fittings as shown

PARTS LIST			
ITEM	QTY	PART NUMBER	DESCRIPTION
1	1	5101-004	Net and Net Support Assembly
5	4	2215-519	Wicksteed Washer
6	3	2212-211	M16 Nord Lock Washer
9	1	2176-181	M12 x 70 Pent Button Head
11	4	2176-132	M10 x 30 Pent Button Head

Note:- 1. Ensure all installation aids are removed before first use.  
 2. Lifting Equipment or sufficient manpower should be used throughout installation.