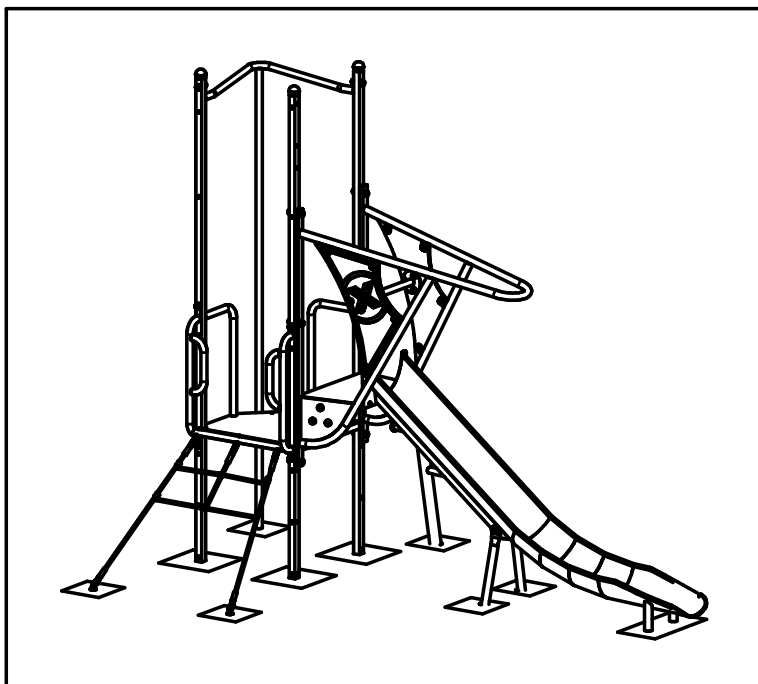


# Installation Instructions



XS Cyclone

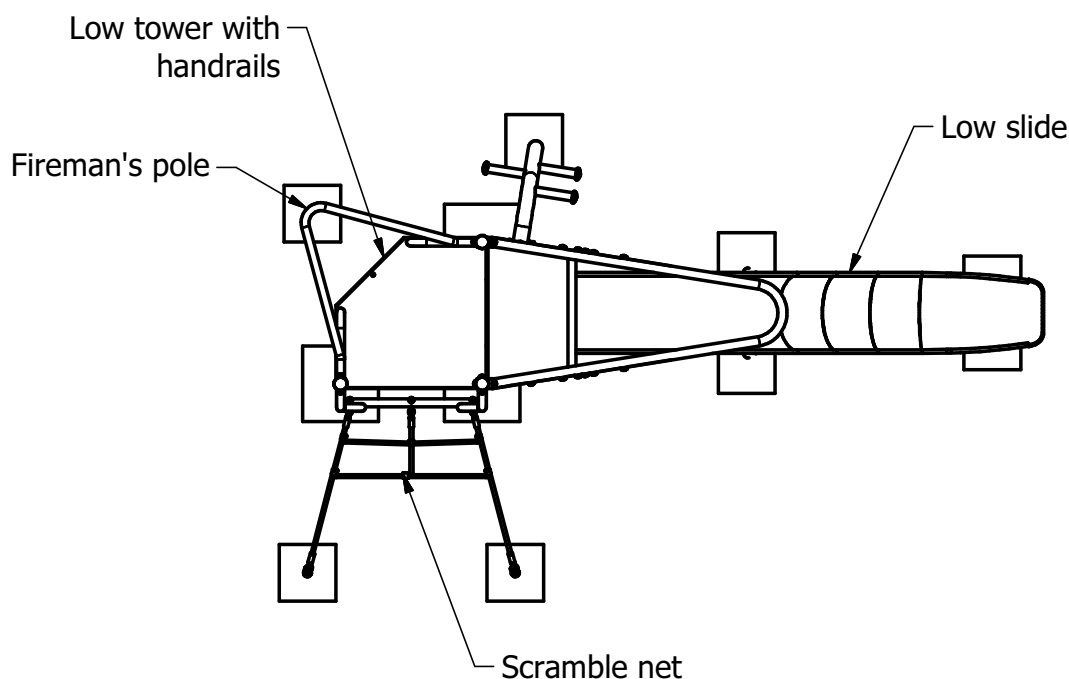
Coriol

PROD. CODE	801-CORI
SIZE	3950x3375x2325
AGE RANGE	6 Years to Adult
F/ FALL HEIGHT	1250mm
HEAVIEST PART	See Attached
TOTAL WEIGHT	See Attached

**WICKSTEED**

100 YEARS OF PLAY  
SINCE 1918

## Layout Details



## General Installation Instructions

- 1 Read instructions thoroughly before commencing installation of unit. For additional instruction on each unit see appropriate sheets attached.
- 2 Note:- In accordance with 6.1.3 EN1176-1:2008 we recommend that slides do not face south or near due south due to heat build up.
- 3 Excavate foundations as shown in the foundation plan.

Note:- 1. Ensure all installation aids are removed before first use.

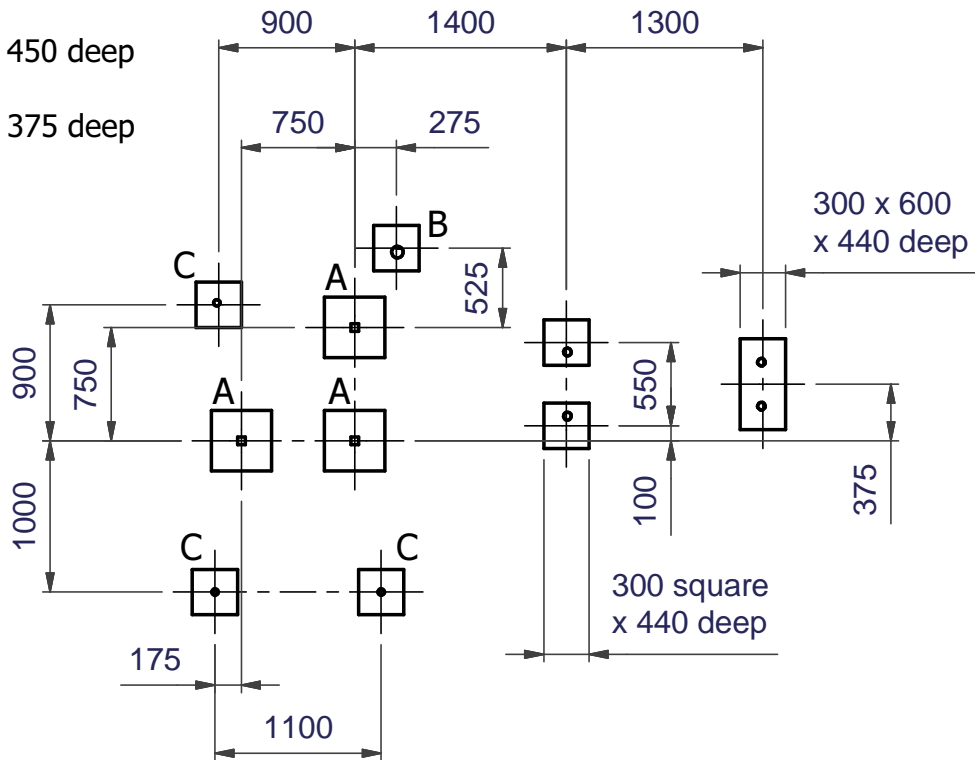
2. Lifting Equipment or sufficient manpower should be used throughout installation.

## Foundation Details

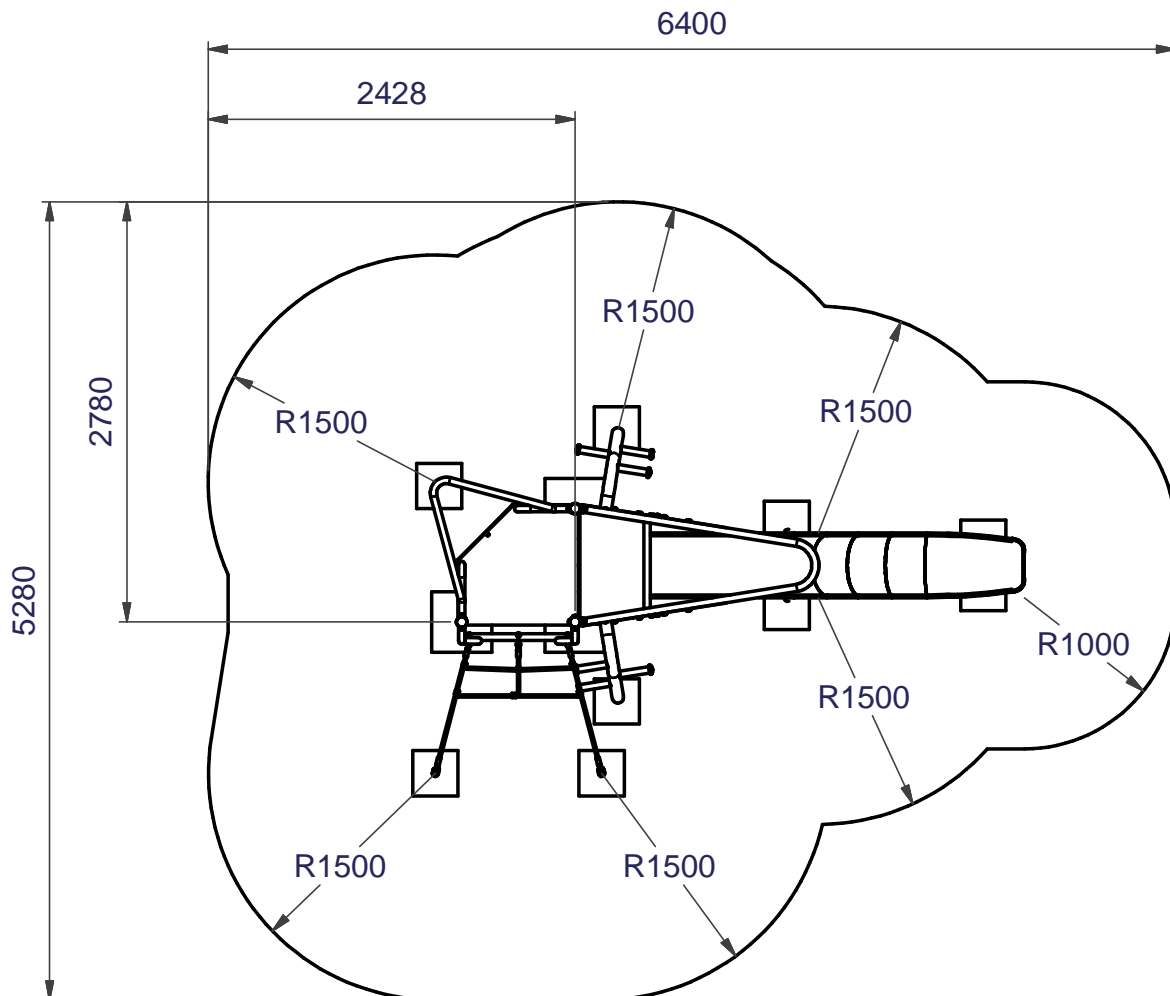
A - 400 x 400 x 675 deep

B - 300 x 300 x 450 deep

C - 300 x 300 x 375 deep



## Minimum Space

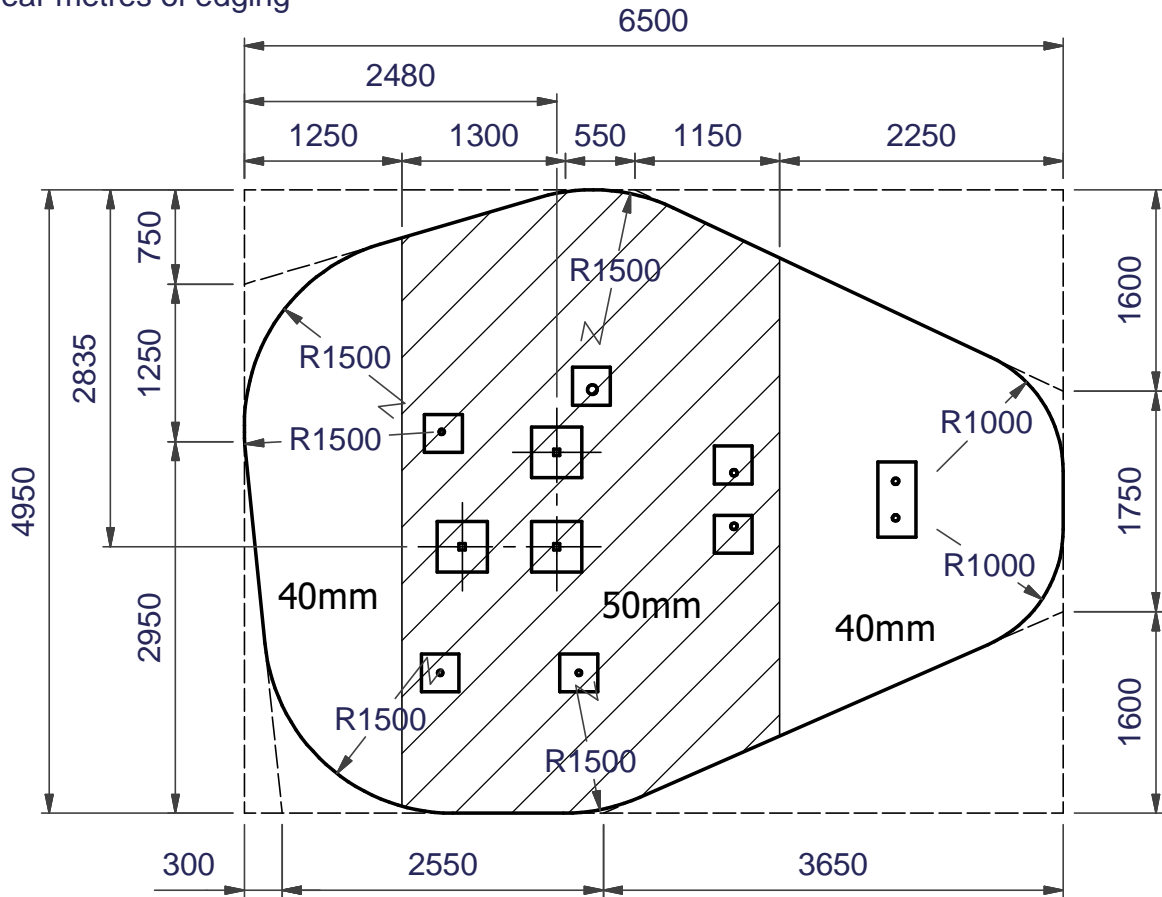


## Wetpour Details

14.0 sq metres of 50mm wetpour

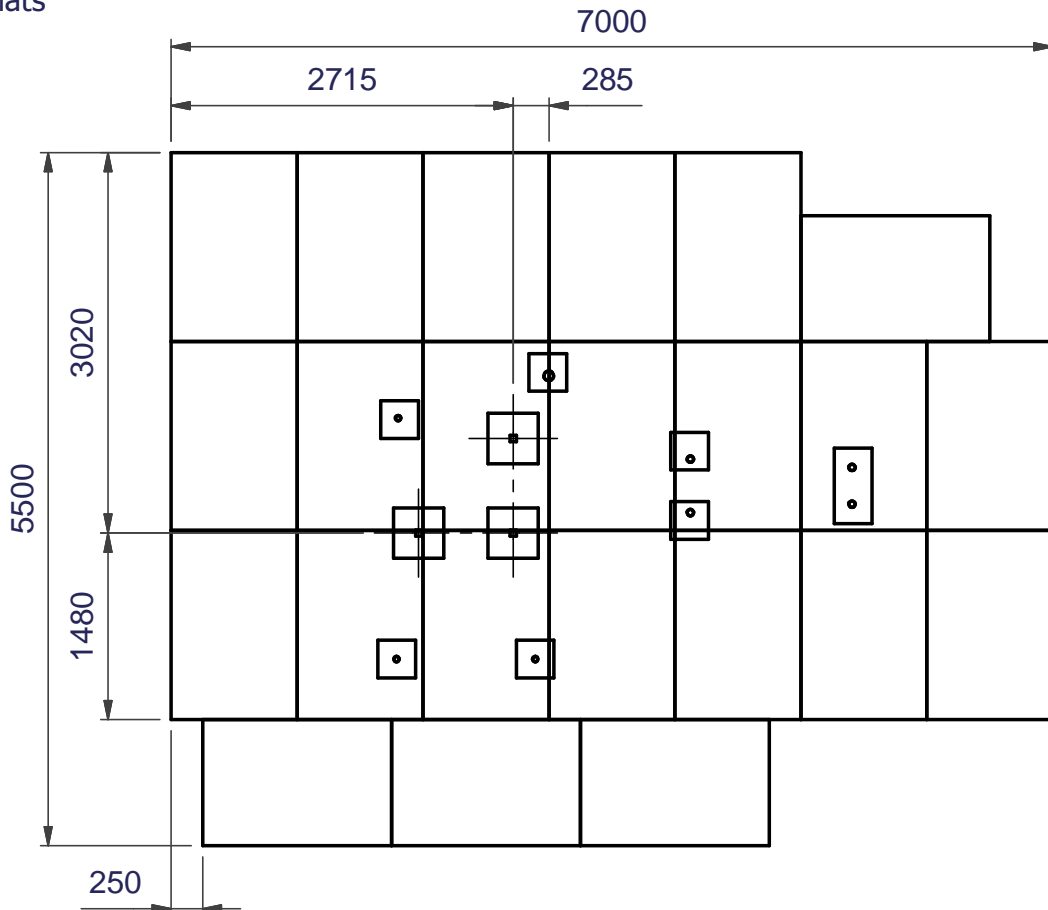
10.5 sq metres of 40mm wetpour

18.5 linear metres of edging

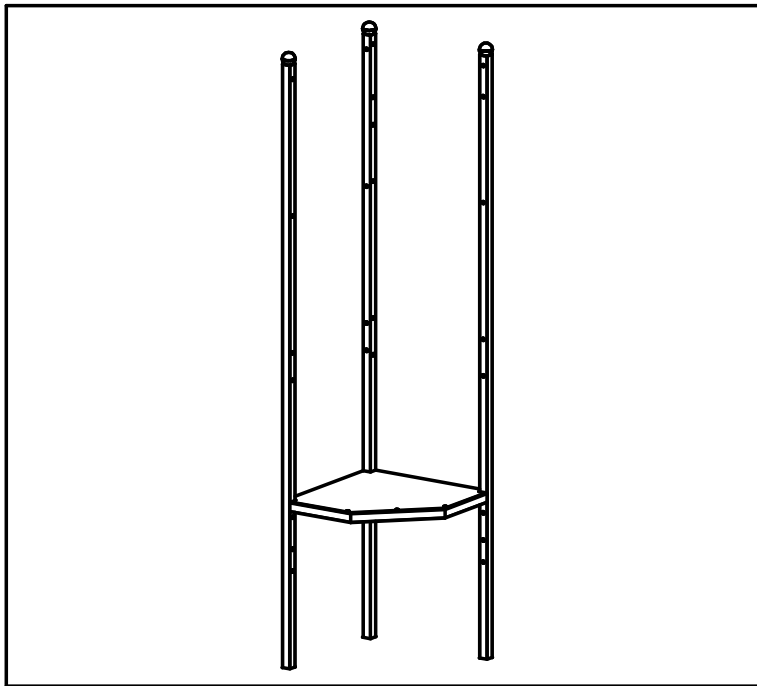



## Grass Mat Details

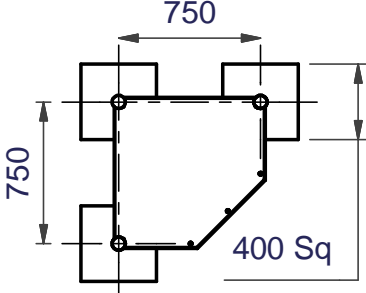
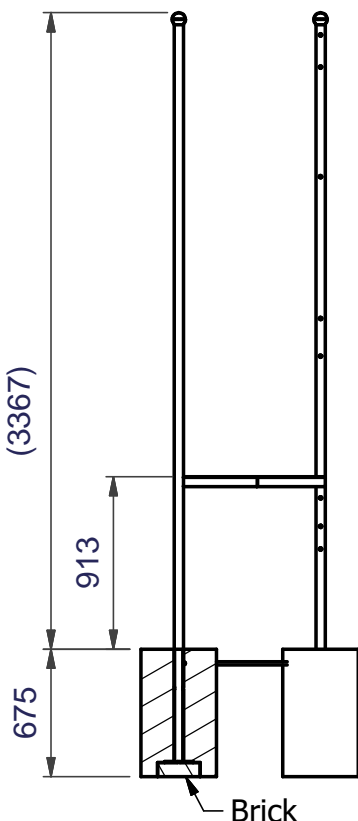
23 Grass mats



# Installation Instructions



<b>XS Cyclone</b>	
<b>Low Tower</b>	
PROD. CODE	5124-052
SIZE	0.8 x 0.8 x 3.37
AGE RANGE	6 Years to Adult
F/ FALL HEIGHT	913mm
HEAVIEST PART	Approx 81 Kg
TOTAL WEIGHT	Approx 81 Kg
	

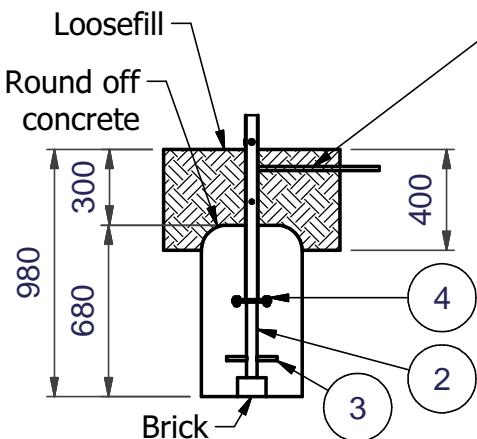



### Installation Instructions

Care must be taken in abnormal conditions

- 1 Read instructions thoroughly before commencing installation of unit.
- 2 Excavate foundations as shown in the foundation plan.
- 3 Position the tower on bricks in the excavated foundations, ensuring it is plumb, square and at the correct height, orientation and distance.
- 4 When the unit is fully assembled and all fixings secure, back fill the foundations with 0.3m<sup>3</sup> concrete (4 parts gravel/2 parts sand/1 part cement).
- 5 Allow concrete to set for 48 hours before first use

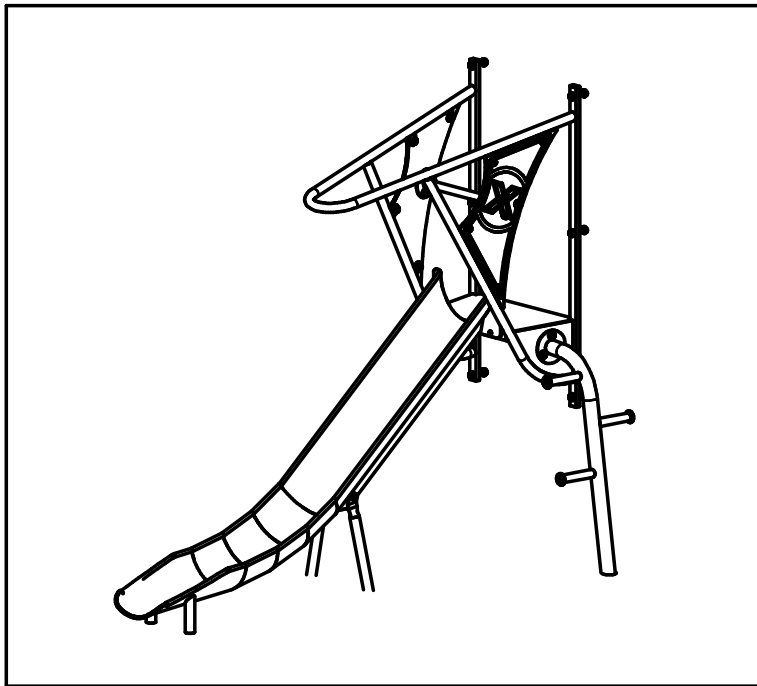
FOR BARK FIX ADD			
ITEM	QTY	PART NUMBER	DESCRIPTION
2	3	5071-003	BELOW GROUND ASSY
3	3	3031-010	SPRAGGING IRON
4	6	2175-134	M12 x 25 LG HEX HD SCREW



Remove bars back to uprights, smooth finish, no sharp edges. Paint untreated surfaces

Note:- 1. Ensure all installation aids are removed before first use.  
 2. Lifting Equipment or sufficient manpower should be used throughout installation.

# Installation Instructions



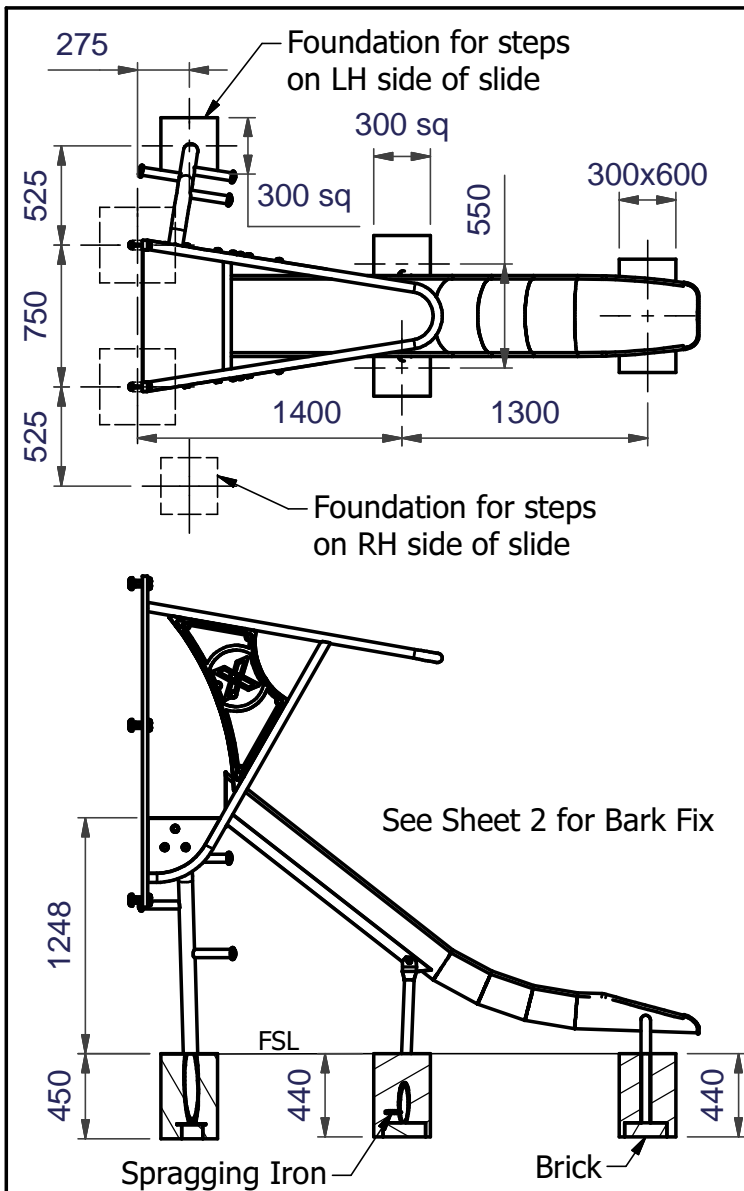
## XS Cyclone

### Low Slide

PROD. CODE	5124-058
SIZE	1.32 x 2.95 x 2.53
AGE RANGE	6 Years to Adult
F/ FALL HEIGHT	1500mm
HEAVIEST PART	Approx 55 Kg
TOTAL WEIGHT	Approx 136 Kg



100 YEARS OF PLAY  
SINCE 1918



## Installation Instructions

Care must be taken in abnormal conditions

Note:-

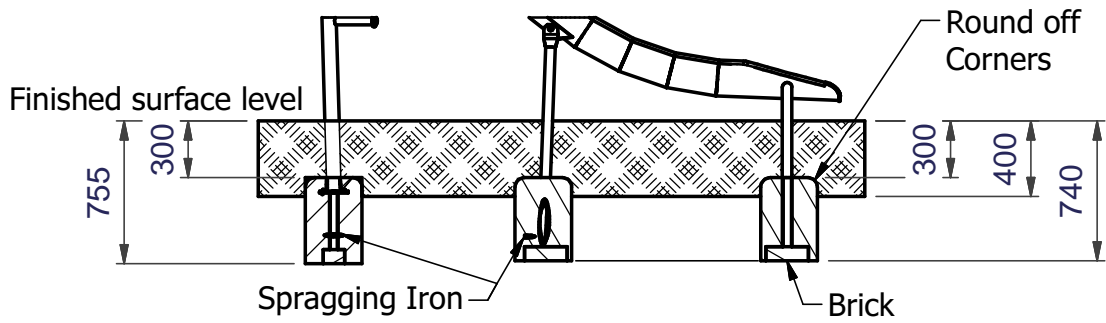
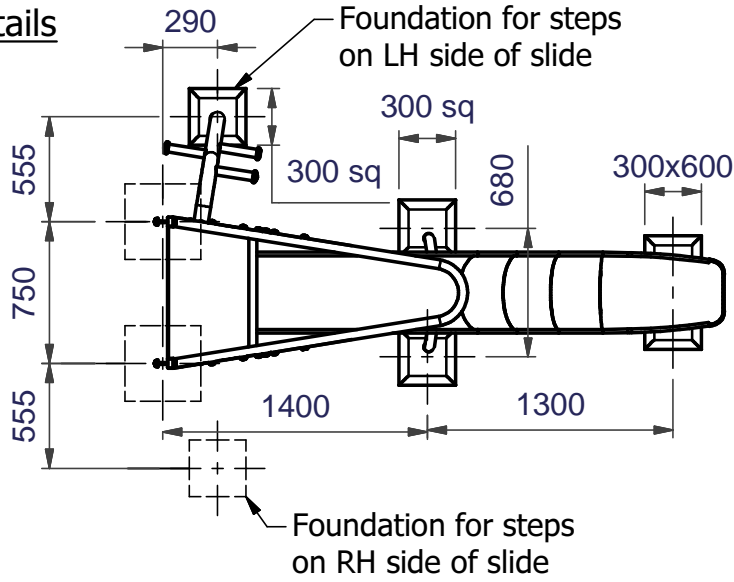
In accordance with 6.1.3 EN1176-1:2008 we recommend that slides do not face south or near due south due to heat build up

- 1 Read instructions thoroughly before commencing installation of unit.
- 2 Excavate foundations as shown in the foundation plan.
- 3 Attach outrigger frame to the tower as shown.
- 4 Position steps in their foundation hole on a brick and fit to frame as shown. Ensure blanking fixings are fitted in the opposite side of outrigger.
- 5 Attach the slide chute to the outrigger as shown, positioning the bottom end on bricks in the excavated foundation.
- 6 Fit the support legs to the slide chute, with the spragging irons, and place on a brick in the foundations hole.
- 7 When the unit is fully assembled and all fixings secure, back fill foundations with 0.16m<sup>3</sup> of concrete (4 parts gravel/ 2 parts sand/1 part cement).
- 8 Allow concrete to set for 48 hours before first use.

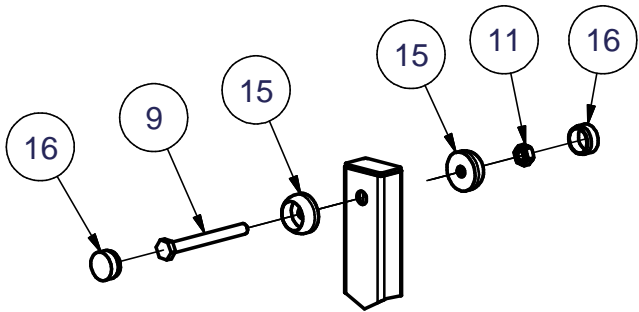
Note:- 1. Ensure all installation aids are removed before first use.

2. Lifting Equipment or sufficient manpower should be used throughout installation.

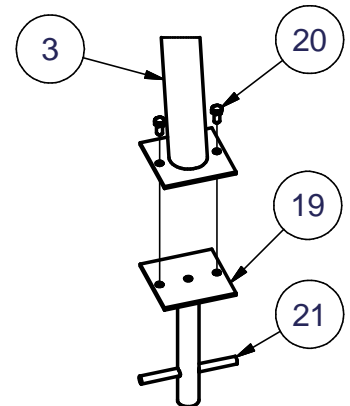
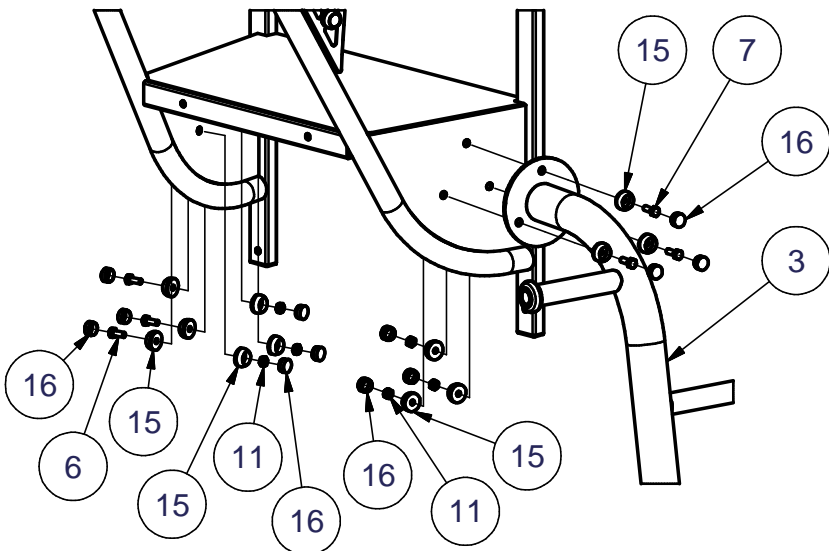
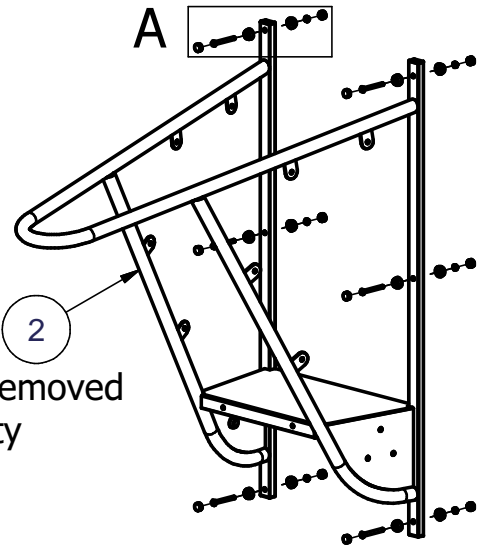
**Bark Fix details**



**Sliding Outrigger to Tower and Low Steps to Sliding Outrigger Assembly details**

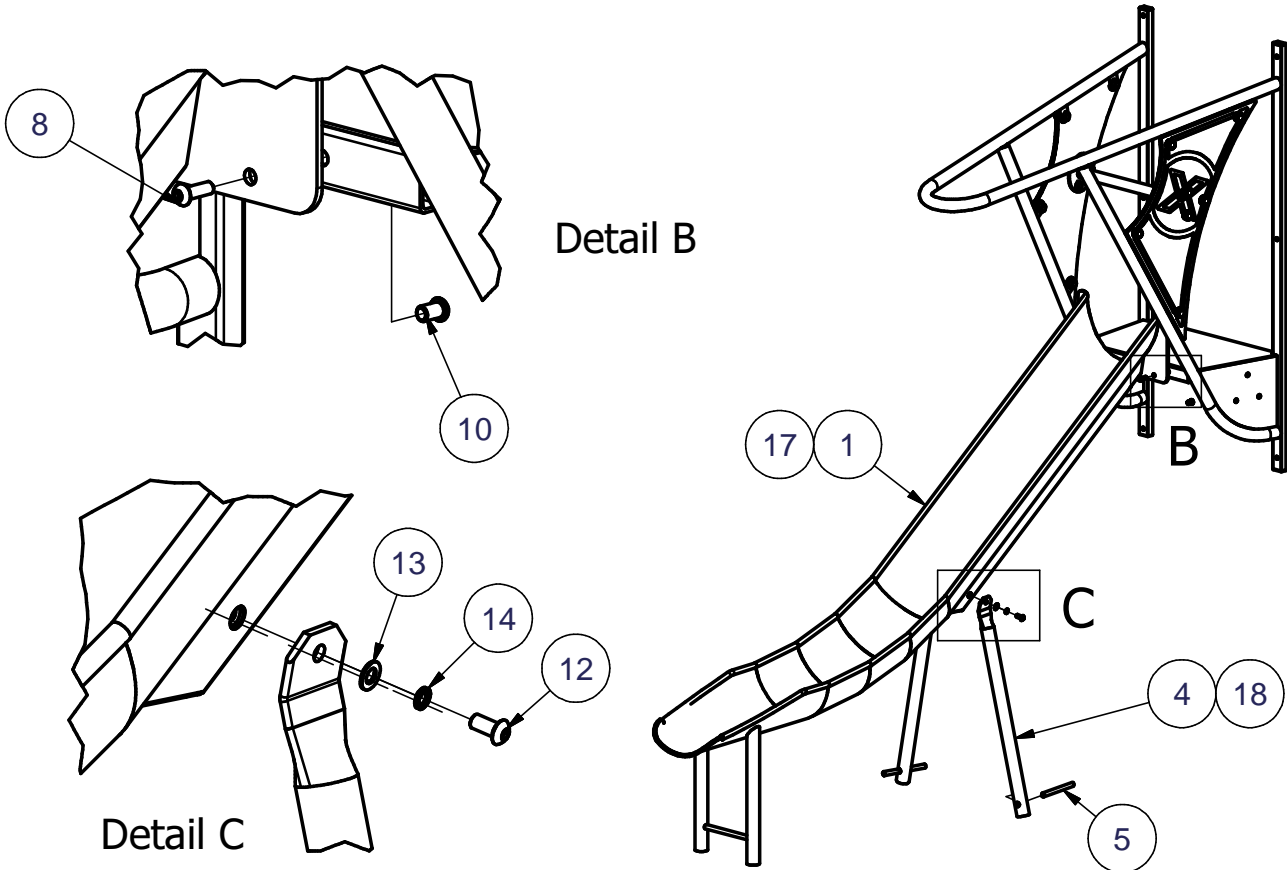


Detail A



For Bark Fix add the follow to Item 3

## Slide Chute to Sliding Outrigger and Support Legs to Chute Assembly details



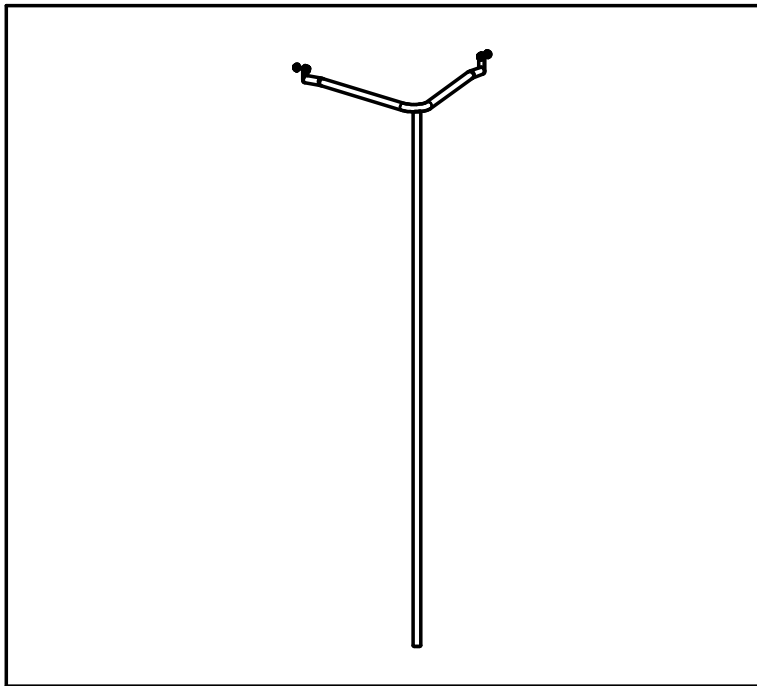
### PARTS LIST

ITEM	QTY	PART NUMBER	DESCRIPTION
1	1	5031-424	LOW SLIDE CHUTE
2	1	5101-003	Sliding Outrigger & Panel Assembly
3	1	4201-674	LOW STEPS
4	2	3001-031	SUPPORT LEG
5	2	3031-010	SPRAGGING IRON
6	3	2175-115	M10 x 25 LG HEX HD SCREW
7	3	2175-116	M10 x 30 LG HEX HD SCREW
8	2	2176-132	M10 x 30 Pent Button Head
9	6	2185-046	M10 x 100 Hex Head Bolt
10	2	2177-002	M10 Safety Fastener
11	12	2191-010	M10 Binx Nut
12	2	2176-176	M12 x 25 Pent Button Head
13	2	2215-509	M12 Plain Washer
14	2	2212-204	M12 Spring Washer
15	24	2611-031_Cup	Black Poeppelmann Cup
16	24	2611-031_Cap	Black Poeppelmann Cap


### BARK PARTS LIST

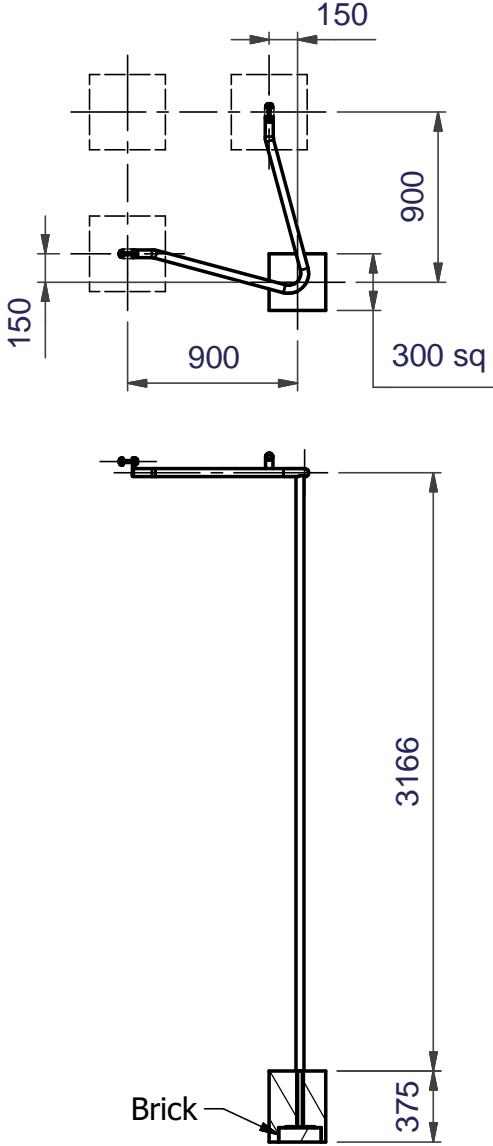
ITEM	QTY	PART NUMBER	DESCRIPTION
17	1	5031-426	LOW SLIDE CHUTE (BARK)
18	2	3001-042	SUPPORT LEG (BARK)
19	1	5071-003	BELOW GROUND ASSY
20	2	2175-134	M12 x 25 LG HEX HD SCREW
21	1	3031-010	SPRAGGING IRON

# Installation Instructions



XS Cyclone	
Fireman's Pole	
PROD. CODE	5124-059
SIZE	0.94 x 0.94 x 3.27
AGE RANGE	6 Years to Adult
F/ FALL HEIGHT	see tower
HEAVIEST PART	Approx 17.5 Kg
TOTAL WEIGHT	Approx 18 Kg

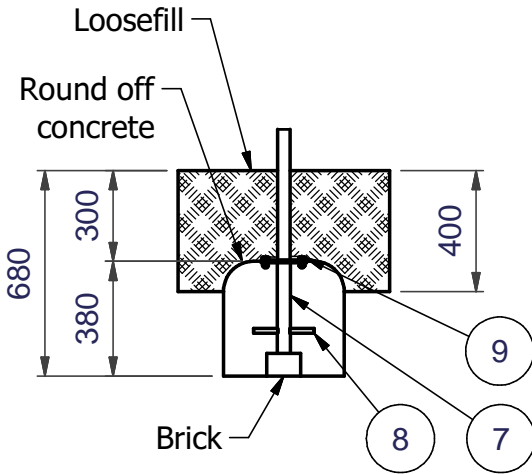




### Installation Instructions

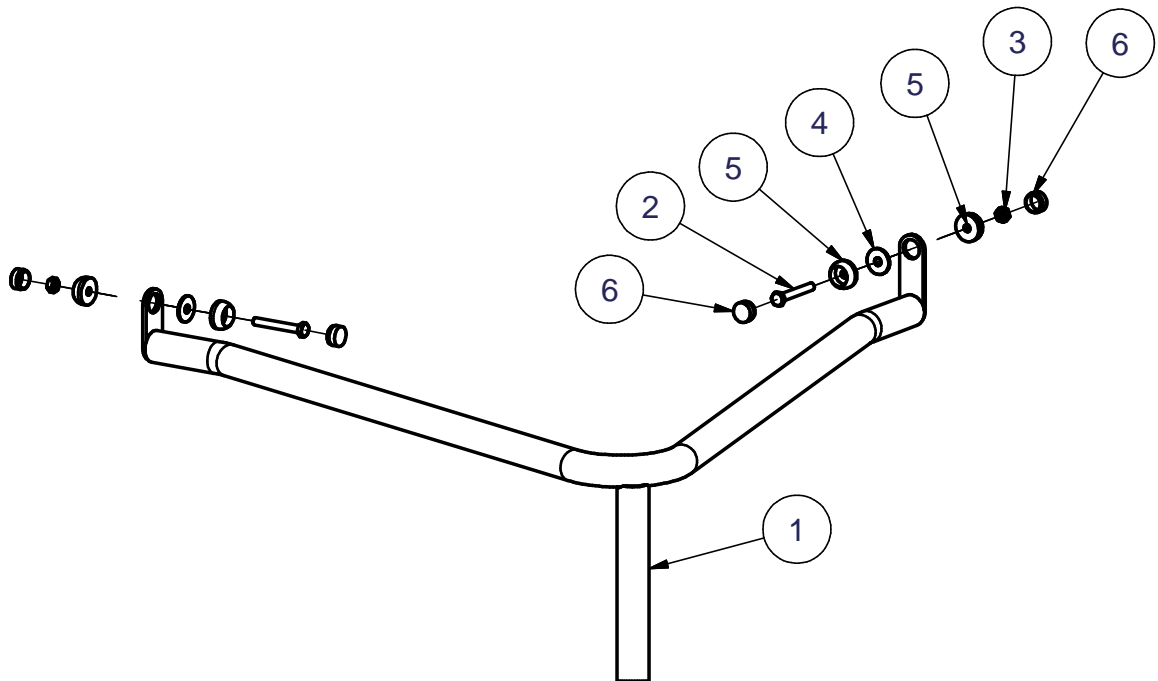
Care must be taken in abnormal conditions

- 1 Read instructions thoroughly before commencing installation of unit.
- 2 Excavate foundations as shown in the foundation plan.
- 3 Fit pole to tower as shown, ensuring pole is vertical and positioning on a brick in the excavated foundations.
- 4 When the unit is fully assembled and all fixings secure, back fill the foundations with 0.03m<sup>3</sup> concrete (4 parts gravel/2 parts sand/1 part cement).
- 5 Allow concrete to set for 48 hours before first use.



**Note:-** 1. Ensure all installation aids are removed before first use.  
 2. Lifting Equipment or sufficient manpower should be used throughout installation.





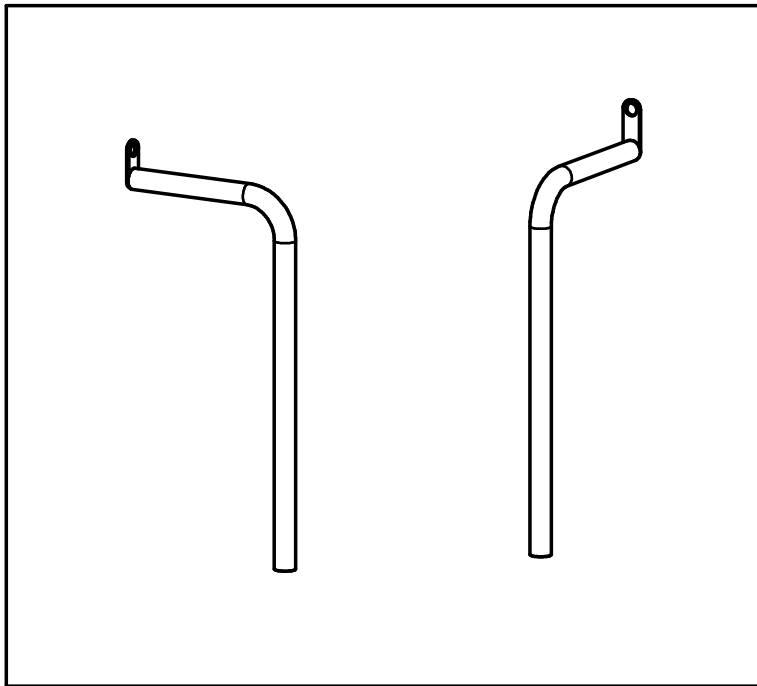
**Note**

Fixing may also be used to secure accessories on the other side of the tower upright

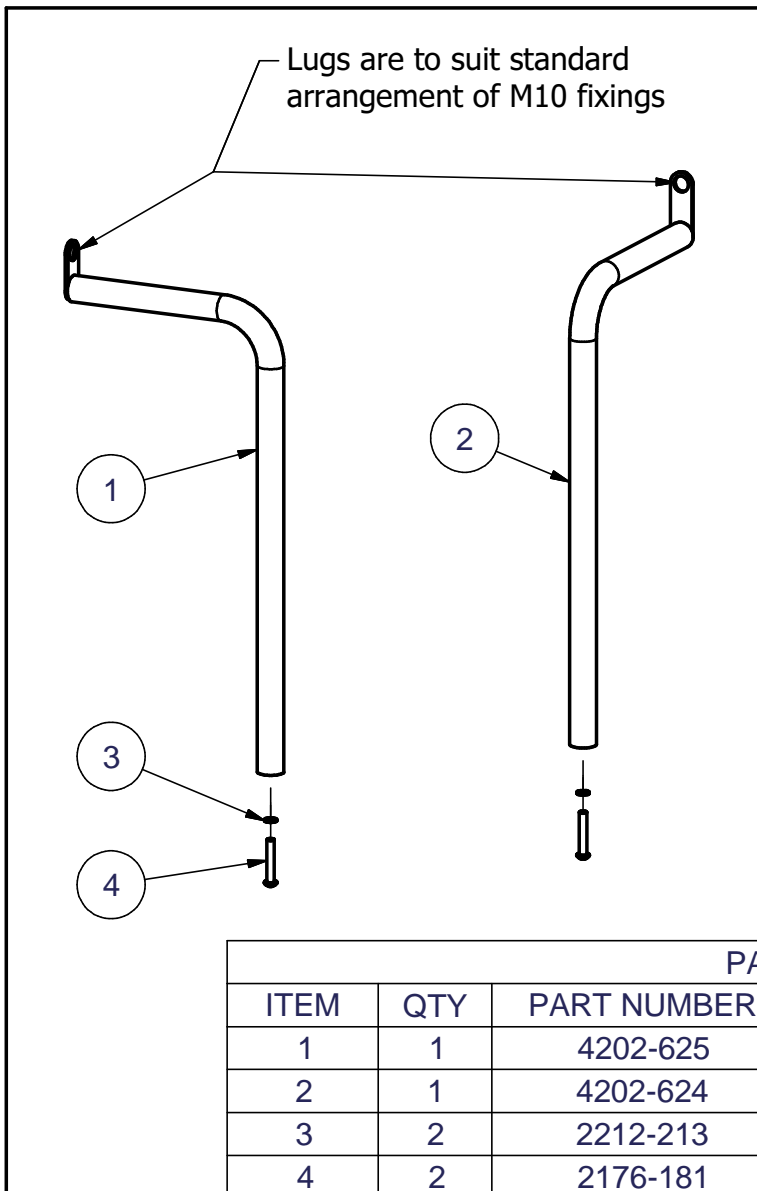
PARTS LIST			
ITEM	QTY	PART NUMBER	DESCRIPTION
1	1	4202-619	WELDED FIREMAN'S POLE
2	2	2185-043	M10 x 75 HEX HEAD BOLT
3	2	2191-010	M10 Binx Nut
4	2	2215-519	Wicksteed Washer
5	4	2611-031_Cup	Black Poeppelmann Cup
6	4	2611-031_Cap	Black Poeppelmann Cap

FOR BARK FIX ADD			
ITEM	QTY	PART NUMBER	DESCRIPTION
7	1	5071-003	BELOW GROUND ASSY
8	1	3031-010	SPRAGGING IRON
9	2	2175-134	M12 x 25 LG HEX HD SCREW

# Installation Instructions



<b>XS Cyclone</b>	
<b>Handrails</b>	
PROD. CODE	5124-061
SIZE	
AGE RANGE	6 Years to Adult
F/ FALL HEIGHT	N/A
HEAVIEST PART	Approx 3.7 Kg
TOTAL WEIGHT	Approx 7.5 Kg



## Installation Instructions

Care must be taken in abnormal conditions

- 1 Read instructions thoroughly before commencing installation of unit.
- 2 Position handrail on tower.
- 3 Fix in place using fixings from adjacent accessories and as shown.
- 4 Where there are no adjacent accessories fixings are supplied as part of the unit.

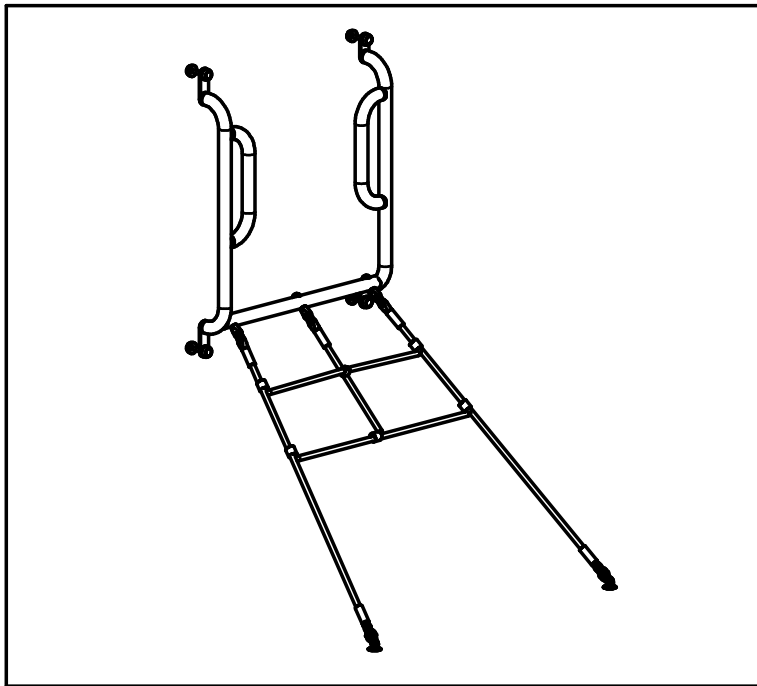
### PARTS LIST

ITEM	QTY	PART NUMBER	DESCRIPTION
1	1	4202-625	HANDRAIL ASSY (SHORT CLEAT)
2	1	4202-624	HANDRAIL ASSY (LONG CLEAT)
3	2	2212-213	M12 NORD LOCK WASHER
4	2	2176-181	M12 x 70 Pent Button Head


Note:- 1. Ensure all installation aids are removed before first use.

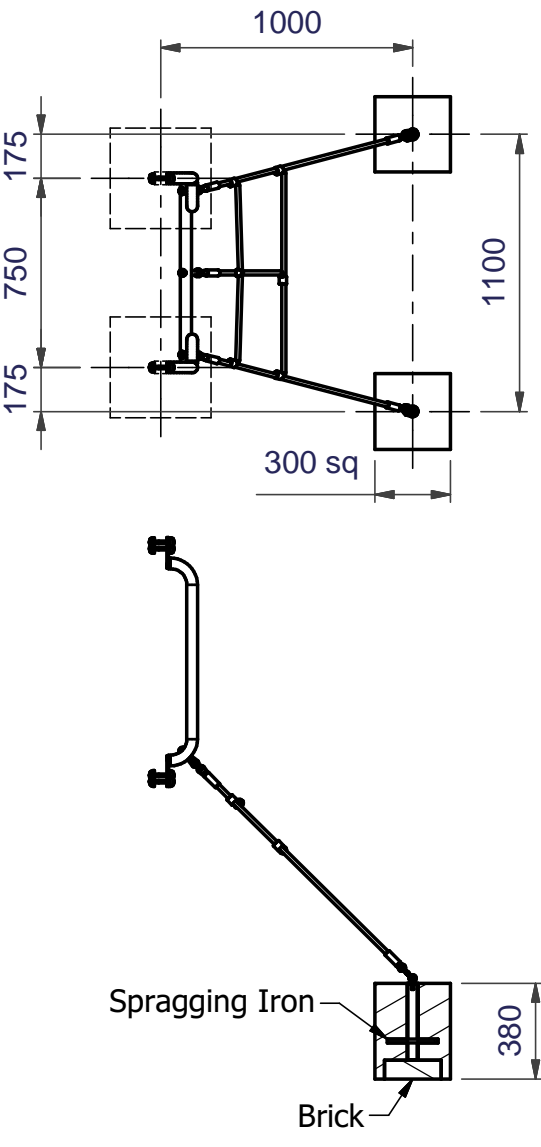
2. Lifting Equipment or sufficient manpower should be used throughout installation.

# Installation Instructions



XS Cyclone Scramble Net	
PROD. CODE	5124-064
SIZE	1 x 1.15 x 1.77
AGE RANGE	6 Years to Adult
F/ FALL HEIGHT	920mm
HEAVIEST PART	Approx 11.5 Kg
TOTAL WEIGHT	Approx 17 Kg

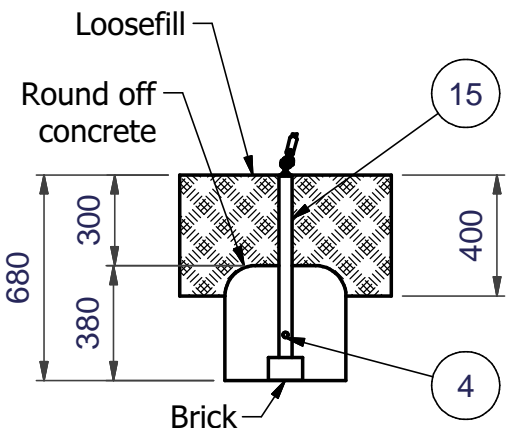




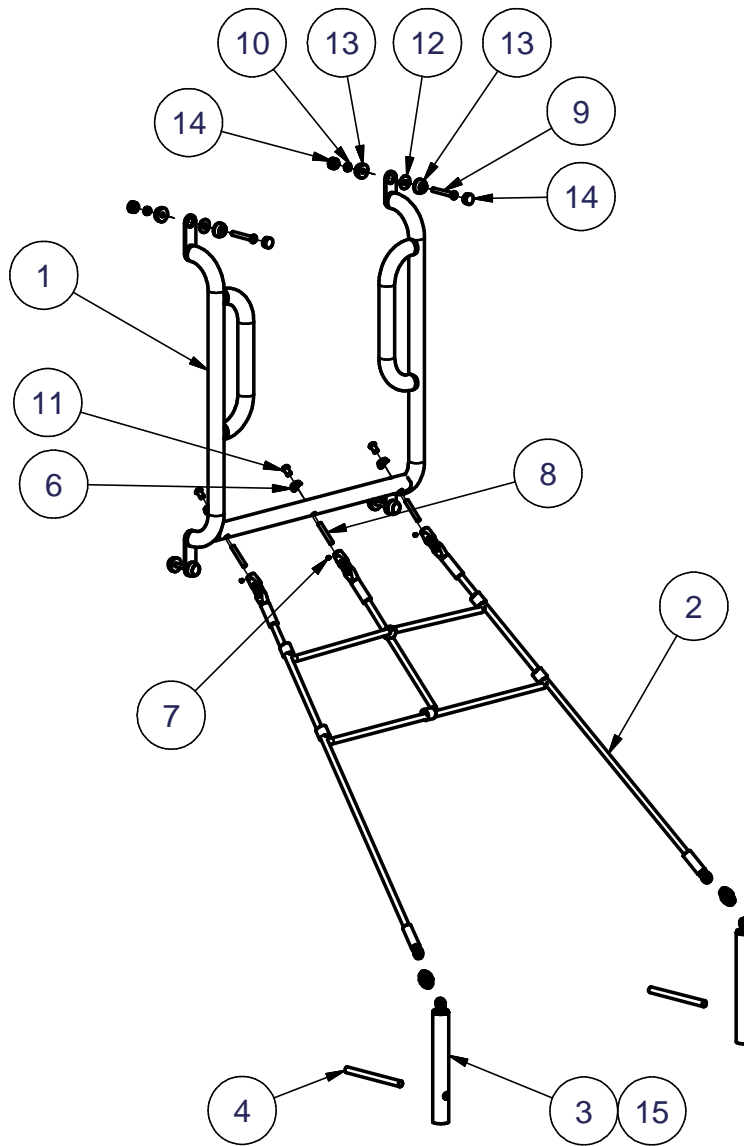
### Installation Instructions

Care must be taken in abnormal conditions

- 1 Read instructions thoroughly before commencing installation of unit.
- 2 Excavate foundations as shown.
- 3 Fit net support to tower as shown.
- 4 Attach rope assembly to net rope fittings as shown.
- 5 Position ground fixings in their foundation holes on a brick and fix to net as shown.
- 6 When the unit is fully assembled and fixings secure, back fill the foundations with 0.06m<sup>3</sup> of concrete (4 parts gravel/2 parts sand/1 part cement).
- 7 Allow concrete to set for 48 hours before first use.



**Note:-** 1. Ensure all installation aids are removed before first use.  
 2. Lifting Equipment or sufficient manpower should be used throughout installation.



PARTS LIST			
ITEM	QTY	PART NUMBER	DESCRIPTION
1	1	4202-628	NET FRAME
2	1	4141-181	NET ASSY
3	2	5071-024	BELOW GROUND FIXING ASSY
4	2	3031-010	SPRAGGING IRON
5	2	4061-237	Shackle Link Assembly
6	3	3711-051	32 NBT SADDLE WASHER
7	3	2171-101	M6x6 Grub Screw
8	3	3033-044	M10 x 65 Stud
9	4	2185-043	M10 x 75 HEX HEAD BOLT
10	4	2191-010	M10 Binx Nut
11	3	2177-002	M10 Safety Fastener
12	4	2215-519	Wicksteed Washer
13	8	2611-031_Cup	Black Poeppelmann Cup
14	8	2611-031_Cap	Black Poeppelmann Cap

FOR BARK FIX REPLACE ITEM 3 WITH			
ITEM	QTY	PART NUMBER	DESCRIPTION
15	2	5071-026	BARK BELOW GROUND FIXING