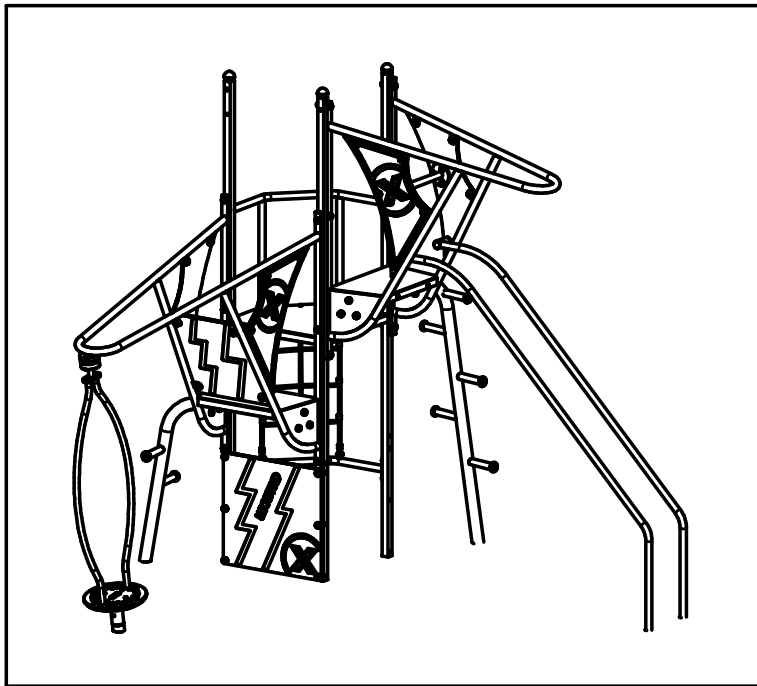


Installation Instructions



XS Cyclone

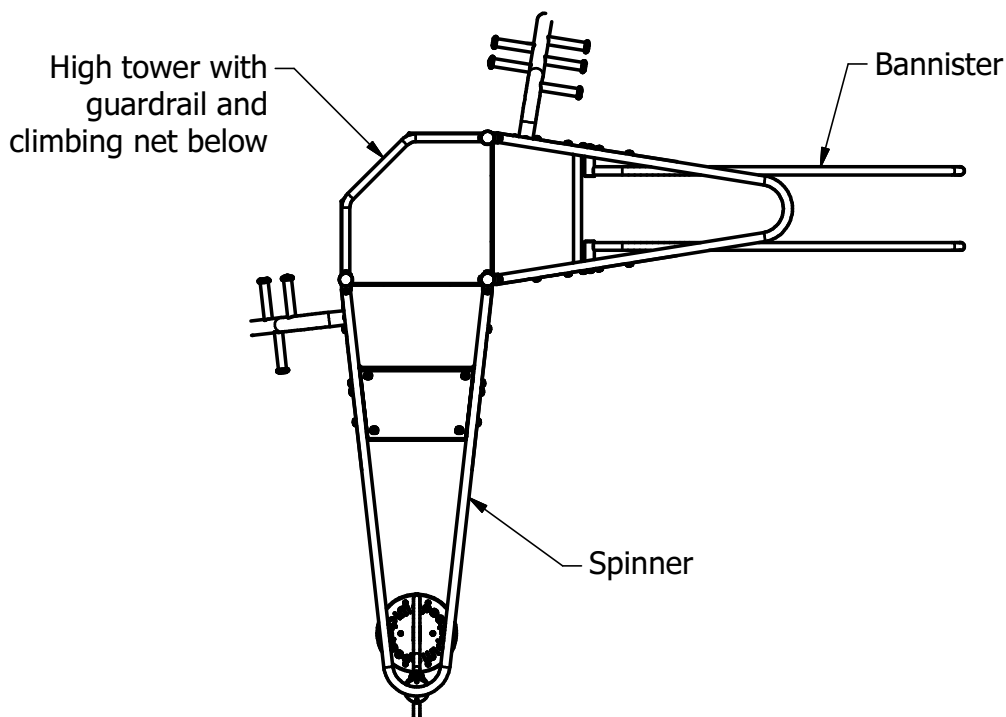
Baroc

PROD. CODE	801-BARO
SIZE	3815x3375x3750
AGE RANGE	6 Years to Adult
F/ FALL HEIGHT	2000mm
HEAVIEST PART	See Attached
TOTAL WEIGHT	See Attached



100 YEARS OF PLAY
SINCE 1918

Layout Details



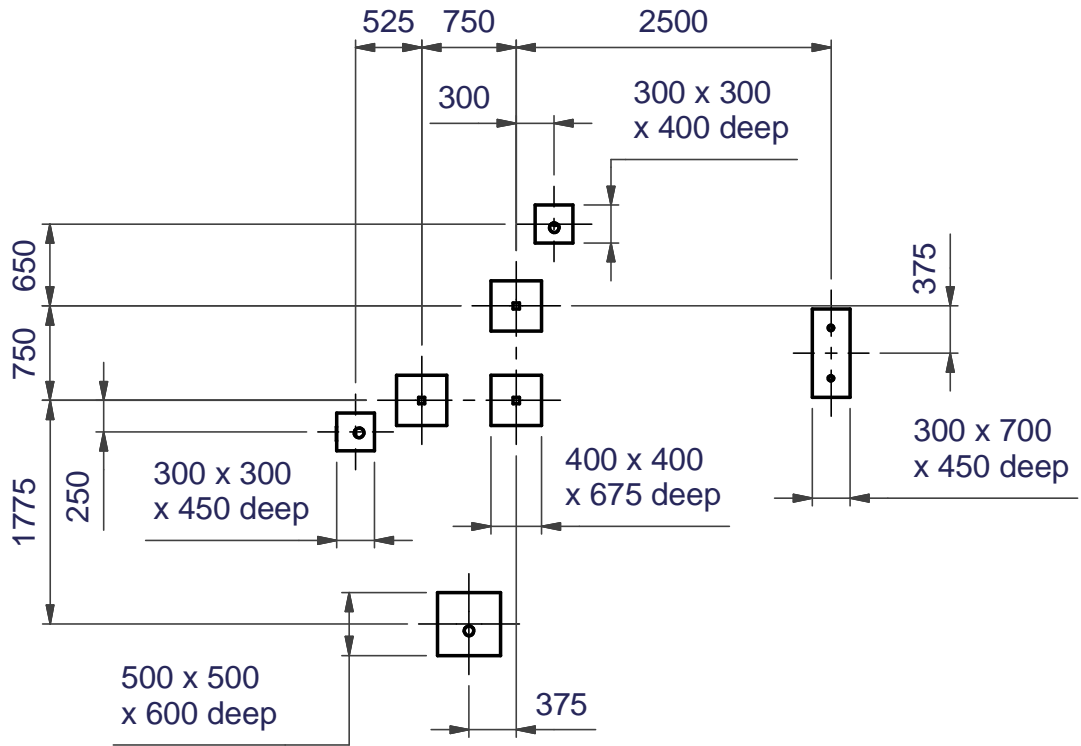
General Installation Instructions

- 1 Read instructions thoroughly before commencing installation of unit. For additional instruction on each unit see appropriate sheets attached.
- 2 Note:- In accordance with 6.1.3 EN1176-1:2008 we recommend that slides do not face south or near due south due to heat build up.
- 3 Excavate foundations as shown in the foundation plan.

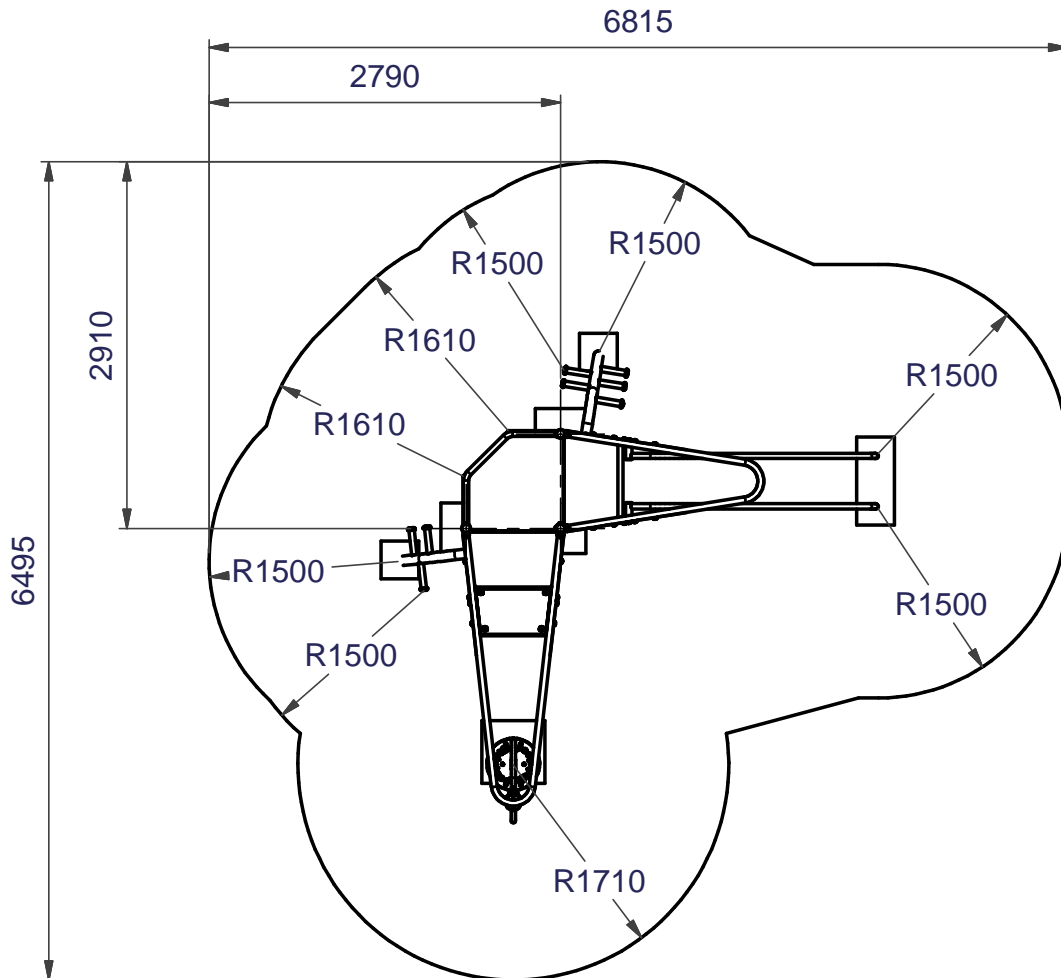
Note:- 1. Ensure all installation aids are removed before first use.

2. Lifting Equipment or sufficient manpower should be used throughout installation.

Foundation Details

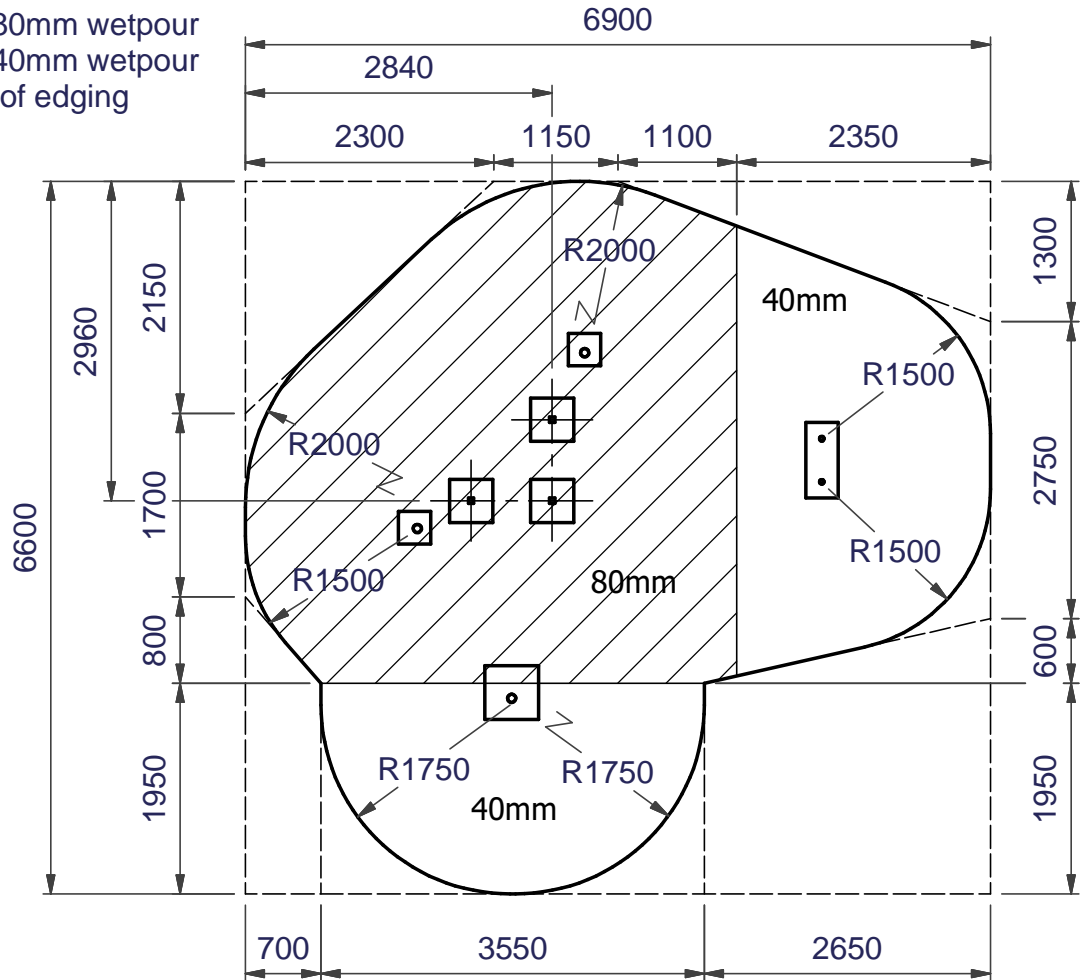


Minimum Space



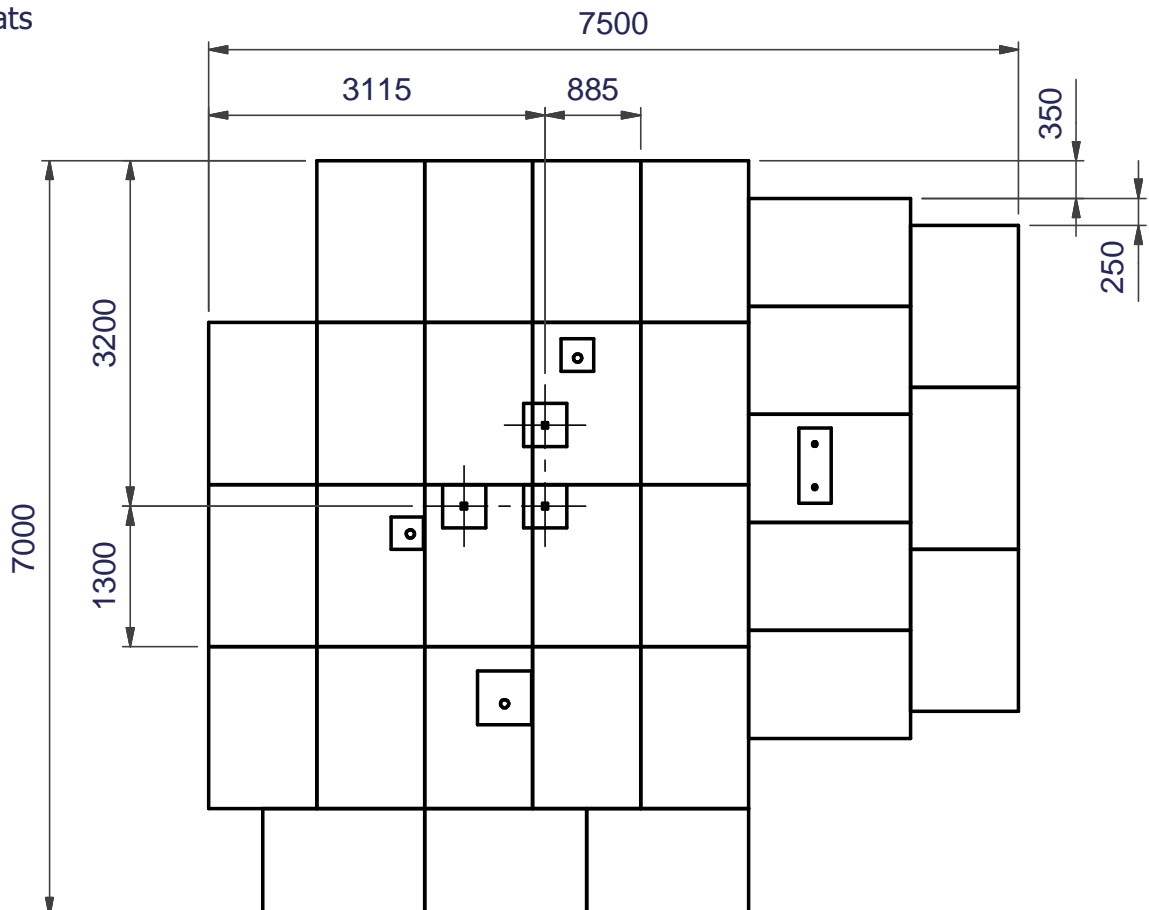
Wetpour Details

18.0 sq metres of 80mm wetpour
 13.5 sq metres of 40mm wetpour
 21.5 linear metres of edging

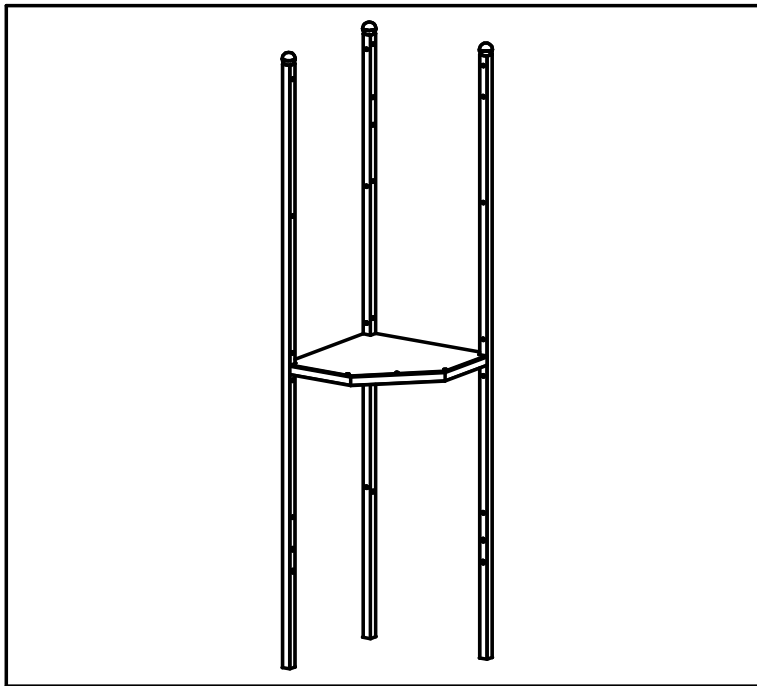


Grass Mat Details

30 Grass mats



Installation Instructions



XS Cyclone High Tower	
PROD. CODE	5124-051
SIZE	0.8 x 0.8 x 3.37
AGE RANGE	6 Years to Adult
F/ FALL HEIGHT	1663mm
HEAVIEST PART	Approx 81 Kg
TOTAL WEIGHT	Approx 81 Kg



Installation Instructions

Care must be taken in abnormal conditions

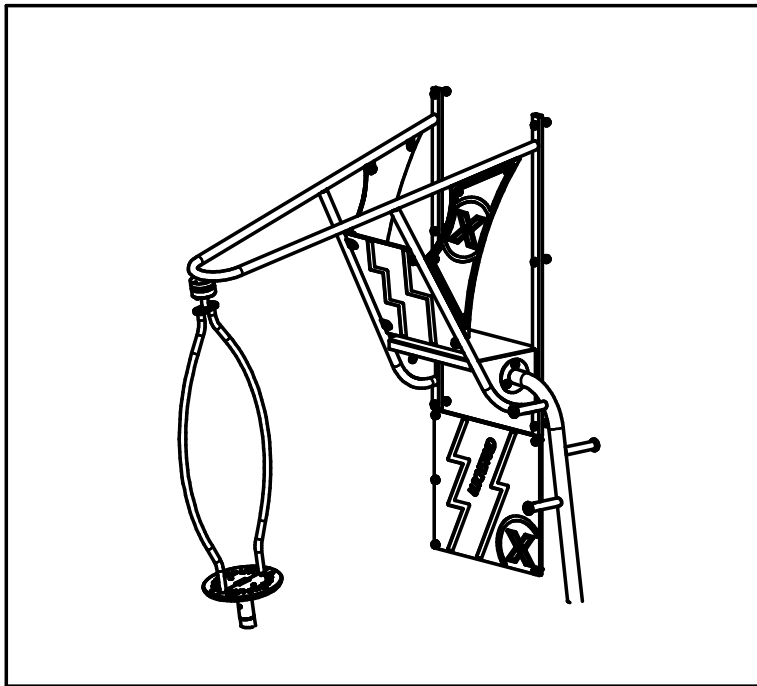
- 1 Read instructions thoroughly before commencing installation of unit.
- 2 Excavate foundations as shown in the foundation plan.
- 3 Position the tower on bricks in the excavated foundations, ensuring it is plumb, square and at the correct height, orientation and distance.
- 4 When the unit is fully assembled and all fixings secure, back fill the foundations with 0.3m³ concrete (4 parts gravel/2 parts sand/1 part cement).
- 5 Allow concrete to set for 48 hours before first use

FOR BARK FIX ADD			
ITEM	QTY	PART NUMBER	DESCRIPTION
2	3	5071-003	BELOW GROUND ASSY
3	3	3031-010	SPRAGGING IRON
4	6	2175-134	M12 x 25 LG HEX HD SCREW

Remove bars back to uprights, smooth finish, no sharp edges. Paint untreated surfaces

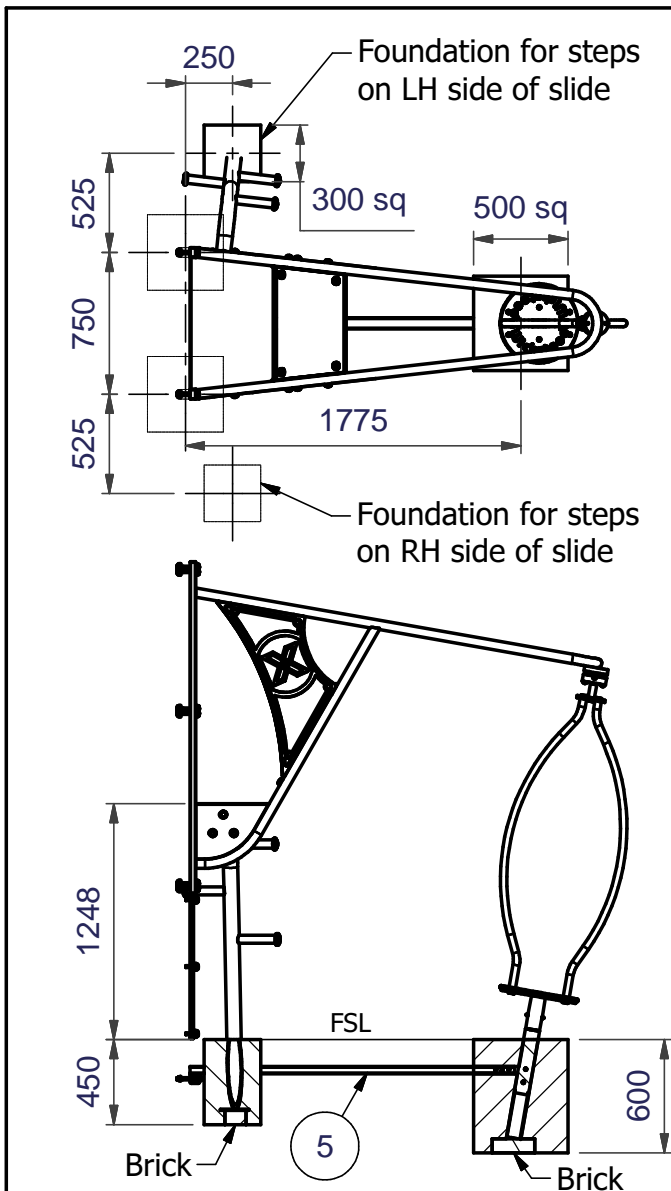
Note:- 1. Ensure all installation aids are removed before first use.
2. Lifting Equipment or sufficient manpower should be used throughout installation.

Installation Instructions



XS Cyclone Spinner

PROD. CODE	5124-055
SIZE	1.32 x 2.32 x 2.53
AGE RANGE	6 Years to Adult
F/ FALL HEIGHT	1250mm
HEAVIEST PART	Approx 62 Kg
TOTAL WEIGHT	Approx 158 Kg



Installation Instructions

Care must be taken in abnormal conditions

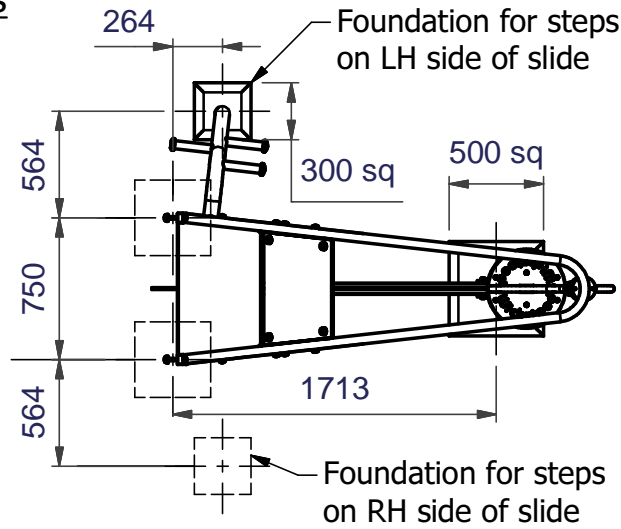
- 1 Read instructions thoroughly before commencing installation of unit
- 2 Excavate foundations as shown in the foundation plan
- 3 Attach outrigger frame to the tower as shown. Outrigger side panels should already be fitted to the outrigger frame. Fit the tower panel to the tower as shown
- 4 Position steps in their foundation hole on a brick and fit to frame as shown. Ensure blanking fixings are fitted in the opposite side of outrigger
- 5 Attach the T-bar to the tower as shown
- 6 Attach the spinner assembly to the outrigger and T-bar as shown. Support the spindle on a brick. Ensure the spinner rotates freely
- 7 When the unit is fully assembled and all fixings secure, back fill foundations with 0.18m³ of concrete (4 parts gravel/ 2 parts sand/1 part cement)
- 8 Allow concrete to set for 48 hours before first use

See Sheet 2 for Bark Fix

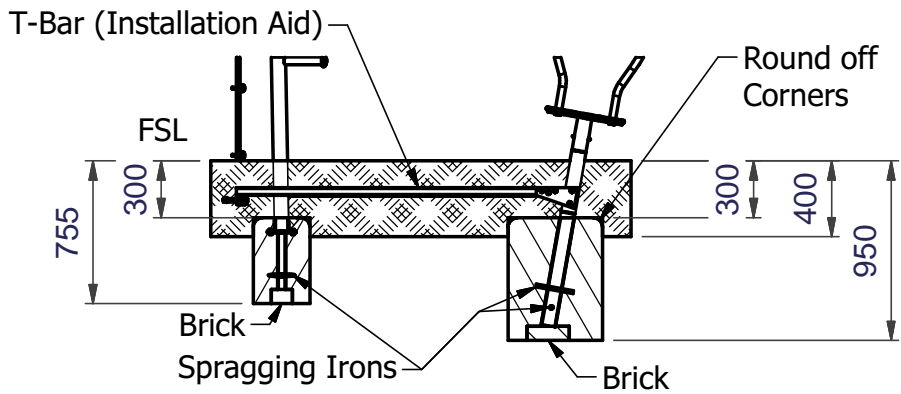
Note:- 1. Ensure all installation aids are removed before first use.

2. Lifting Equipment or sufficient manpower should be used throughout installation.

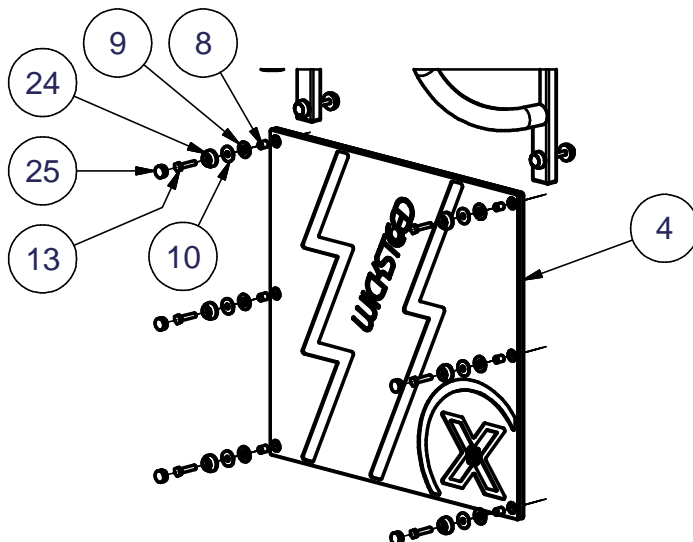
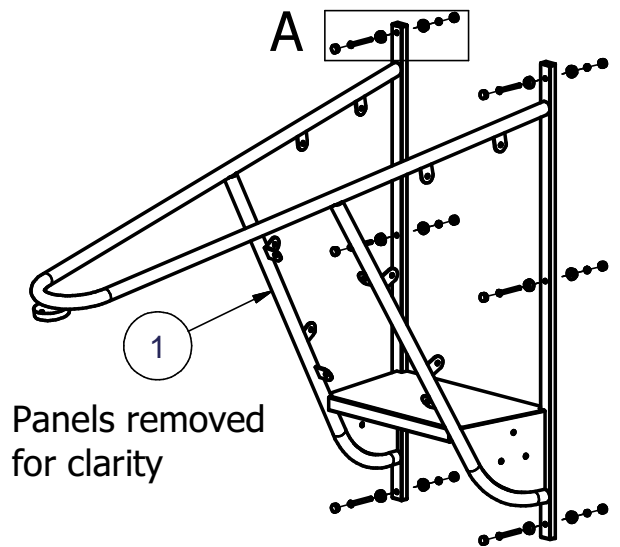
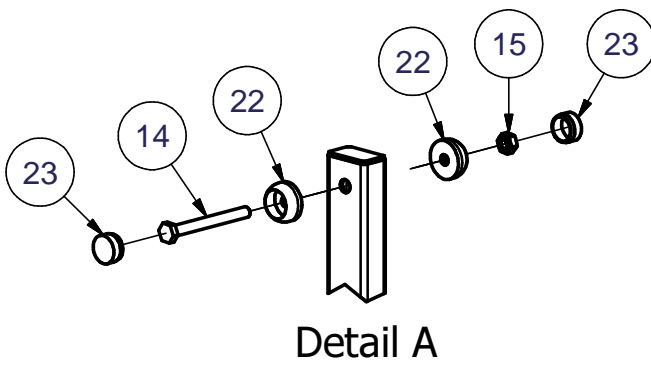
Bark Fix details



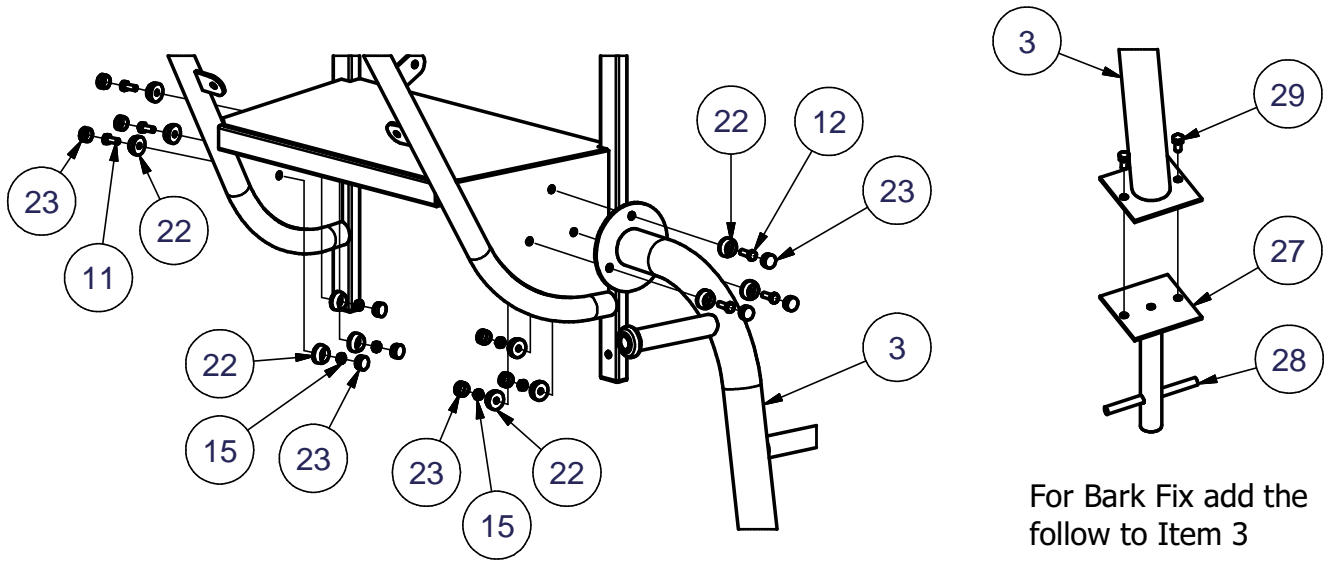
IMPORTANT
Remove installation Aid before first use



Sliding Outrigger and Lower Panel to Tower Assembly details

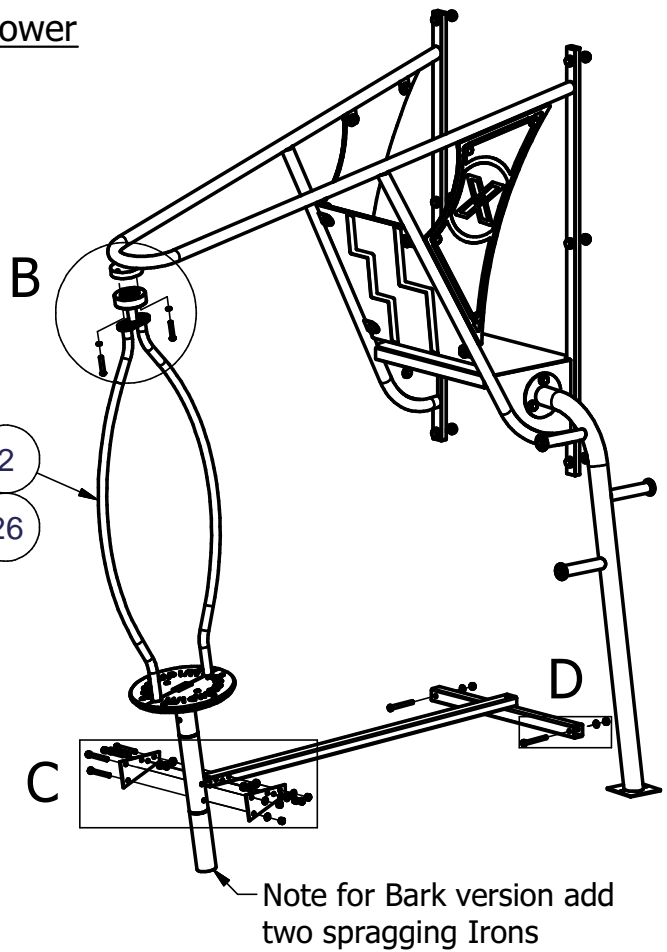
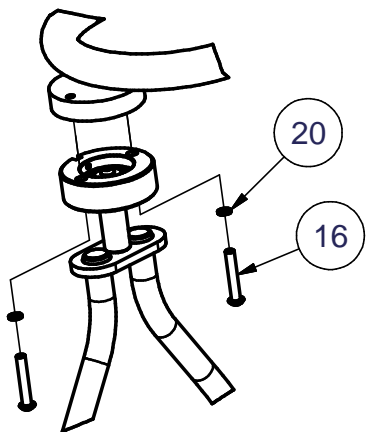


Low Steps to Sliding Outrigger Assembly details

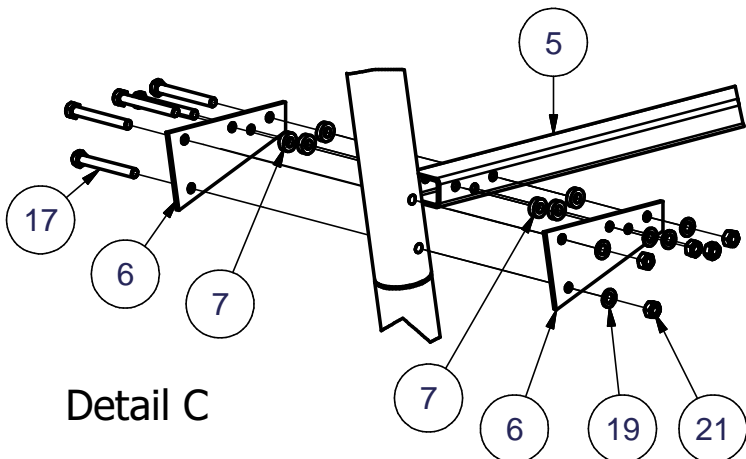


Spinner fitting to outrigger, T-bar and tower

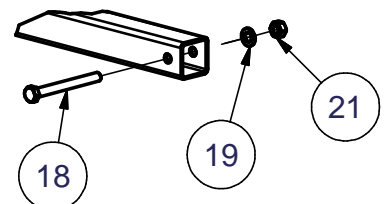
Detail B



Detail C



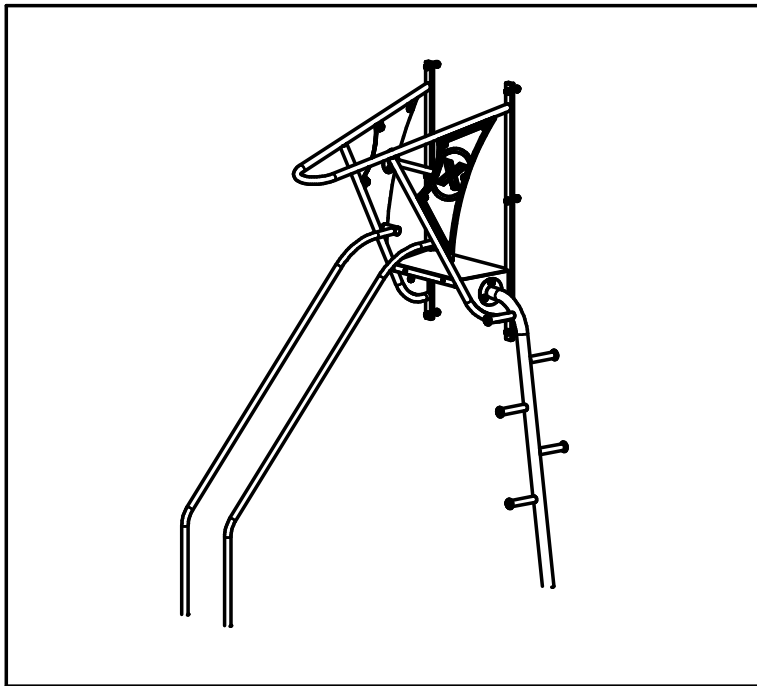
Detail D



PARTS LIST			
ITEM	QTY	PART NUMBER	DESCRIPTION
1	1	5101-002	Spinner Outrigger & Panel Assembly
2	1	5094-057	Spinner Assembly
3	1	4201-674	LOW STEPS
4	1	3756-059	SPINNER TOWER PANEL
5	1	4202-334	T-Bar W.A.
6	2	3201-220	Angle Plate
7	6	3030-430	Spacer
8	6	2472-003	FIXING SPACER
9	6	2900-041	NEOPRENE WASHER
10	6	2215-519	Wicksteed Washer
11	3	2175-115	M10 x 25 LG HEX HD SCREW
12	3	2175-116	M10 x 30 LG HEX HD SCREW
13	6	2185-038	M10 x 50 Hex Head Bolt
14	6	2185-046	M10 x 100 Hex Head Bolt
15	12	2191-010	M10 Binx Nut
16	2	2176-181	M12 x 70 Pent Button Head
17	5	2185-081	M12 x 100 HEX HD BOLT
18	2	2185-083	M12 x 120 HEX HD BOLT
19	7	2215-509	M12 Plain Washer
20	2	2212-204	M12 Spring Washer
21	7	2193-007	M12 Nut
22	24	2611-031_Cup	Black Poeppelmann Cup
23	24	2611-031_Cap	Black Poeppelmann Cap
24	6	2611-032_Cup	Blue Poeppelmann Cup
25	6	2611-032_Cap	Blue Poeppelmann Cap

BARK PARTS LIST			
ITEM	QTY	PART NUMBER	DESCRIPTION
26	1	5094-057	Spinner Assembly (Loosefill)
27	1	5071-003	BELOW GROUND ASSY
28	3	3031-010	SPRAGGING IRON
29	2	2175-134	M12 x 25 LG HEX HD SCREW

Installation Instructions



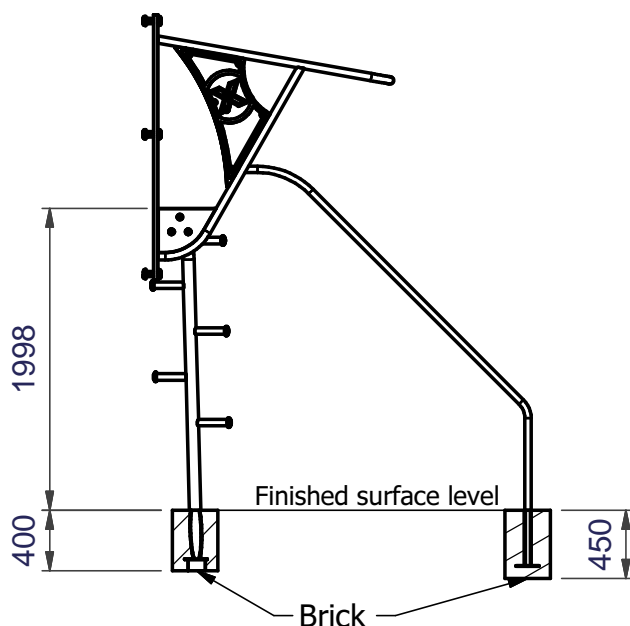
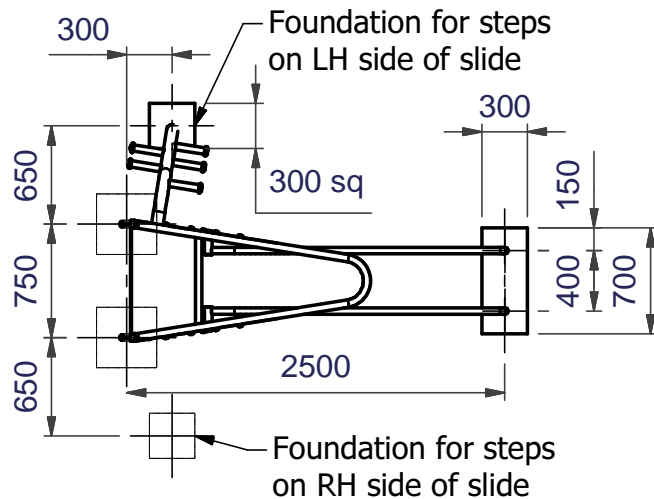
XS Cyclone

Bannister

PROD. CODE	5124-056
SIZE	1.45 x 2.52 x 3.28
AGE RANGE	6 Years to Adult
F/ FALL HEIGHT	2000mm
HEAVIEST PART	Approx 55 Kg
TOTAL WEIGHT	Approx 110 Kg



100 YEARS OF PLAY
SINCE 1918



Installation Instructions

Care must be taken in abnormal conditions

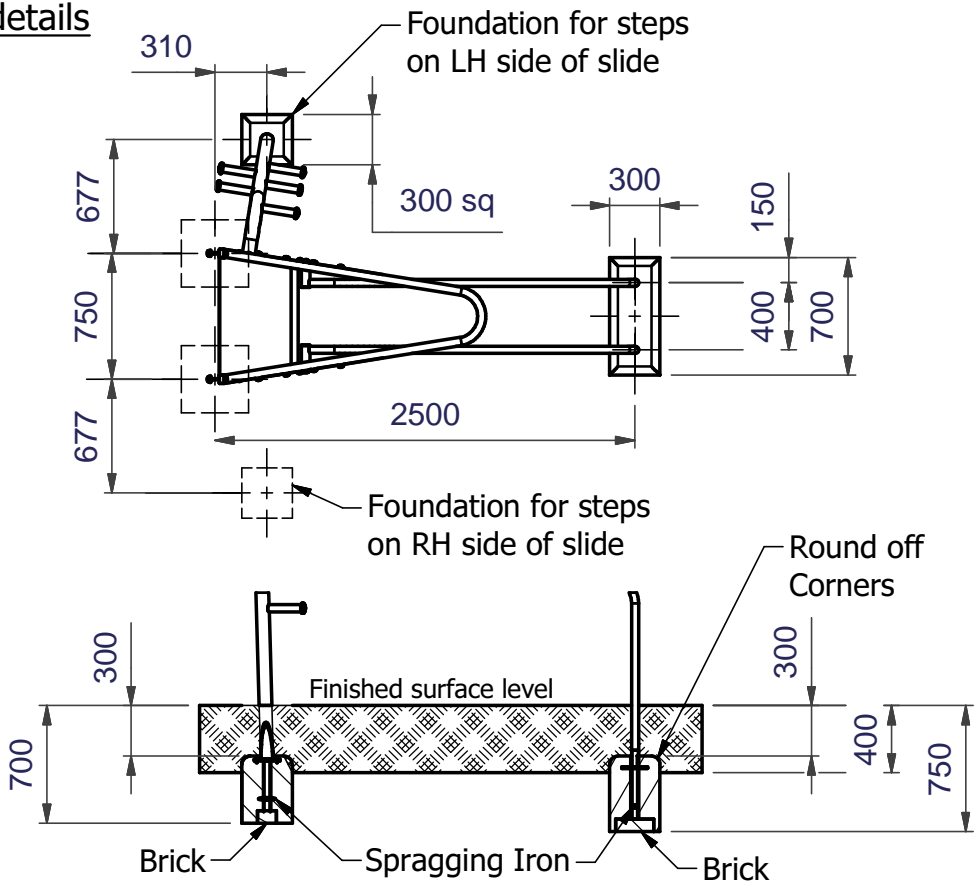
- 1 Read instructions thoroughly before commencing installation of unit
- 2 Excavate foundations as shown in the foundation plan
- 3 Attach outrigger frame to the tower as shown. Outrigger side panels should already be fitted to the outrigger frame - with three fixings only
- 4 Position steps in their foundation hole on a brick and fit to frame as shown. Ensure blanking fixings are fitted in the opposite side of outrigger
- 5 Attach the bannister tubes to the outrigger as shown
- 6 Fit the bottom ends of the bannister tubes together as shown, and place on a brick in the foundations hole
- 7 When the unit is fully assembled and all fixings secure, back fill foundations with 0.1m³ of concrete (4 parts gravel/ 2 parts sand/1 part cement)
- 8 Allow concrete to set for 48 hours before first use

See Sheet 2 for Bark Fix

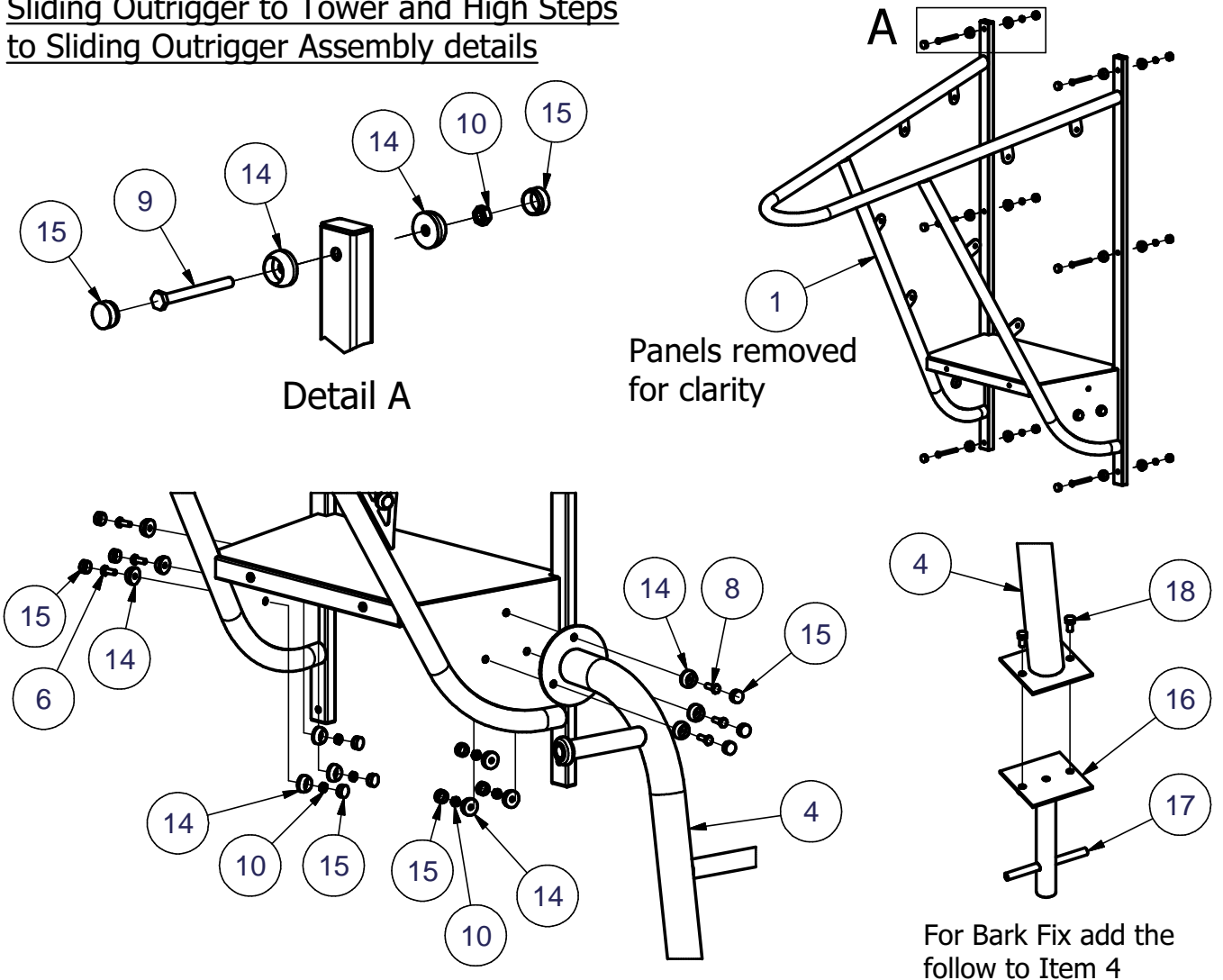
Note:- 1. Ensure all installation aids are removed before first use.

2. Lifting Equipment or sufficient manpower should be used throughout installation.

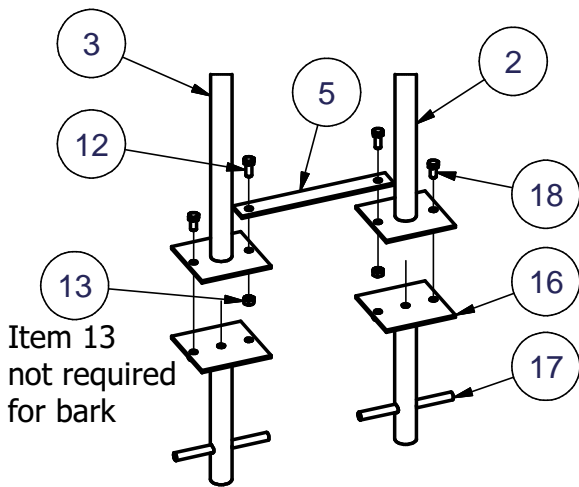
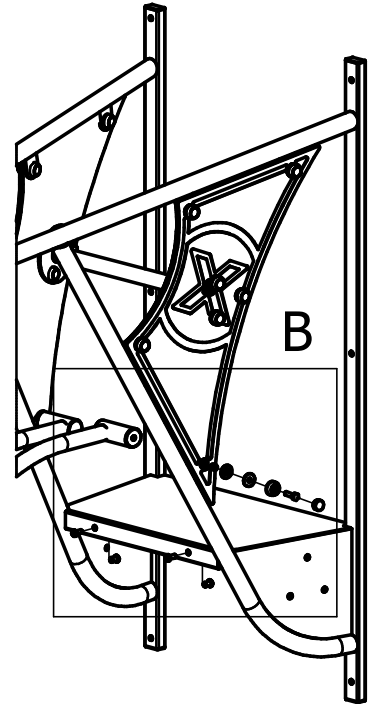
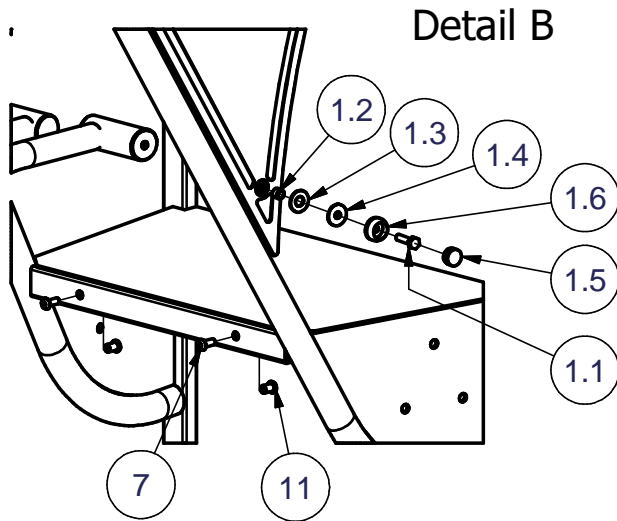
Bark Fix details



Sliding Outrigger to Tower and High Steps to Sliding Outrigger Assembly details



Bannisters to Sliding Outrigger Assembly details



Note:-

Where the bannisters are used on the Tropo unit the following applies:
 Remove 3 off 2175-115 M10 x 25 hex head screw
 Add 3 off 2175-116 M10 x 30 hex head screw (making 6 off total) and 1 off 4201-677 high steps (making 2 off total)

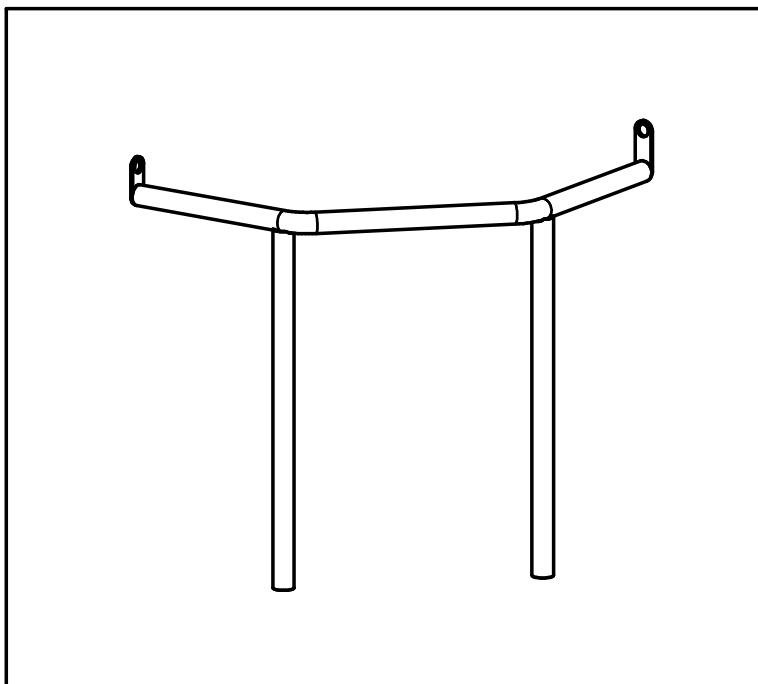
PARTS LIST


ITEM	QTY	PART NUMBER	DESCRIPTION
1	1	5101-003	Sliding Outrigger & Panel Assembly
1.1	2	2185-036	M10 x 40 Hex Head Bolt
1.2	2	2472-007	FIXING SPACER (THIN PANELS)
1.3	2	2900-041	NEOPRENE WASHER
1.4	2	2215-519	Wicksteed Washer
1.5	2	2611-032_Cap	Blue Poeppelmann Cap
1.6	2	2611-032_Cup	Blue Poeppelmann Cup
2	1	4202-616	LH BANNISTER
3	1	4202-615	RH BANNISTER
4	1	4201-677	HIGH STEPS
5	1	3069-008	SPACING BAR
6	3	2175-115	M10 x 25 LG HEX HD SCREW
7	2	2176-126	M10 x 25 Pent Button Head
8	3	2175-116	M10 x 30 LG HEX HD SCREW
9	6	2185-046	M10 x 100 Hex Head Bolt
10	12	2191-010	M10 Binx Nut
11	2	2177-002	M10 Safety Fastener
12	2	2175-135	M12 x 30 LG HEX HD SCREW
13	2	2193-007	M12 Nut
14	24	2611-031_Cup	Black Poeppelmann Cup
15	24	2611-031_Cap	Black Poeppelmann Cap

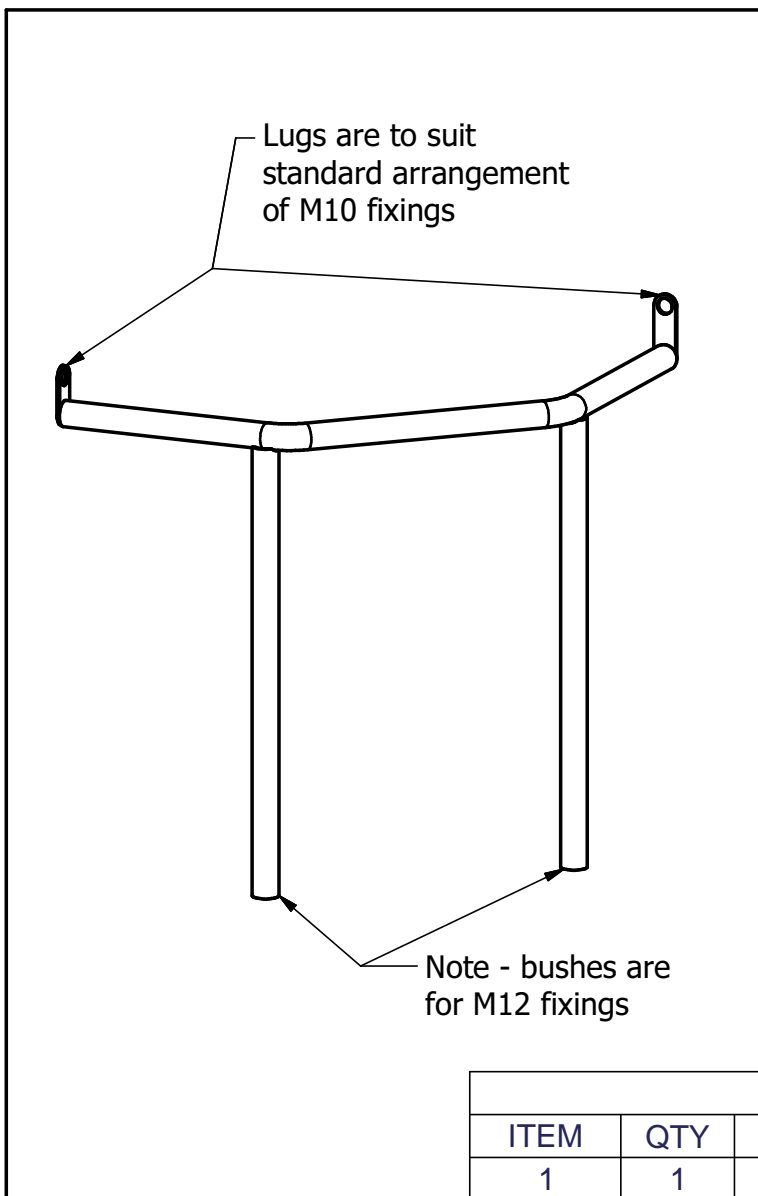
BARK PARTS LIST

ITEM	QTY	PART NUMBER	DESCRIPTION
16	3	5071-003	BELOW GROUND ASSY
17	3	3031-010	SPRAGGING IRON
18	4	2175-134	M12 x 25 LG HEX HD SCREW

Installation Instructions



XS Cyclone	
Guard Rail	
PROD. CODE	5124-060
SIZE	1.06 x 0.32 x 0.86
AGE RANGE	6 Years to Adult
F/ FALL HEIGHT	N/A
HEAVIEST PART	Approx 9 Kg
TOTAL WEIGHT	Approx 9 Kg
	



Installation Instructions

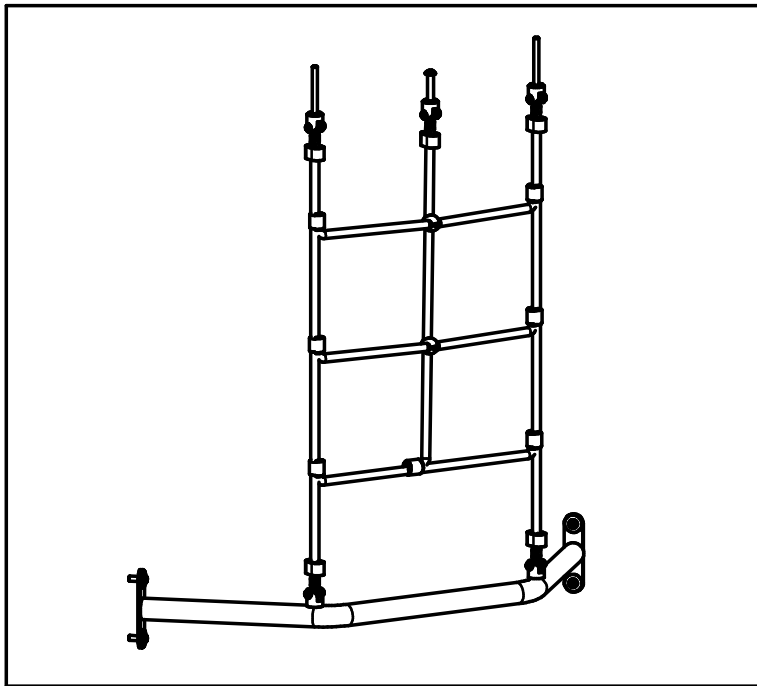
Care must be taken in abnormal conditions

- 1 Read instructions thoroughly before commencing installation of unit.
- 2 Position guardrail on tower.
- 3 Fix in place using fixings from adjacent accessories.
- 4 Where there are no adjacent accessories fixings are supplied as part of the unit.

PARTS LIST			
ITEM	QTY	PART NUMBER	DESCRIPTION
1	1	4202-623	GUARDRAIL ASSY

Note:- 1. Ensure all installation aids are removed before first use.
2. Lifting Equipment or sufficient manpower should be used throughout installation.

Installation Instructions



XS Cyclone Climbing Net	
PROD. CODE	5124-062
SIZE	1.06 x 0.31 x 1.04
AGE RANGE	6 Years to Adult
F/ FALL HEIGHT	1670mm
HEAVIEST PART	Approx 4.5 Kg
TOTAL WEIGHT	Approx 7 Kg

Fit thro' deck

Fit into accessory

Fit into uprights

Installation Instructions

Care must be taken in abnormal conditions

- 1 Read instructions thoroughly before commencing installation of unit
- 2 Position net support assembly against tower and fix as shown
- 3 Fit net support bolts and chain bolt head to deck and accessory as shown
- 4 Attach rope assembly to rope fittings as shown

PARTS LIST			
ITEM	QTY	PART NUMBER	DESCRIPTION
1	1	5101-004	Net and Net Support Assembly
5	4	2215-519	Wicksteed Washer
6	3	2212-211	M16 Nord Lock Washer
9	1	2176-181	M12 x 70 Pent Button Head
11	4	2176-132	M10 x 30 Pent Button Head

Note:- 1. Ensure all installation aids are removed before first use.
 2. Lifting Equipment or sufficient manpower should be used throughout installation.