

Typical panel shown  
See pages 2, 3 and 4 for all panel variations

## Toddler

### Freestanding Double Panel

PROD. CODE	6070-145 to -173
SIZE	595x1565x160mm
AGE RANGE	2 to 8 Years
F/ FALL HEIGHT	N/A
HEAVIEST PART	Approx 14 Kg
TOTAL WEIGHT	Approx 32 Kg



### SPECIFICATION

Solid steel components to EN 10087:1998  
Steel plate to EN 10025-2:2004  
Steel RHS to EN 10210-2:1997  
Welding to EN ISO 14341:2011  
HDPE to EN ISO 14632: 1998

Polyester powder paint to EN 13438:2005  
Standard fixings to BS 3692:2001 and  
BS 4190:2001  
Non-standard fixings are anti-vandal and  
corrosion resistant

### INSTALLATION INSTRUCTIONS

- 1 Read installation instructions through before commencing erection of unit.
- 2 Do NOT tighten fastenings until the unit is completely assembled
- 3 Excavate foundations in accordance with the details shown in the foundation plan.
- 4 Place Panel Frame in prepared foundation, ensuring is plumb and square.
- 5 Prop upright and backfill foundations with concrete. Allow 48 hours drying time.

Concrete to be mixed to:

- 1 part Cement
- 2 parts Sand
- 4 parts Gravel

Amount of concrete required = 0.09m<sup>3</sup> (0.09m<sup>3</sup> for Bark Fixed)

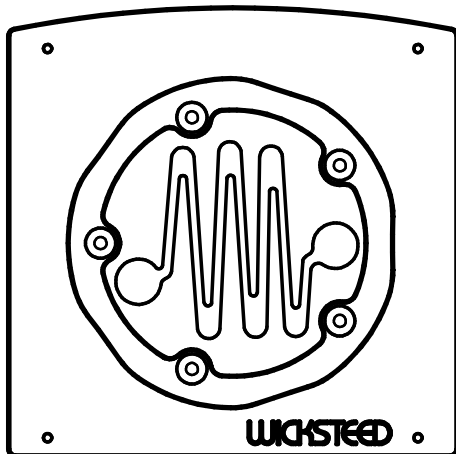
Note

Note

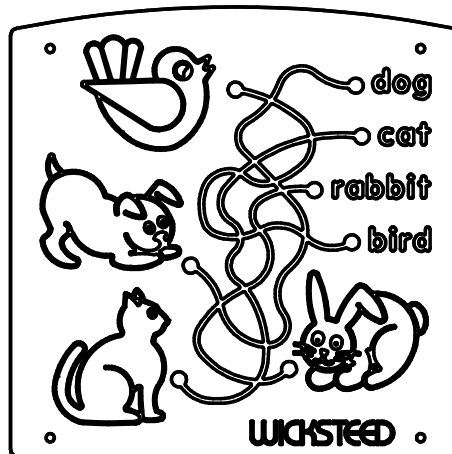
Ensure all installation aids are removed before first use.

## Double Panel Variations attached to a Frame

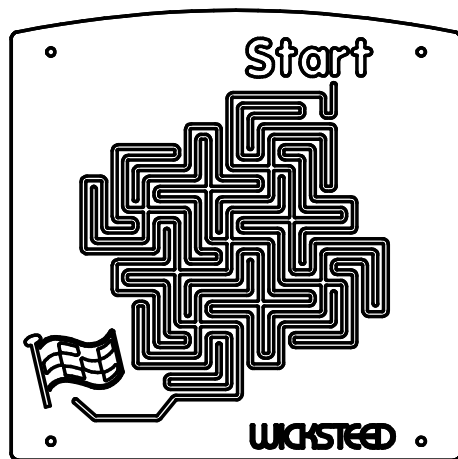
1. Select any two panels from pages 2 and 3.
2. Product code available from Table on page 4



**Sands of Time**



**Animal Maze**



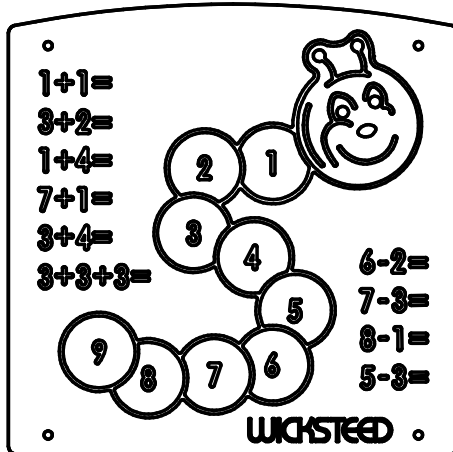
**Motor Racing Circuit Maze**



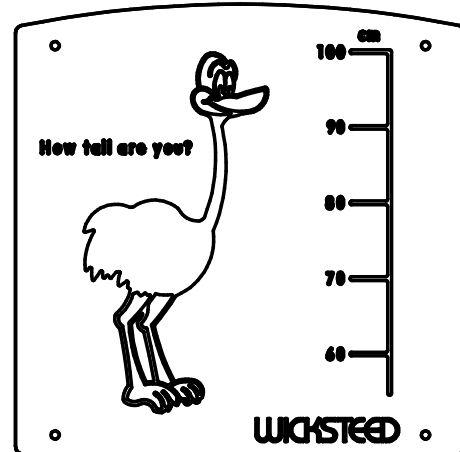
**Cuckoo Clock**

## Double Panel Variations attached to a Frame

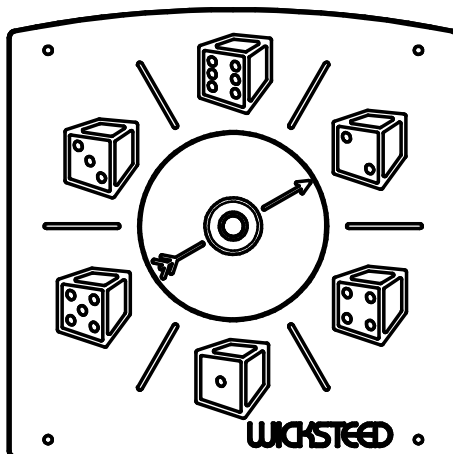
1. Select any two panels from pages 2 and 3.
2. Product code available from Table on page 4.



**Caterpillar Counter**

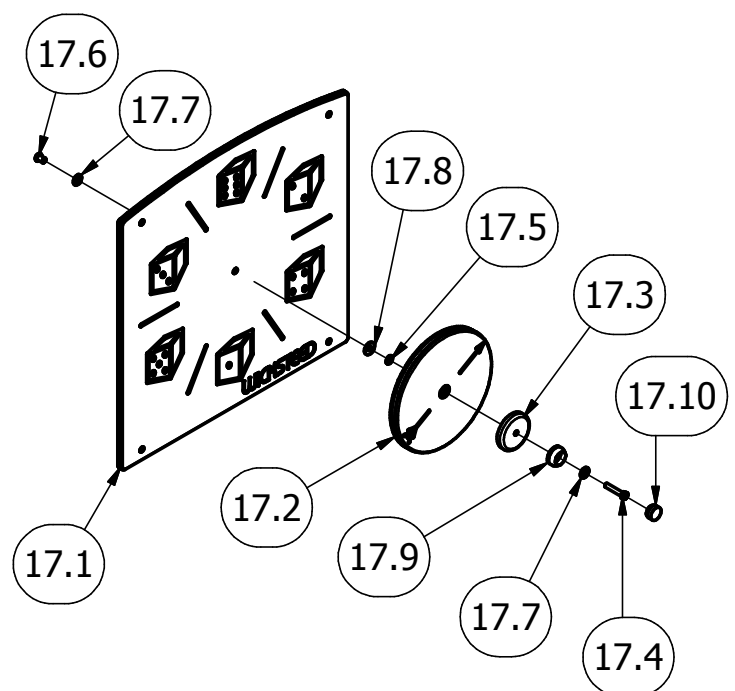


**How Tall Are You?**



**Dice Spinner Panel**

## Dice Spinner Disc Fixing Details

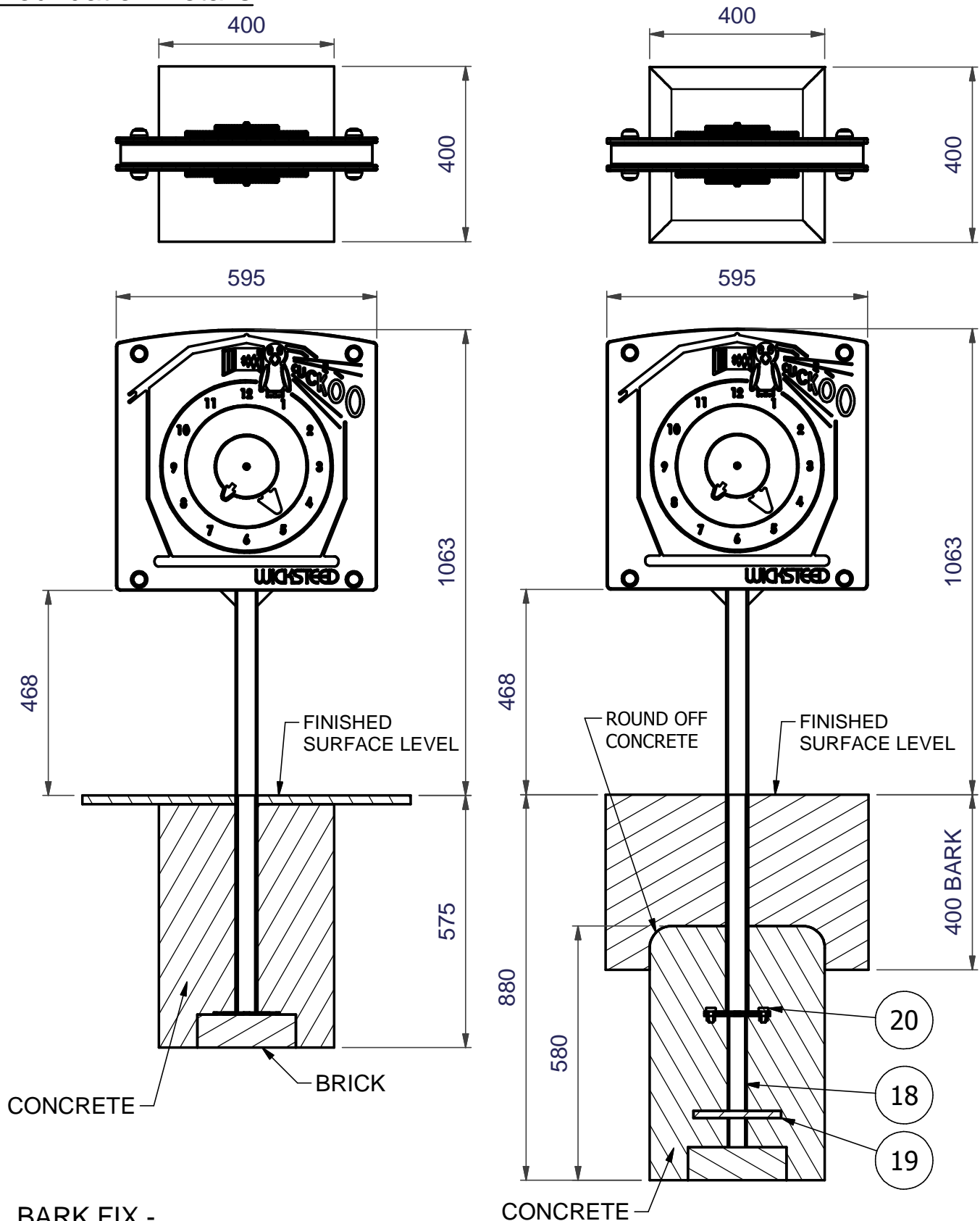


## Product Codes for Complete Frame, Panels and Fixings

	Sands of Time	Animal Maze	Motor Racing Circuit Maze	Cuckoo Clock	Caterpillar Counter	How Tall are You ?	Dice Spinner
Sands of Time	6070-145 (6070-875)	6070-146 (6070-876)	6070-147 (6070-877)	6070-148 (6070-878)	6070-149 (6070-879)	6070-150 (6070-880)	6070-167 (6070-897)
Animal Maze	-	6070-151 (6070-881)	6070-152 (6070-882)	6070-153 (6070-883)	6070-154 (6070-884)	6070-155 (6070-885)	6070-168 (6070-898)
Motor Racing Circuit Maze	-	-	6070-156 (6070-886)	6070-157 (6070-887)	6070-158 (6070-888)	6070-159 (6070-889)	6070-169 (6070-899)
Cuckoo Clock	-	-	-	6070-160 (6070-890)	6070-161 (6070-891)	6070-162 (6070-892)	6070-170 (6070-900)
Caterpillar Counter	-	-	-	-	6070-163 (6070-893)	6070-164 (6070-894)	6070-171 (6070-901)
How Tall are You ?	-	-	-	-	-	6070-165 (6070-895)	6070-172 (6070-902)
Dice Spinner	-	-	-	-	-	-	6070-173 (6070-903)

( ) indicate Bark Fix Product Codes

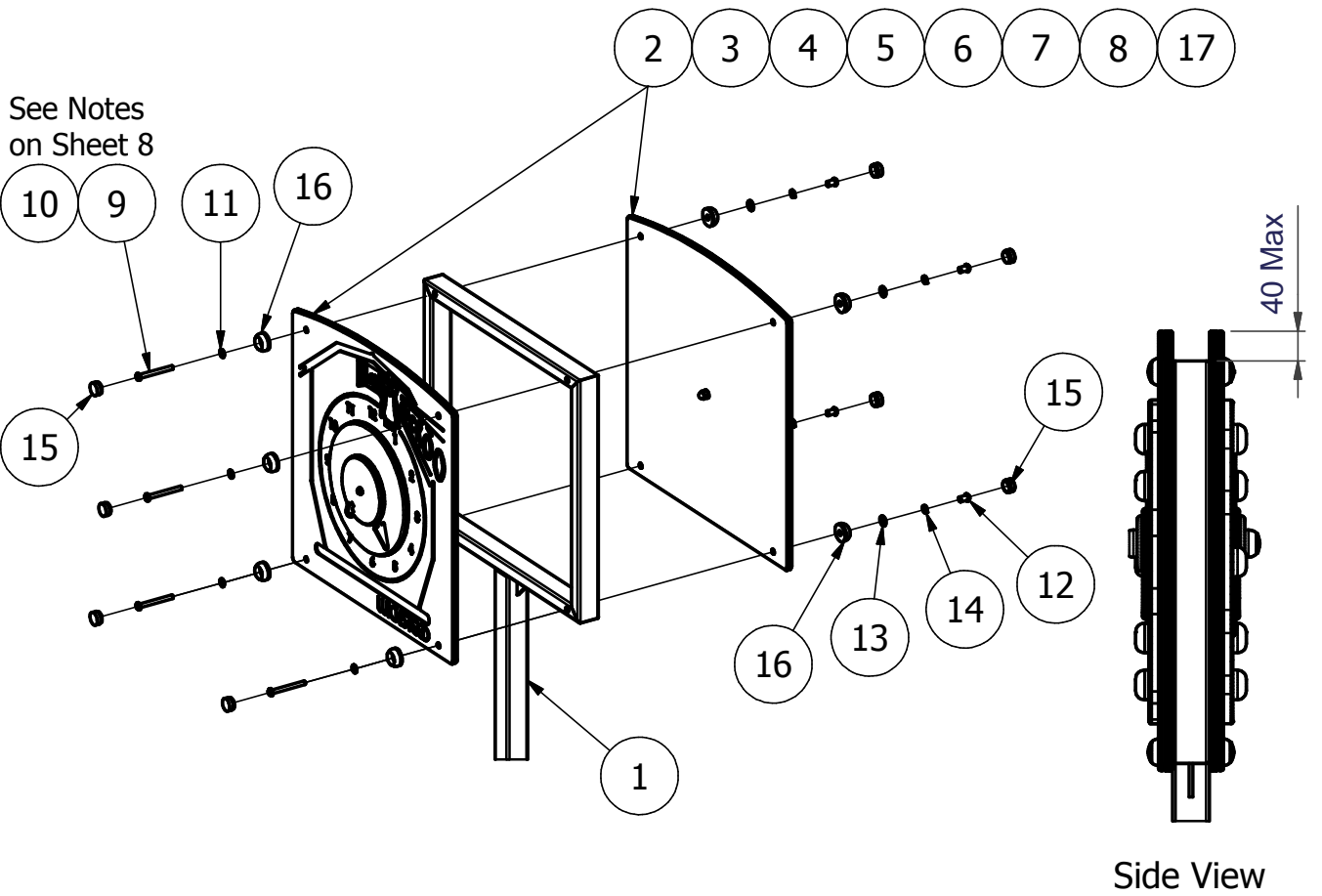
# Foundation Details



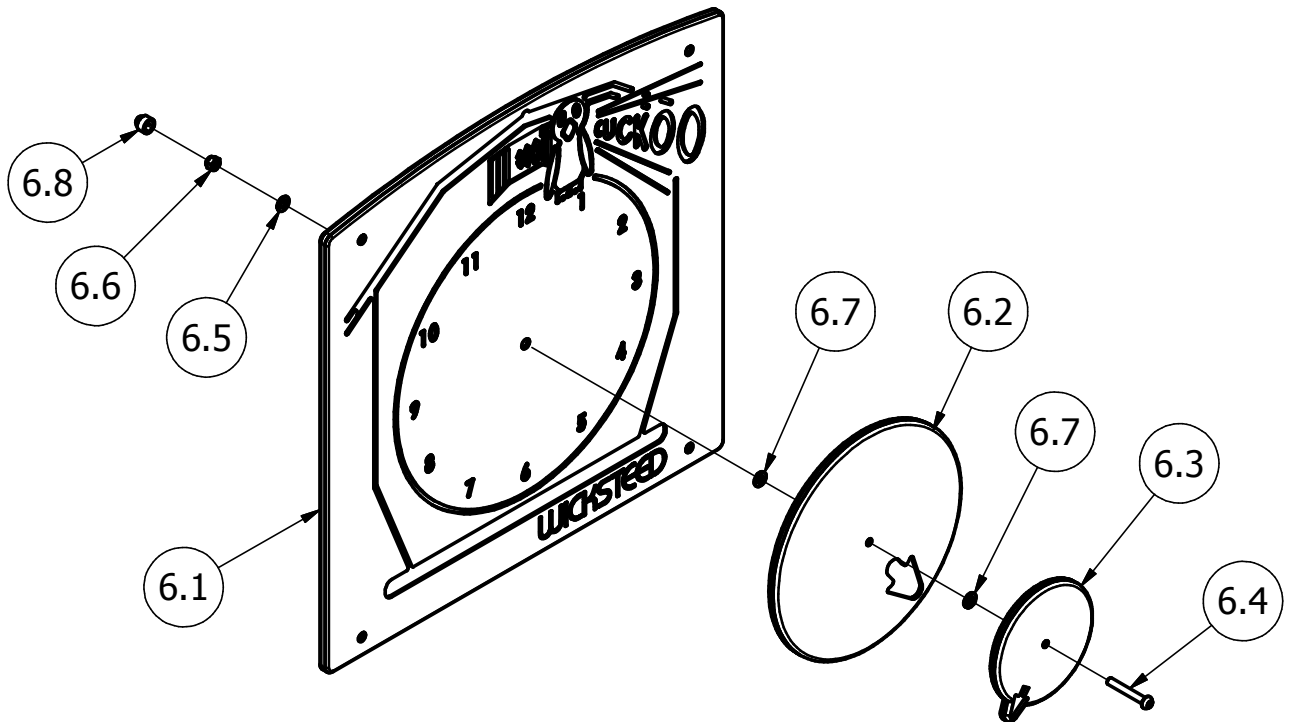
## BARK FIX -

1. For Bark Fix, attach below ground fixing (18) using M12 x 25 Hex Hed Screw (20) and Spragging Iron (19) before backfilling the concrete foundation.
2. Ensure that concrete foundations are rounded off as shown.

## Panel to Frame Fixing Details



## Cuckoo Clock Hand Fixing Details



PARTS LIST			
ITEM	QTY	PART NUMBER	DESCRIPTION
1	1	4202-423	Freestanding Support Frame
2	-	4202-453	Freestanding Sands of Time Rotating Panel (for Single Panel)
3	-	4202-424	Freestanding Sands of Time Rotating Panel (for Double Panels)
4	-	3755-983	Freestanding Animal Maze Panel
5	-	3755-984	Freestanding Motor Racing Circuit Maze Panel
6	-	4202-443	Freestanding Cuckoo Clock Panel Assembly
6.1	1	3755-985	Freestanding Cuckoo Clock Panel
6.2	1	3726-122	Clock Hour Hand Panel
6.3	1	3726-123	Clock Minute Hand Panel
6.4	1	2176-156	M8 x 55 Pent Button Head Screw
6.5	1	2215-507	M8 Washer
6.6	1	2192-001	M8 Nyloc Nut
6.7	2	2571-011	M8 Fibre Washer
6.8	1	2613-015	M8 Protective Cap
7	-	3755-987	Freestanding Caterpillar Counter Panel
8	-	3755-988	Freestanding 'How Tall are You' Panel
9	4	2185-026	M8 x 80 HEX HD BOLT
10	4	2185-029	M8 x 90 HEX HD BOLT
11	4	2215-507	M8 Washer
12	4	2177-001	M8 Safety Fastener
13	4	2215-508	M10 Washer
14	4	2212-203	M10 Spring Washer
15	8	2611-029_Cap	Yellow Poepplemann Cap
16	8	2611-029_Cup	Yellow Poepplemann Cup

Parts List Continued on Sheet 8

PARTS LIST			
ITEM	QTY	PART NUMBER	DESCRIPTION
17	-	4202-528	Dice Spinning Panel Assembly
17.1	1	3756-032	Freestanding Dice Spinning Panel
17.2	1	3726-111	Dice Spinning Disc c/w Bearing
17.3	1	3726-112	Disc End Cap
17.4	1	2175-109	M8 x 45 Lg Hex Head Screw
17.5	1	2215-507	M8 Washer
17.6	1	2177-004	M8 Short Safety Fastener
17.7	2	2215-508	M10 Washer
17.8	1	2570-002	Nylon Spacer
17.9	1	2611-029_Cap	Yellow Poepplemann Cap
17.10	1	2611-029_Cup	Yellow Poepplemann Cup

Note

- For 6070-145 (875) use item 10 instead of item 9 and remove item 13 and 14. and use 4202-424 Sands of Time Panel only with this product code.
- For 6070-146 (876) thru to 6070-150 (880) and 6070-167 (897) use item 10 instead of item 9. For all other product codes use item 9.

FOR BARK FIX ADD			
ITEM	QTY	PART NUMBER	DESCRIPTION
18	1	5071-003	BELOW GROUND ASSY
19	1	3031-010	SPRAGGING IRON
20	2	2175-134	M12 x 25 LG HEX HD SCREW

COMPILED MC	REV	0	1						
	ECN	1721	Minor						
DATE: 27/03/15	SIG.	MC	MC						
	DATE:	08/05/15	11/01/16						



# DESPATCH LIST

Product: 6070-145 to -165 Freestanding Double Panel      Date of Issue: 06/05/15  
 & 6070-167 to -173 Freestanding Double Panel

Order No: \_\_\_\_\_ Issue: \_\_\_\_\_

Item	Unit Qty	Description	Part No.	Checked
1	1	Freestanding Support Frame *	4202-423	
2	2	Freestanding Panels *	see pages 1 to 9	
		(Select using appropriate product code)		
3	1	Fixings Pack		
		<b>Product Code:- 6070-145</b>		
		<b>Sands of Time Panel and Sands of Time Panel</b>		
4	2	Freestanding Sands of Time Rotating Panels *	4202-424	
		(For Double Panels)		
		<b>Product Code:- 6070-146</b>		
		<b>Sands of Time Panel and Animal Maze Panel</b>		
5	1	Freestanding Sands of Time Rotating Panel *	4202-453	
		(For Single Panels)		
6	1	Freestanding Animal Maze Panel *	3755-983	
		<b>Product Code:- 6070-147</b>		
		<b>Sands of Time &amp; Motor Racing Circuit Maze Panel</b>		
7	1	Freestanding Sands of Time Rotating Panel *	4202-453	
		(For Single Panels)		
8	1	Freestanding Motor Racing Circuit Maze Panel *	3755-984	

Total No. of Items

Picked By: \_\_\_\_\_ Checked By: \_\_\_\_\_

COMPILED BY: MC	REV	0	1				
	ECN No.	1721	Minor				
DATE: 06/05/15	DATE	11/05/2015	11/01/2016				
	SIGN	MC	MC				

# DESPATCH LIST

Product: 6070-145 to -165 Freestanding Double Panel & 6070-167 to -173 Freestanding Double Panel Date of Issue: 06/05/15

Order No: Issue:

Item	Unit Qty	Description	Part No.	Checked
		<b>Product Code:- 6070-148</b>		
		<b>Sands of Time Panel and Cuckoo Clock Panel</b>		
9	1	Freestanding Sands of Time Rotating Panel * (For Single Panels)	4202-453	
10	1	Freestanding Cuckoo Clock Panel *	3755-985	
11	1	Cuckoo Clock Hour Hand Panel *	3726-122	
12	1	Cuckoo Clock Minute Hand Panel *	3726-123	
		<b>Product Code:- 6070-149</b>		
		<b>Sands of Time Panel and Caterpillar Panel</b>		
13	1	Freestanding Sands of Time Rotating Panel * (For Single Panels)	4202-453	
14	1	Freestanding Caterpillar Panel *	3755-987	
		<b>Product Code:- 6070-150</b>		
		<b>Sands of Time Panel and How Tall Are You? Panel</b>		
15	1	Freestanding Sands of Time Rotating Panel * (For Single Panels)	4202-453	
16	1	Freestanding How Tall Are You? Panel *	3755-988	
		<b>Items marked * to be assembled prior to despatch</b>		

Total No. of Items

Picked By: \_\_\_\_\_ Checked By: \_\_\_\_\_

COMPILED BY: MC	REV	0	1			
	ECN No.	1721	Minor			
DATE: 06/05/15	DATE	11/05/2015	11/01/2016			
	SIGN	MC	MC			

# DESPATCH LIST

Product: 6070-145 to -165 Freestanding Double Panel & 6070-167 to -173 Freestanding Double Panel Date of Issue: 06/05/15

Order No: Issue:

Item	Unit Qty	Description	Part No.	Checked
		<b>Product Code:- 6070-151</b>		
		<b>Animal Maze Panel and Animal Maze Panel</b>		
17	2	Freestanding Animal Maze Panels *	3755-983	
		<b>Product Code:- 6070-152</b>		
		<b>Animal Maze and Motor Racing Circuit Maze Panel</b>		
18	1	Freestanding Animal Maze Panels *	3755-983	
19	1	Freestanding Motor Racing Circuit Maze Panel *	3755-984	
		<b>Product Code:- 6070-153</b>		
		<b>Animal Maze Panel and Cuckoo Clock Panel</b>		
20	1	Freestanding Animal Maze Panels *	3755-983	
21	1	Freestanding Cuckoo Clock Panel *	3755-985	
22	1	Cuckoo Clock Hour Hand Panel *	3726-122	
23	1	Cuckoo Clock Minute Hand Panel *	3726-123	
		<b>Product Code:- 6070-154</b>		
		<b>Animal Maze Panel and Caterpillar Panel</b>		
24	1	Freestanding Animal Maze Panels *	3755-983	
25	1	Freestanding Caterpillar Panel *	3755-987	
		<b>Items marked * to be assembled prior to despatch</b>		

Total No. of Items

Picked By: \_\_\_\_\_ Checked By: \_\_\_\_\_

COMPILED BY: MC	REV	0	1				
	ECN No.	1721	Minor				
DATE: 06/05/15	DATE	11/05/2015	11/01/2016				
	SIGN	MC	MC				

# DESPATCH LIST

Product: 6070-145 to -165 Freestanding Double Panel & 6070-167 to -173 Freestanding Double Panel Date of Issue: 06/05/15

Order No: Issue:

Item	Unit Qty	Description	Part No.	Checked
		<b>Product Code:- 6070-155</b>		
		<b>Animal Maze Panel and How Tall Are You? Panel</b>		
26	1	Freestanding Animal Maze Panels *	3755-983	
27	1	Freestanding How Tall Are You? Panel *	3755-988	
		<b>Product Code:- 6070-156</b>		
		<b>Motor Racing Circuit Maze Panel and Motor</b>		
		<b>Racing Circuit</b>		
28	2	Freestanding Motor Racing Circuit Maze Panels *	3755-984	
		<b>Product Code:- 6070-157</b>		
		<b>Motor Racing Circuit Maze &amp; Cuckoo Clock Panel</b>		
29	1	Freestanding Motor Racing Circuit Maze Panel *	3755-984	
30	1	Freestanding Cuckoo Clock Panel *	3755-985	
31	1	Cuckoo Clock Hour Hand Panel *	3726-122	
32	1	Cuckoo Clock Minute Hand Panel *	3726-123	
		<b>Product Code:- 6070-158</b>		
		<b>Motor Racing Circuit Maze and Caterpillar Panel</b>		
33	1	Freestanding Motor Racing Circuit Maze Panel *	3755-984	
34	1	Freestanding Caterpillar Panel *	3755-987	
		<b>Items marked * to be assembled prior to despatch</b>		

Total No. of Items

Picked By: \_\_\_\_\_ Checked By: \_\_\_\_\_

COMPILED BY: MC	REV	0	1				
	ECN No.	1721	Minor				
DATE: 06/05/15	DATE	11/05/2015	11/01/2016				
	SIGN	MC	MC				

# DESPATCH LIST

Product: 6070-145 to -165 Freestanding Double Panel      Date of Issue: 06/05/15  
 & 6070-167 to -173 Freestanding Double Panel

Order No: \_\_\_\_\_ Issue: \_\_\_\_\_

Item	Unit Qty	Description	Part No.	Checked
		<b>Product Code:- 6070-159</b>		
		<b>Motor Racing Circuit Maze Panel and</b>		
		<b>How Tall Are You? Panel</b>		
35	1	Freestanding Motor Racing Circuit Maze Panel *	3755-984	
36	1	Freestanding How Tall Are You? Panel *	3755-988	
		<b>Product Code:- 6070-160</b>		
		<b>Cuckoo Clock Panel and Cuckoo Clock Panel</b>		
37	2	Freestanding Cuckoo Clock Panels *	3755-985	
38	2	Cuckoo Clock Hour Hand Panels *	3726-122	
39	2	Cuckoo Clock Minute Hand Panels *	3726-123	
		<b>Product Code:- 6070-161</b>		
		<b>Cuckoo Clock Panel and Caterpillar Panel</b>		
40	1	Freestanding Cuckoo Clock Panel *	3755-985	
41	1	Cuckoo Clock Hour Hand Panel *	3726-122	
42	1	Cuckoo Clock Minute Hand Panel *	3726-123	
43	1	Freestanding Caterpillar Panel *	3755-987	
		<b>Items marked * to be assembled prior to despatch</b>		

Total No. of Items

Picked By: \_\_\_\_\_ Checked By: \_\_\_\_\_

COMPILED BY: MC	REV	0	1				
	ECN No.	1721	Minor				
DATE: 06/05/15	DATE	11/05/2015	11/01/2016				
	SIGN	MC	MC				

# DESPATCH LIST

Product: 6070-145 to -165 Freestanding Double Panel & 6070-167 to -173 Freestanding Double Panel Date of Issue: 06/05/15

Order No: Issue:

Item	Unit Qty	Description	Part No.	Checked
		<b>Product Code:- 6070-162</b>		
		<b>Cuckoo Clock Panel and How Tall Are You? Panel</b>		
44	1	Freestanding Cuckoo Clock Panel *	3755-985	
45	1	Cuckoo Clock Hour Hand Panel *	3726-122	
46	1	Cuckoo Clock Minute Hand Panel *	3726-123	
47	1	Freestanding How Tall Are You? Panel *	3755-988	
		<b>Product Code:- 6070-163</b>		
		<b>Caterpillar Panel and Caterpillar Panel</b>		
48	2	Freestanding Caterpillar Panels *	3755-987	
		<b>Product Code:- 6070-164</b>		
		<b>Caterpillar Panel and How Tall Are You? Panel</b>		
49	1	Freestanding Caterpillar Panel *	3755-987	
50	1	Freestanding How Tall Are You? Panel *	3755-988	
		<b>Product Code:- 6070-165</b>		
		<b>How Tall Are You? Panel and</b>		
		<b>How Tall Are You? Panel</b>		
51	2	Freestanding How Tall Are You? Panels *	3755-988	
		<b>Items marked * to be assembled prior to despatch</b>		

Total No. of Items

Picked By: \_\_\_\_\_ Checked By: \_\_\_\_\_

COMPILED BY: MC	REV	0	1			
	ECN No.	1721	Minor			
DATE: 06/05/15	DATE	11/05/2015	11/01/2016			
	SIGN	MC	MC			

# DESPATCH LIST

Product: 6070-145 to -165 Freestanding Double Panel & 6070-167 to -173 Freestanding Double Panel Date of Issue: 06/05/15

Order No: Issue:

Item	Unit Qty	Description	Part No.	Checked
		<b>Product Code:- 6070-167</b>		
		<b>Sands of Time Panel and Dice Spinner Panel</b>		
52	1	Freestanding Sands of Time Rotating Panel * (For Single Panels)	4202-453	
53	1	Freestanding Dice Spinning Panel *	3756-032	
54	1	Dice Spinning Disc c/w Bearing *	3726-111	
55	1	Disc End Cap *	3726-112	
		<b>Product Code:- 6070-168</b>		
		<b>Animal Maze Panel and Dice Spinner Panel</b>		
56	1	Freestanding Animal Maze Panels *	3755-983	
57	1	Freestanding Dice Spinning Panel *	3756-032	
58	1	Dice Spinning Disc c/w Bearing *	3726-111	
59	1	Disc End Cap *	3726-112	
		<b>Product Code:- 6070-169</b>		
		<b>Motor Racing Circuit Maze Panel and Dice Spinner Panel</b>		
60	1	Freestanding Motor Racing Circuit Maze Panel *	3755-984	
61	1	Freestanding Dice Spinning Panel *	3756-032	
62	1	Dice Spinning Disc c/w Bearing *	3726-111	
63	1	Disc End Cap *	3726-112	
		<b>Items marked * to be assembled prior to despatch</b>		

Total No. of Items

Picked By: \_\_\_\_\_ Checked By: \_\_\_\_\_

COMPILED BY: MC	REV	0	1				
	ECN No.	1721	Minor				
DATE: 06/05/15	DATE	11/05/2015	11/01/2016				
	SIGN	MC	MC				

# DESPATCH LIST

Product: 6070-145 to -165 Freestanding Double Panel & 6070-167 to -173 Freestanding Double Panel Date of Issue: 06/05/15

Order No: Issue:

Item	Unit Qty	Description	Part No.	Checked
		<b>Product Code:- 6070-170</b>		
		<b>Cuckoo Clock Panel and Dice Spinner Panel</b>		
64	1	Freestanding Cuckoo Clock Panel *	3755-985	
65	1	Cuckoo Clock Hour Hand Panel *	3726-122	
66	1	Cuckoo Clock Minute Hand Panel *	3726-123	
67	1	Freestanding Dice Spinning Panel *	3756-032	
68	1	Dice Spinning Disc c/w Bearing *	3726-111	
69	1	Disc End Cap *	3726-112	
		<b>Product Code:- 6070-171</b>		
		<b>Caterpillar Panel and Dice Spinner Panel</b>		
70	1	Freestanding Caterpillar Panel *	3755-987	
71	1	Freestanding Dice Spinning Panel *	3756-032	
72	1	Dice Spinning Disc c/w Bearing *	3726-111	
73	1	Disc End Cap *	3726-112	
		<b>Product Code:- 6070-172</b>		
		<b>How Tall Are You? Panel and Dice Spinner Panel</b>		
74	1	Freestanding How Tall Are You? Panel *	3755-988	
75	1	Freestanding Dice Spinning Panel *	3756-032	
76	1	Dice Spinning Disc c/w Bearing *	3726-111	
77	1	Disc End Cap *	3726-112	
		<b>Items marked * to be assembled prior to despatch</b>		

Total No. of Items

Picked By: \_\_\_\_\_ Checked By: \_\_\_\_\_

COMPILED BY: MC	REV	0	1				
	ECN No.	1721	Minor				
DATE: 06/05/15	DATE	11/05/2015	11/01/2016				
	SIGN	MC	MC				



# DESPATCH LIST

Product: 6070-145 to -165 Freestanding Double Panel      Date of Issue: 06/05/15  
& 6070-167 to -173 Freestanding Double Panel

Order No: \_\_\_\_\_ Issue: \_\_\_\_\_

Item	Unit Qty	Description	Part No.	Checked
		<b>Product Code:- 6070-173</b>		
		<b>Dice Spinner Panel and Dice Spinner Panel</b>		
78	2	Freestanding Dice Spinning Panel *	3756-032	
79	2	Dice Spinning Disc c/w Bearing *	3726-111	
80	2	Disc End Cap *	3726-112	
		<b>Items marked * to be assembled prior to despatch</b>		

Total No. of Items

Picked By: \_\_\_\_\_ Checked By: \_\_\_\_\_

COMPILED BY: MC	REV	0	1				
	ECN No.	1721	Minor				
DATE: 06/05/15	DATE	11/05/2015	11/01/2016				
	SIGN	MC	MC				

# FIXINGS LIST

Product: 6070-145 to -165 Freestanding Double Panel      Date of Issue: 06/05/15  
 & 6070-167 to -173 Freestanding Double Panel

Order No: \_\_\_\_\_ Issue: \_\_\_\_\_

Item	Unit Qty	Description	Part No.	Checked
<b>Fixings for 6070-145</b>				
1	4	M8 x 90 Lg Hex Head Bolt *	2185-029	
2	4	M8 Washer *	2215-507	
3	4	M8 Safety Fastener *	2177-001	
4	8	Yellow Poepplemann Cap *	2611-029	
5	8	Yellow Poepplemann Cap *	2611-029	
<b>Fixings for 6070-146 to 6070-150 and -167</b>				
6	4	M8 x 90 Lg Hex Head Bolt *	2185-029	
7	4	M8 Washer *	2215-507	
8	4	M8 Safety Fastener *	2177-001	
9	4	M10 Washers *	2215-508	
10	4	M10 Spring Washers *	2212-203	
11	8	Yellow Poepplemann Cap *	2611-029	
12	8	Yellow Poepplemann Cap *	2611-029	
<b>Fixings for 6070-151 to -165 &amp; -168 to -173</b>				
13	4	M8 x 80 Lg Hex Head Bolt *	2185-026	
14	4	M8 Washer *	2215-507	
15	4	M8 Safety Fastener *	2177-001	
16	4	M10 Washers *	2215-508	
17	4	M10 Spring Washers *	2212-203	
18	8	Yellow Poepplemann Cap *	2611-029	
19	8	Yellow Poepplemann Cap *	2611-029	
<b>Items marked * to be assembled prior to despatch</b>				

Total No. of Items

Picked By: \_\_\_\_\_ Checked By: \_\_\_\_\_

COMPILED BY: MC	REV	0	1	2			
	ECN No.	1721	Minor	Minor			
DATE: 06/05/15	DATE	11/05/2015	20/05/2015	11/01/2016			
	SIGN	MC	MC	MC			

# FIXINGS LIST

Product: 6070-145 to -165 Freestanding Double Panel & 6070-167 to -173 Freestanding Double Panel Date of Issue: 06/05/15

Order No: Issue:

Item	Unit Qty	Description	Part No.	Checked
<b>Fixings for 1 off Cuckoo Clock Panel Assembly</b>				
20	1	M8 x 55 Pent Button Head *	2176-156	
21	1	M8 Washer *	2215-507	
22	1	M8 Nyloc Nut *	2192-001	
23	2	M8 Fibre Washer *	2571-011	
24	1	M8 Protective Cap *	2613-015	
<b>Fixings for 1 off Dice Spinning Panel Assembly</b>				
25	1	M8 x 45 Hex Head Screw *	2175-109	
26	1	M8 Washer *	2215-507	
27	1	M8 Short Safety Fastener *	2177-004	
28	2	M10 Washer *	2215-508	
29	1	Nylon Spacer *	2570-002	
30	1	Yellow Poepplemann Cap *	2611-029	
31	1	Yellow Poepplemann Cap *	2611-029	
<b>Items marked * to be assembled prior to despatch</b>				

Total No. of Items

Picked By: \_\_\_\_\_ Checked By: \_\_\_\_\_

COMPILED BY: MC	REV	0	1	2		
	ECN No.	1721	Minor	Minor		
DATE: 06/05/15	DATE	11/05/2015	20/05/2015	11/01/2016		
	SIGN	MC	MC	MC		

# DESPATCH LIST

Bark Fix

Product: 6070-875 to -895 Freestanding Double Panel & 6070-897 to -903 Freestanding Double Panel Date of Issue: 06/05/15

Order No: Issue:

Item	Unit Qty	Description	Part No.	Checked
1	1	Freestanding Support Frame *	4202-423	
2	2	Freestanding Panels *	see pages 1 to 9	
		(Select using appropriate product code)		
3	1	Below Ground Assembly	5071-003	
4	1	Spragging Iron	3031-010	
5	1	Fixings Pack		
		<b>Product Code:- 6070-875</b>		
		<b>Sands of Time Panel and Sands of Time Panel</b>		
4	2	Freestanding Sands of Time Rotating Panels *	4202-424	
		(For Double Panels)		
		<b>Product Code:- 6070-876</b>		
		<b>Sands of Time Panel and Animal Maze Panel</b>		
5	1	Freestanding Sands of Time Rotating Panel *	4202-453	
		(For Single Panels)		
6	1	Freestanding Animal Maze Panel *	3755-983	
		<b>Product Code:- 6070-877</b>		
		<b>Sands of Time &amp; Motor Racing Circuit Maze Panel</b>		
7	1	Freestanding Sands of Time Rotating Panel *	4202-453	
		(For Single Panels)		
8	1	Freestanding Motor Racing Circuit Maze Panel *	3755-984	

Total No. of Items

Picked By: Checked By:

COMPILED BY: MC	REV	0	1			
	ECN No.	1721	Minor			
DATE: 06/05/15	DATE	11/05/2015	11/01/2016			
	SIGN	MC	MC			

# DESPATCH LIST

Bark Fix

Product: 6070-875 to -895 Freestanding Double Panel      Date of Issue: 06/05/15  
 & 6070-897 to -903 Freestanding Double Panel

Order No: \_\_\_\_\_ Issue: \_\_\_\_\_

Item	Unit Qty	Description	Part No.	Checked
		<b>Product Code:- 6070-878</b>		
		<b>Sands of Time Panel and Cuckoo Clock Panel</b>		
9	1	Freestanding Sands of Time Rotating Panel * (For Single Panels)	4202-453	
10	1	Freestanding Cuckoo Clock Panel *	3755-985	
11	1	Cuckoo Clock Hour Hand Panel *	3726-122	
12	1	Cuckoo Clock Minute Hand Panel *	3726-123	
		<b>Product Code:- 6070-879</b>		
		<b>Sands of Time Panel and Caterpillar Panel</b>		
13	1	Freestanding Sands of Time Rotating Panel * (For Single Panels)	4202-453	
14	1	Freestanding Caterpillar Panel *	3755-987	
		<b>Product Code:- 6070-880</b>		
		<b>Sands of Time Panel and How Tall Are You? Panel</b>		
15	1	Freestanding Sands of Time Rotating Panel * (For Single Panels)	4202-453	
16	1	Freestanding How Tall Are You? Panel *	3755-988	
		<b>Items marked * to be assembled prior to despatch</b>		

Total No. of Items

Picked By: \_\_\_\_\_ Checked By: \_\_\_\_\_

COMPILED BY: MC	REV	0	1			
	ECN No.	1721	Minor			
DATE: 06/05/15	DATE	11/05/2015	11/01/2016			
	SIGN	MC	MC			

# DESPATCH LIST

Bark Fix

Product: 6070-875 to -895 Freestanding Double Panel      Date of Issue: 06/05/15  
 & 6070-897 to -903 Freestanding Double Panel

Order No: \_\_\_\_\_ Issue: \_\_\_\_\_

Item	Unit Qty	Description	Part No.	Checked
		<b>Product Code:- 6070-881</b>		
		<b>Animal Maze Panel and Animal Maze Panel</b>		
17	2	Freestanding Animal Maze Panels *	3755-983	
		<b>Product Code:- 6070-882</b>		
		<b>Animal Maze and Motor Racing Circuit Maze Panel</b>		
18	1	Freestanding Animal Maze Panels *	3755-983	
19	1	Freestanding Motor Racing Circuit Maze Panel *	3755-984	
		<b>Product Code:- 6070-883</b>		
		<b>Animal Maze Panel and Cuckoo Clock Panel</b>		
20	1	Freestanding Animal Maze Panels *	3755-983	
21	1	Freestanding Cuckoo Clock Panel *	3755-985	
22	1	Cuckoo Clock Hour Hand Panel *	3726-122	
23	1	Cuckoo Clock Minute Hand Panel *	3726-123	
		<b>Product Code:- 6070-884</b>		
		<b>Animal Maze Panel and Caterpillar Panel</b>		
24	1	Freestanding Animal Maze Panels *	3755-983	
25	1	Freestanding Caterpillar Panel *	3755-987	
		<b>Items marked * to be assembled prior to despatch</b>		

Total No. of Items

Picked By: \_\_\_\_\_ Checked By: \_\_\_\_\_

COMPILED BY: MC	REV	0	1				
	ECN No.	1721	Minor				
DATE: 06/05/15	DATE	11/05/2015	11/01/2016				
	SIGN	MC	MC				

# DESPATCH LIST

Bark Fix

Product: 6070-875 to -895 Freestanding Double Panel      Date of Issue: 06/05/15  
 & 6070-897 to -903 Freestanding Double Panel

Order No: \_\_\_\_\_ Issue: \_\_\_\_\_

Item	Unit Qty	Description	Part No.	Checked
		<b>Product Code:- 6070-885</b>		
		<b>Animal Maze Panel and How Tall Are You? Panel</b>		
26	1	Freestanding Animal Maze Panels *	3755-983	
27	1	Freestanding How Tall Are You? Panel *	3755-988	
		<b>Product Code:- 6070-886</b>		
		<b>Motor Racing Circuit Maze Panel and Motor</b>		
		<b>Racing Circuit</b>		
28	2	Freestanding Motor Racing Circuit Maze Panel *	3755-984	
		<b>Product Code:- 6070-887</b>		
		<b>Motor Racing Circuit Maze &amp; Cuckoo Clock Panel</b>		
29	1	Freestanding Motor Racing Circuit Maze Panel *	3755-984	
30	1	Freestanding Cuckoo Clock Panel *	3755-985	
31	1	Cuckoo Clock Hour Hand Panel *	3726-122	
32	1	Cuckoo Clock Minute Hand Panel *	3726-123	
		<b>Product Code:- 6070-888</b>		
		<b>Motor Racing Circuit Maze and Caterpillar Panel</b>		
33	1	Freestanding Motor Racing Circuit Maze Panel *	3755-984	
34	1	Freestanding Caterpillar Panel *	3755-987	
		<b>Items marked * to be assembled prior to despatch</b>		

Total No. of Items

Picked By: \_\_\_\_\_ Checked By: \_\_\_\_\_

COMPILED BY: MC	REV	0	1				
	ECN No.	1721	Minor				
DATE: 06/05/15	DATE	11/05/2015	11/01/2016				
	SIGN	MC	MC				

# DESPATCH LIST

Bark Fix

Product: 6070-875 to -895 Freestanding Double Panel      Date of Issue: 06/05/15  
 & 6070-897 to -903 Freestanding Double Panel

Order No: \_\_\_\_\_ Issue: \_\_\_\_\_

Item	Unit Qty	Description	Part No.	Checked
		<b>Product Code:- 6070-889</b>		
		<b>Motor Racing Circuit Maze Panel and</b>		
		<b>How Tall Are You? Panel</b>		
35	1	Freestanding Motor Racing Circuit Maze Panel *	3755-984	
36	1	Freestanding How Tall Are You? Panel *	3755-988	
		<b>Product Code:- 6070-890</b>		
		<b>Cuckoo Clock Panel and Cuckoo Clock Panel</b>		
37	2	Freestanding Cuckoo Clock Panel *	3755-985	
38	2	Cuckoo Clock Hour Hand Panel *	3726-122	
39	2	Cuckoo Clock Minute Hand Panel *	3726-123	
		<b>Product Code:- 6070-891</b>		
		<b>Cuckoo Clock Panel and Caterpillar Panel</b>		
40	1	Freestanding Cuckoo Clock Panel *	3755-985	
41	1	Cuckoo Clock Hour Hand Panel *	3726-122	
42	1	Cuckoo Clock Minute Hand Panel *	3726-123	
43	1	Freestanding Caterpillar Panel *	3755-987	
		<b>Items marked * to be assembled prior to despatch</b>		

Total No. of Items

Picked By: \_\_\_\_\_ Checked By: \_\_\_\_\_

COMPILED BY: MC	REV	0	1				
	ECN No.	1721	Minor				
DATE: 06/05/15	DATE	11/05/2015	11/01/2016				
	SIGN	MC	MC				



# DESPATCH LIST

Bark Fix

Product: 6070-875 to -895 Freestanding Double Panel      Date of Issue: 06/05/15  
 & 6070-897 to -903 Freestanding Double Panel

Order No: \_\_\_\_\_ Issue: \_\_\_\_\_

Item	Unit Qty	Description	Part No.	Checked
		<b>Product Code:- 6070-892</b>		
		<b>Cuckoo Clock Panel and How Tall Are You? Panel</b>		
44	1	Freestanding Cuckoo Clock Panel *	3755-985	
45	1	Cuckoo Clock Hour Hand Panel *	3726-122	
46	1	Cuckoo Clock Minute Hand Panel *	3726-123	
47	1	Freestanding How Tall Are You? Panel *	3755-988	
		<b>Product Code:- 6070-893</b>		
		<b>Caterpillar Panel and Caterpillar Panel</b>		
48	2	Freestanding Caterpillar Panels *	3755-987	
		<b>Product Code:- 6070-894</b>		
		<b>Caterpillar Panel and How Tall Are You? Panel</b>		
49	1	Freestanding Caterpillar Panel *	3755-987	
50	1	Freestanding How Tall Are You? Panel *	3755-988	
		<b>Product Code:- 6070-895</b>		
		<b>How Tall Are You? Panel and</b>		
		<b>How Tall Are You? Panel</b>		
51	2	Freestanding How Tall Are You? Panels *	3755-988	
		<b>Items marked * to be assembled prior to despatch</b>		

Total No. of Items

Picked By: \_\_\_\_\_ Checked By: \_\_\_\_\_

COMPILED BY: MC	REV	0	1				
	ECN No.	1721	Minor				
DATE: 06/05/15	DATE	11/05/2015	11/01/2016				
	SIGN	MC	MC				

# DESPATCH LIST

Bark Fix

Product: 6070-875 to -895 Freestanding Double Panel      Date of Issue: 06/05/15  
 & 6070-897 to -903 Freestanding Double Panel

Order No: \_\_\_\_\_ Issue: \_\_\_\_\_

Item	Unit Qty	Description	Part No.	Checked
		<b>Product Code:- 6070-897</b>		
		<b>Sands of Time Panel and Dice Spinner Panel</b>		
52	1	Freestanding Sands of Time Rotating Panel *	4202-453	
		(For Single Panels)		
53	1	Freestanding Dice Spinning Panel *	3756-032	
54	1	Dice Spinning Disc c/w Bearing *	3726-111	
55	1	Disc End Cap *	3726-112	
		<b>Product Code:- 6070-898</b>		
		<b>Animal Maze Panel and Dice Spinner Panel</b>		
56	1	Freestanding Animal Maze Panels *	3755-983	
57	1	Freestanding Dice Spinning Panel *	3756-032	
58	1	Dice Spinning Disc c/w Bearing *	3726-111	
59	1	Disc End Cap *	3726-112	
		<b>Product Code:- 6070-899</b>		
		<b>Motor Racing Circuit Maze Panel and</b>		
		<b>Dice Spinner Panel</b>		
60	1	Freestanding Motor Racing Circuit Maze Panel *	3755-984	
61	1	Freestanding Dice Spinning Panel *	3756-032	
62	1	Dice Spinning Disc c/w Bearing *	3726-111	
63	1	Disc End Cap *	3726-112	
		<b>Items marked * to be assembled prior to despatch</b>		

Total No. of Items

Picked By: \_\_\_\_\_ Checked By: \_\_\_\_\_

COMPILED BY: MC	REV	0	1				
	ECN No.	1721	Minor				
DATE: 06/05/15	DATE	11/05/2015	11/01/2016				
	SIGN	MC	MC				

# DESPATCH LIST

Bark Fix

Product: 6070-875 to -895 Freestanding Double Panel      Date of Issue: 06/05/15  
 & 6070-897 to -903 Freestanding Double Panel

Order No: \_\_\_\_\_ Issue: \_\_\_\_\_

Item	Unit Qty	Description	Part No.	Checked
		<b>Product Code:- 6070-900</b>		
		<b>Cuckoo Clock Panel and Dice Spinner Panel</b>		
64	1	Freestanding Cuckoo Clock Panel *	3755-985	
65	1	Cuckoo Clock Hour Hand Panel *	3726-122	
66	1	Cuckoo Clock Minute Hand Panel *	3726-123	
67	1	Freestanding Dice Spinning Panel *	3756-032	
68	1	Dice Spinning Disc c/w Bearing *	3726-111	
69	1	Disc End Cap *	3726-112	
		<b>Product Code:- 6070-901</b>		
		<b>Caterpillar Panel and Dice Spinner Panel</b>		
70	1	Freestanding Caterpillar Panel *	3755-987	
71	1	Freestanding Dice Spinning Panel *	3756-032	
72	1	Dice Spinning Disc c/w Bearing *	3726-111	
73	1	Disc End Cap *	3726-112	
		<b>Product Code:- 6070-902</b>		
		<b>How Tall Are You? Panel and Dice Spinner Panel</b>		
74	1	Freestanding How Tall Are You? Panel *	3755-988	
75	1	Freestanding Dice Spinning Panel *	3756-032	
76	1	Dice Spinning Disc c/w Bearing *	3726-111	
77	1	Disc End Cap *	3726-112	
		<b>Items marked * to be assembled prior to despatch</b>		

Total No. of Items

Picked By: \_\_\_\_\_ Checked By: \_\_\_\_\_

COMPILED BY: MC	REV	0	1				
	ECN No.	1721	Minor				
DATE: 06/05/15	DATE	11/05/2015	11/01/2016				
	SIGN	MC	MC				

# DESPATCH LIST

Bark Fix

Product: 6070-875 to -895 Freestanding Double Panel      Date of Issue: 06/05/15  
& 6070-897 to -903 Freestanding Double Panel

Order No: \_\_\_\_\_ Issue: \_\_\_\_\_

Item	Unit Qty	Description	Part No.	Checked
		<b>Product Code:- 6070-903</b>		
		<b>Dice Spinner Panel and Dice Spinner Panel</b>		
78	2	Freestanding Dice Spinning Panel *	3756-032	
79	2	Dice Spinning Disc c/w Bearing *	3726-111	
80	2	Disc End Cap *	3726-112	
		<b>Items marked * to be assembled prior to despatch</b>		

Total No. of Items

Picked By: \_\_\_\_\_ Checked By: \_\_\_\_\_

COMPILED BY: MC	REV	0	1				
	ECN No.	1721	Minor				
DATE: 06/05/15	DATE	11/05/2015	11/01/2016				
	SIGN	MC	MC				

# FIXINGS LIST

Bark Fix

Product: 6070-875 to -895 Freestanding Double Panel      Date of Issue: 06/05/15  
& 6070-897 to -903 Freestanding Double Panel

Order No: \_\_\_\_\_ Issue: \_\_\_\_\_

Item	Unit Qty	Description	Part No.	Checked
		<b>Fixings for 6070-876 to 6070-880 and -897</b>		
1	4	M8 x 90 Lg Hex Head Bolt *	2185-029	
2	4	M8 Washer *	2215-507	
3	4	M8 Safety Fastener *	2177-001	
4	4	M10 Washers *	2215-508	
5	4	M10 Spring Washers *	2212-203	
6	8	Yellow Poepplemann Cap *	2611-029	
7	8	Yellow Poepplemann Cap *	2611-029	
8	2	M12 x 25 Hex Head Screw	2175-134	
		<b>Fixings for 6070-881 to 6070-895 &amp; -898 to -903</b>		
9	4	M8 x 80 Lg Hex Head Bolt *	2185-026	
10	4	M8 Washer *	2215-507	
11	4	M8 Safety Fastener *	2177-001	
12	4	M10 Washers *	2215-508	
13	4	M10 Spring Washers *	2212-203	
14	8	Yellow Poepplemann Cap *	2611-029	
15	8	Yellow Poepplemann Cap *	2611-029	
16	2	M12 x 25 Hex Head Screw	2175-134	
		<b>Items marked * to be assembled prior to despatch</b>		

Total No. of Items

Picked By: \_\_\_\_\_ Checked By: \_\_\_\_\_

COMPILED BY: MC	REV	0	1	2			
	ECN No.	1721	Minor	Minor			
DATE: 06/05/15	DATE	11/05/2015	20/05/2015	11/01/2016			
	SIGN	MC	MC	MC			

# FIXINGS LIST

Bark Fix

Product: 6070-875 to -895 Freestanding Double Panel      Date of Issue:06/05/15  
 & 6070-897 to -903 Freestanding Double Panel

Order No: \_\_\_\_\_ Issue: \_\_\_\_\_

Item	Unit Qty	Description	Part No.	Checked
<b>Fixings for 6070-875</b>				
17	4	M8 x 90 Lg Hex Head Bolt *	2185-029	
18	4	M8 Washer *	2215-507	
19	4	M8 Safety Fastener *	2177-001	
20	8	Yellow Poepplemann Cap *	2611-029	
21	8	Yellow Poepplemann Cap *	2611-029	
22	2	M12 x 25 Hex Head Screw	2175-134	
<b>Fixings for 1 off Cuckoo Clock Panel Assembly</b>				
23	1	M8 x 55 Pent Button Head *	2176-156	
24	1	M8 Washer *	2215-507	
25	1	M8 Nyloc Nut *	2192-001	
26	2	M8 Fibre Washer *	2571-011	
27	1	M8 Protective Cap *	2613-015	
<b>Fixings for 1 off Dice Spinning Panel Assembly</b>				
28	1	M8 x 45 Hex Head Screw *	2175-109	
29	1	M8 Washer *	2215-507	
30	1	M8 Short Safety Fastener *	2177-004	
31	2	M10 Washer *	2215-508	
32	1	Nylon Spacer *	2570-002	
33	1	Yellow Poepplemann Cap *	2611-029	
34	1	Yellow Poepplemann Cap *	2611-029	
<b>Items marked * to be assembled prior to despatch</b>				

Total No. of Items

Picked By: \_\_\_\_\_ Checked By: \_\_\_\_\_

COMPILED BY: MC	REV	0	1	2			
	ECN No.	1721	Minor	Minor			
DATE: 06/05/15	DATE	11/05/2015	20/05/2015	11/01/2016			
	SIGN	MC	MC	MC			