

<b>TODDLER</b>	
Landrover	
PROD CODE:	6070-073
SIZE:	1200 x 1100 x 660
AGE RANGE:	2 – 5 Years
FREE FALL HEIGHT:	< 600mm
OVERALL WEIGHT OF UNIT	62 kg

DELIVERY LIST		
Part No.	Description	Qty
	Landrover fully assembled	1
	Fixings Pack	1

**SPECIFICATION**

Panels: 19 & 12mm Thick HD Polyethelene, 100% Recycleable, Non-Toxic & Complies with EN71 Standards  
 Steel Components: Made from steel to BS 9070 Part 1 (1983)  
 Welds: Copper free wire conforming to 901 AIB for mild steel.  
 Base: Aluminium 5 bar tread plate x 3mm thick.  
 Fixings: Non standard to deter vandalism & plated for weather protection.

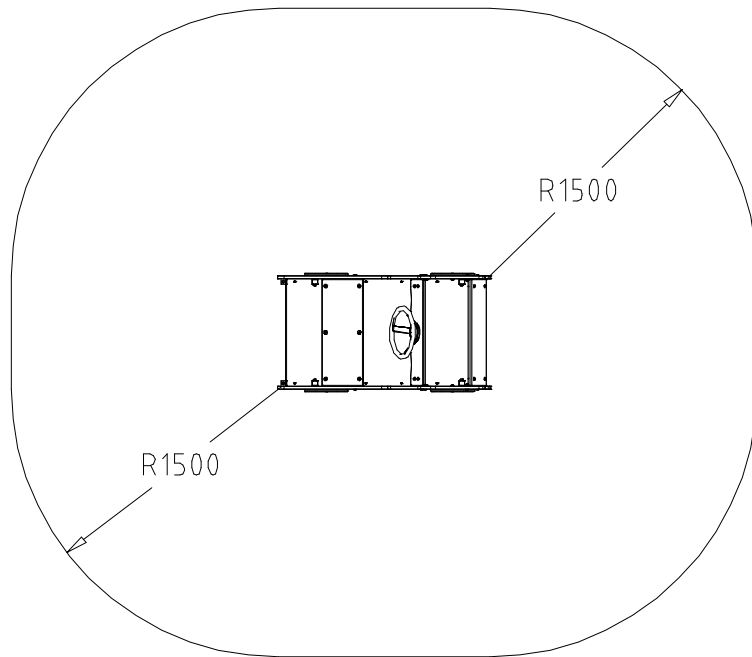
**INSTALLATION INSTRUCTIONS**

- 1 Read installation instructions through before commencing erection of unit.
- 2 Do NOT tighten rawlbolts until the unit is completely assembled
- 3 Excavate foundations as shown on sheet 2.
- 4 Backfill with concrete (4 parts gravel, 2 parts sand, 1 part concrete) and allow 48 hours to set.
- 5 Position Landrover assembly and mark through fixing holes in base assembly brackets.
- 6 Drill concrete for rawlbolts, re-position Landrover and secure with rawlbolts ensuring unit is plumb and square.

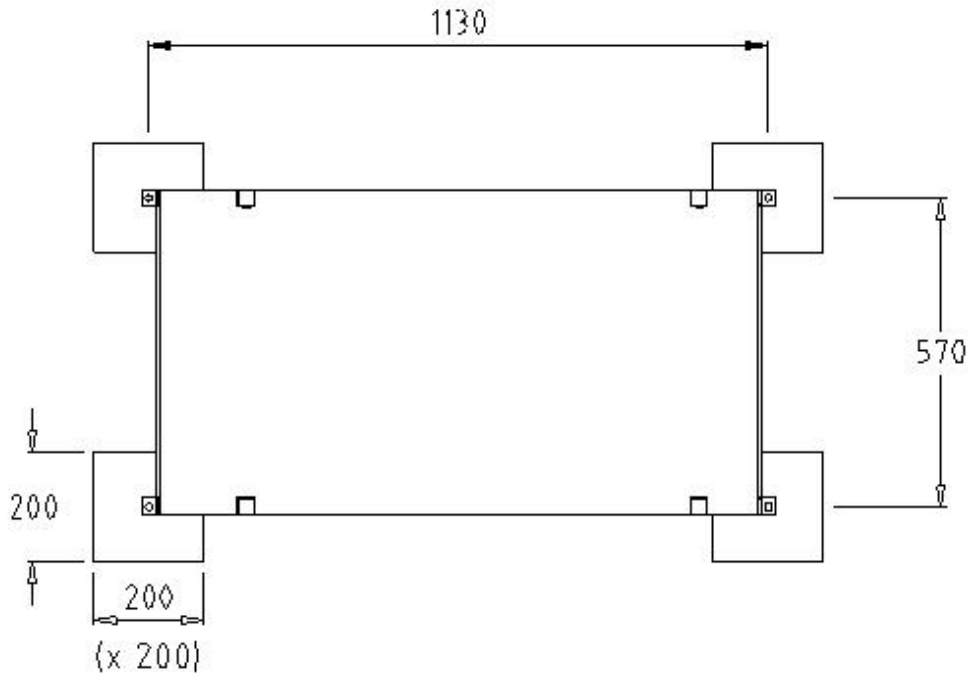
Note:-Ensure all installation aids are removed before first use.



**FREE SPACE DETAIL**

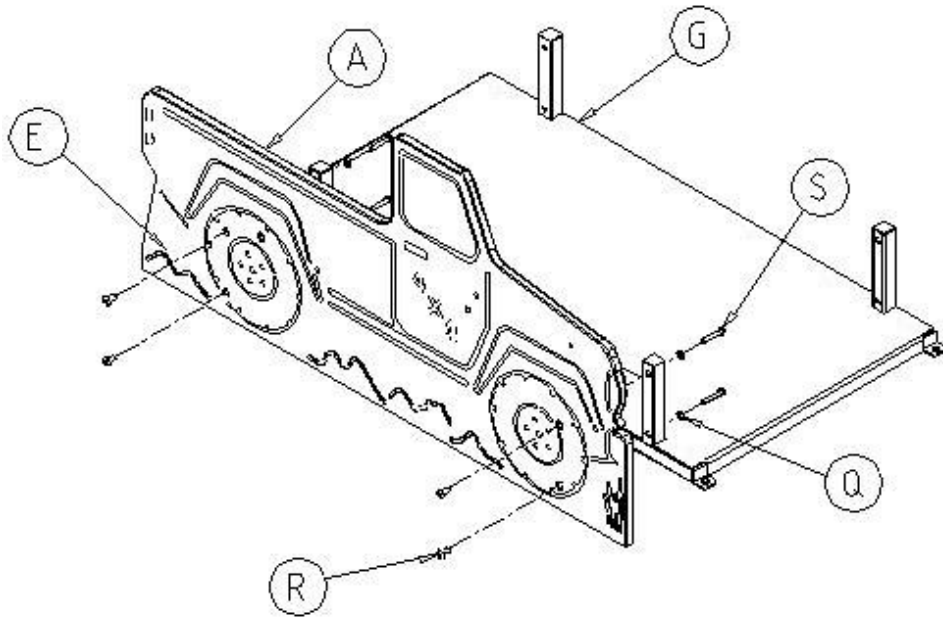


**FOUNDATION DETAIL**  
(Care must be taken under abnormal conditions)



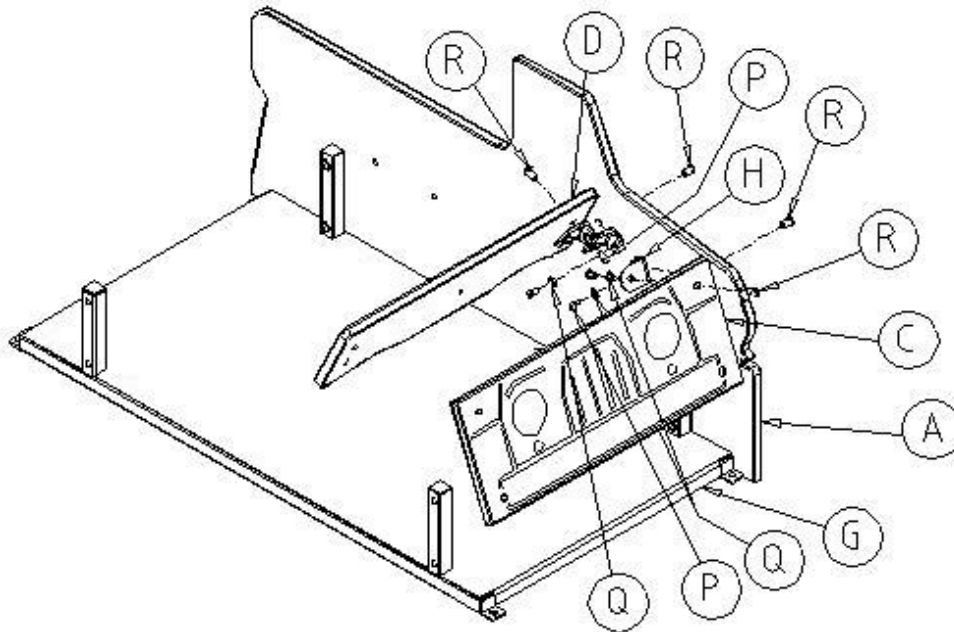
## FIXING DETAILS FOR MAINTENANCE

### SIDE PANEL AND WHEEL FIXING DETAIL



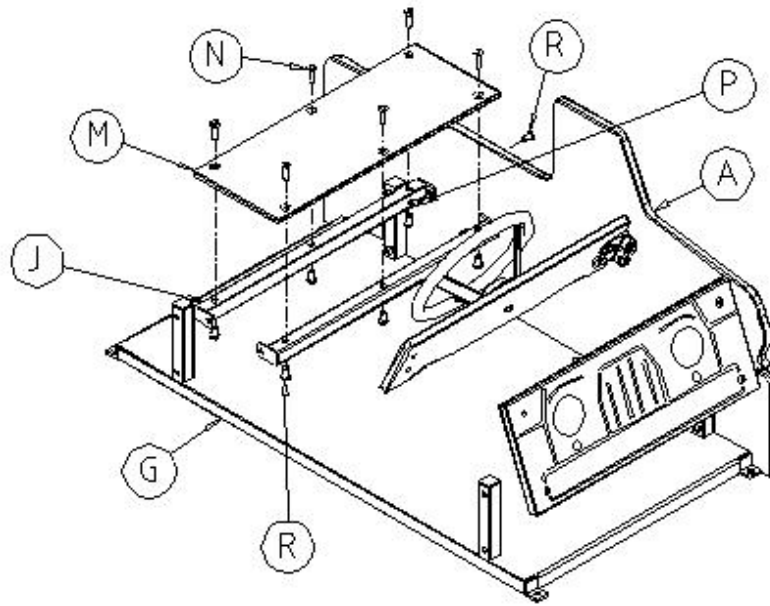
- 1 Fit Side Panels (A & B) to Base Assembly (G) using M8 x 45 Pentagon Button Head Screw (S), M8 Washer (Q) and M8 Safety Fastener (R).

### DASH AND FRONT PANEL FIXING DETAIL



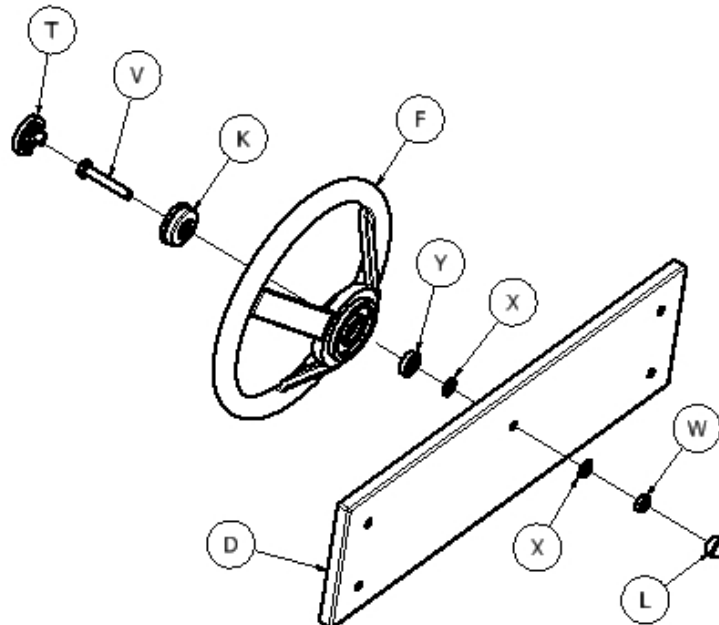
- 1 Fit Dash and Middle Panels (C & D) to Side Panels (A & B) using Fixing Bracket (H) M8 x 16 Pentagon Button Head Screw (P), M8 Washer (Q) and M8 Safety Fastener (R).

### SEAT SUPPORT AND SEAT FIXING DETAIL



- 1 Fit Seat Support (J) to Side Panels (A & B) using M8 x 16 Pentagon Button Head Screw (P) and M8 Safety Fastener (R).
- 2 Fit Seat (M) to Seat Support (J) using M8 x 35 Pentagon Countersunk Head Screw (N) and M8 Safety Fastener (R).

### STEERING WHEEL FIXING DETAIL



- 1 Fit Steering Wheel (F) to Dashboard Panel (D) using M10 x 60 Hex Head Screw (V), Steering Wheel Boss (K), Bearing (Y), M10 Washer (X), M8 Binx Nut (W), M10 Protective Cap (L) and Steering Wheel Cover Cap (T).


REF	QTY	DESCRIPTION	PART No
A	1	L.H Landrover Side Panel	3755-074
B	1	R.H Landrover Side Panel	3755-075
C	1	Front Panel	3755-077
D	1	Dashboard	3755-076
F	1	Steering Wheel	3730-157
G	1	Base Assembly	4200-855
H	8	Fixing Bracket	2900-056
J	2	Seat Support Assembly	4200-857
K	1	Steering Wheel Boss	3730-158
L	1	M10 Protective Cap	2613-014
M	1	Seat	3755-065
N	6	M8 x 35 Pentagon Countersunk Head Screw	2176-009
P	20	M8 x 16 Pentagon Button Head Screw	2176-151
Q	34	M8 Washer	2215-507
R	35	M8 Safety Fastener	2177-001
S	8	M8 x 45 Pentagon Button Head Screw	2176-155
T	1	Steering Wheel Cover Cap	2900-033
U	4	M12 x 130 Rawlbolt	2341-030
V	1	M10 x 60 Hex Head Screw	2185-040
W	1	M10 Binx Nut	2191-010
X	2	M10 Washer	2215-508
Y	1	Roller Bearing	2541-127

Note:-Before first use ensure unit has been installed to correct specifications, ground clearances have been achieved and all installation aids are removed.

Note:-All spare parts are available from Wicksteed Leisure on request.

For maintenance instructions see separate sheet.

Care must be taken in relation to specific hazards to children due to incomplete installation or dismantling, or during maintenance.

	COMPILED:	APPROVED :	REV	1	2	3	4	5
	PG		ECN	1490	Minor	minor	minor	minor
	DATE:	DATE:	SIG.	PG	SB	DB	MC	MC
	30/9/05		DATE.	30/9/05	24/05/06	01/06/10	06/10/14	01/05/15



# FIXINGS LIST

Sheet 1 of 1

Product: TODDLER SIT-IN LANDROVER Code No. 6070-073

Date of Issue: 09/03/06

Order No: .....

Issue: A

Item	Unit Qty	Description	Part No.	Checked
1	1	Steering Wheel *	3730-157	
2	1	Steering Wheel Boss *	3730-158	
3				
4	6	M8 x 35 Pentagon Countersunk Head Screw *	2176-009	
5	20	M8 x 16 Pentagon Button Head Screw *	2176-151	
6	34	M8 Washer *	2215-507	
7	35	M8 Safety Fastener *	2177-001	
8	8	M8 x 45 Pentagon Button Head Screw *	2176-155	
9	1	Steering Wheel Cover Cap *	2900-033	
10	4	M12 x 130 Rawlbolt	2341-030	
11	1	M10 x 60 Hex Head Screw *	2185-040	
12	1	M10 Binx Nut *	2191-010	
13	1	M10 Protective Cap *	2613-014	
14	1	Roller Bearing (Ø28 x Ø12 x 8mm)*	2541-127	
15	2	M10 Washer *	2215-508	
		<b>Items marked * to be assembled prior to despatch</b>		

Total No. of Items

Picked By: .....

Checked By: .....

COMPILED BY: SB	REV	0	1	2			
	ECN No.	1490	minor	minor			
	DATE	09/03/2006	09/05/2006	07/10/2014			
DATE: 09/03/2006	SIGN	SB	SB	MC			