

TODDLER	
Sports Car	
PROD CODE:	6070-071
SIZE:	1200 x 1100 x 660
AGE RANGE:	2 – 5 Years
FREE FALL HEIGHT:	< 600mm
OVERALL WEIGHT OF UNIT	55 kg

DELIVERY LIST		
Part No.	Description	Qty
	Sports Car fully assembled	1
	Fixings Pack	1

SPECIFICATION

Panels: 19 & 12mm Thick HD Polyethelene, 100% Recycleable, Non-Toxic & Complies with EN71 Standards

Steel Components: Made from steel to BS 9070 Part 1 (1983)

Welds: Copper free wire conforming to 901 AIB for mild steel.

Base: Aluminium 5 bar tread plate x 3mm thick.

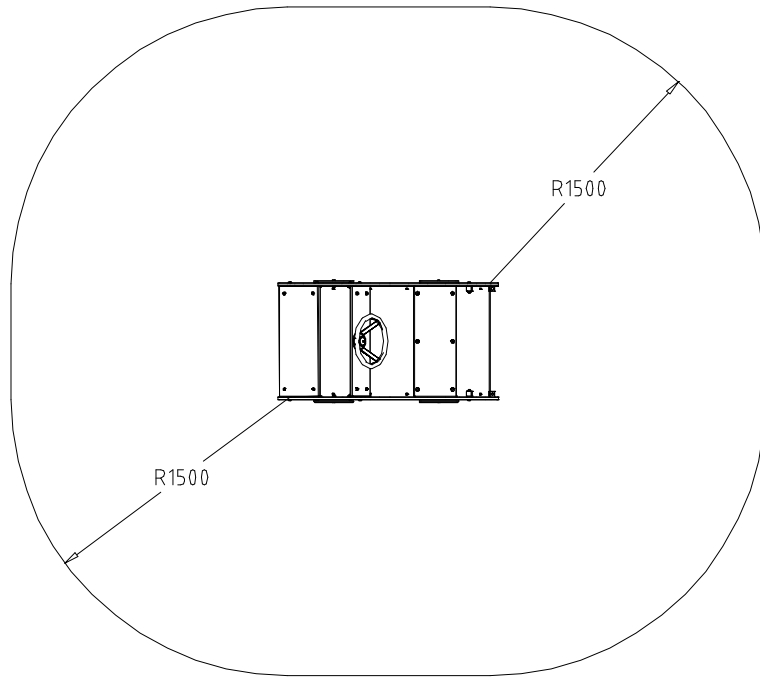
Fixings: Non standard to deter vandalism & plated for weather protection.

INSTALLATION INSTRUCTIONS

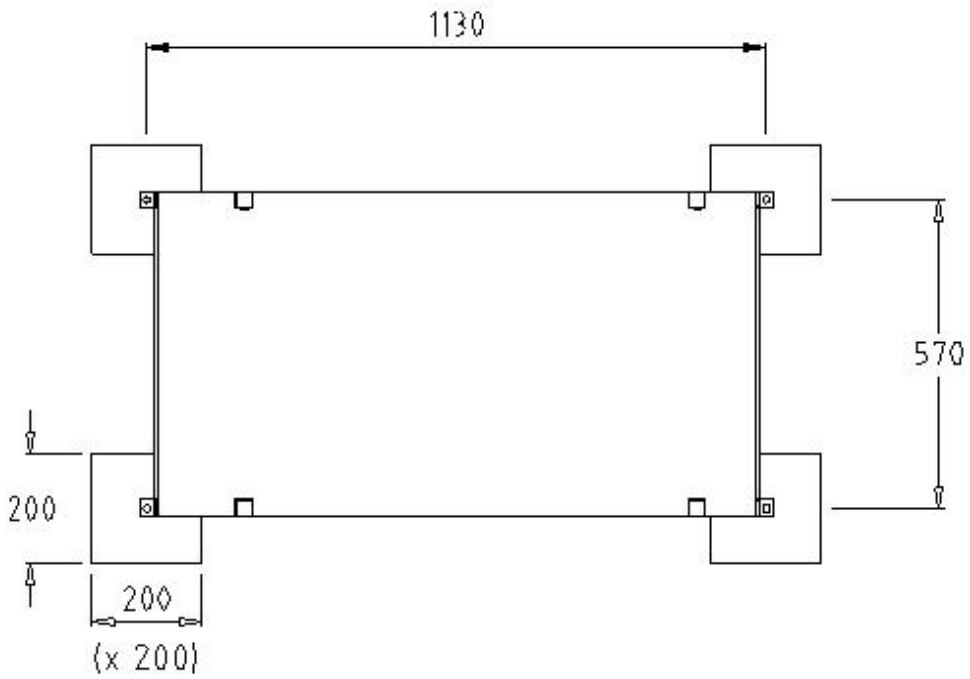
- 1 Read installation instructions through before commencing erection of unit.
- 2 Do NOT tighten rawlbolts until the unit is completely assembled
- 3 Excavate foundations as shown on sheet 2.
- 4 Backfill with concrete (4 parts gravel, 2 parts sand, 1 part concrete) and allow 48 hours to set.
- 5 Position Sports Car assembly and mark through fixing holes in base assembly brackets.
- 6 Drill concrete for rawlbolts, re-position Sports Car and secure with rawlbolts ensuring unit is plumb and square.

Note:-Ensure all installation aids are removed before first use.

FREE SPACE DETAIL

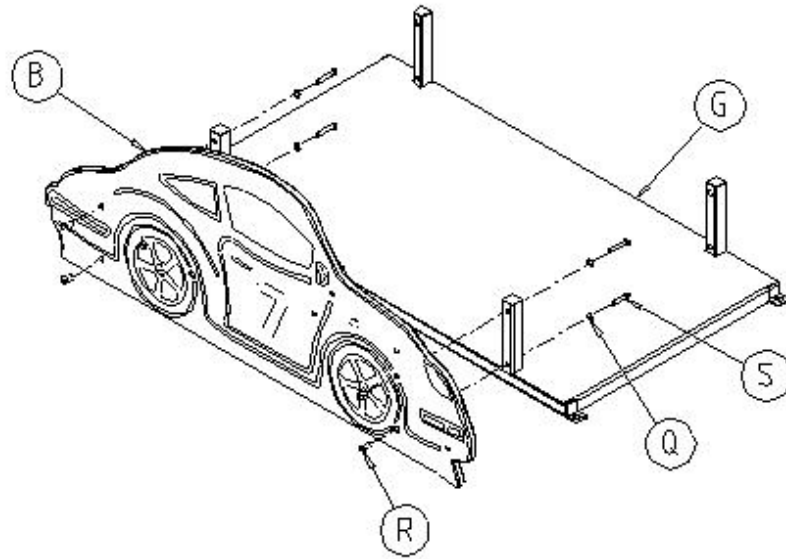


FOUNDATION DETAIL
(Care must be taken under abnormal conditions)



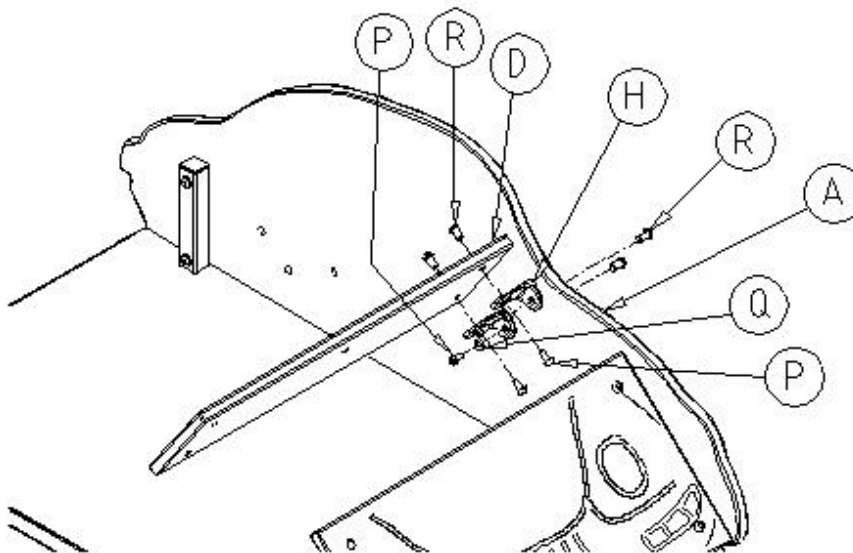
FIXING DETAILS FOR MAINTENANCE

SIDE PANEL AND WHEEL FIXING DETAIL



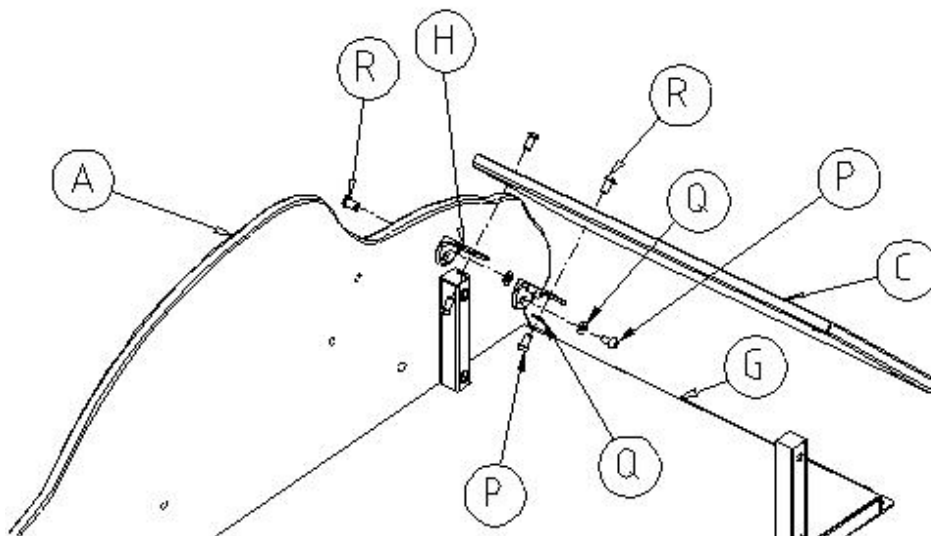
- 1 Fit Side Panels (A & B) to Base Assembly (G) using M8 x 45 Pentagon Button Head Screw (S), M8 Washer (Q) and M8 Safety Fastener (R).

DASHBOARD FIXING DETAIL



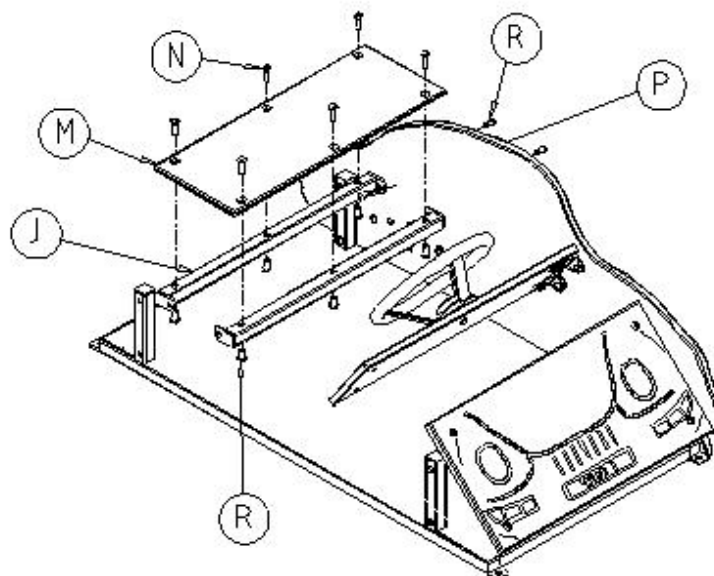
- 1 Fit Dashboard (D) to Side Panels (A & B) using Fixing Bracket (H) M8 x 16 Pentagon Button Head Screw (P), M8 Washer (Q) and M8 Safety Fastener (R).

FRONT PANEL FIXING DETAIL



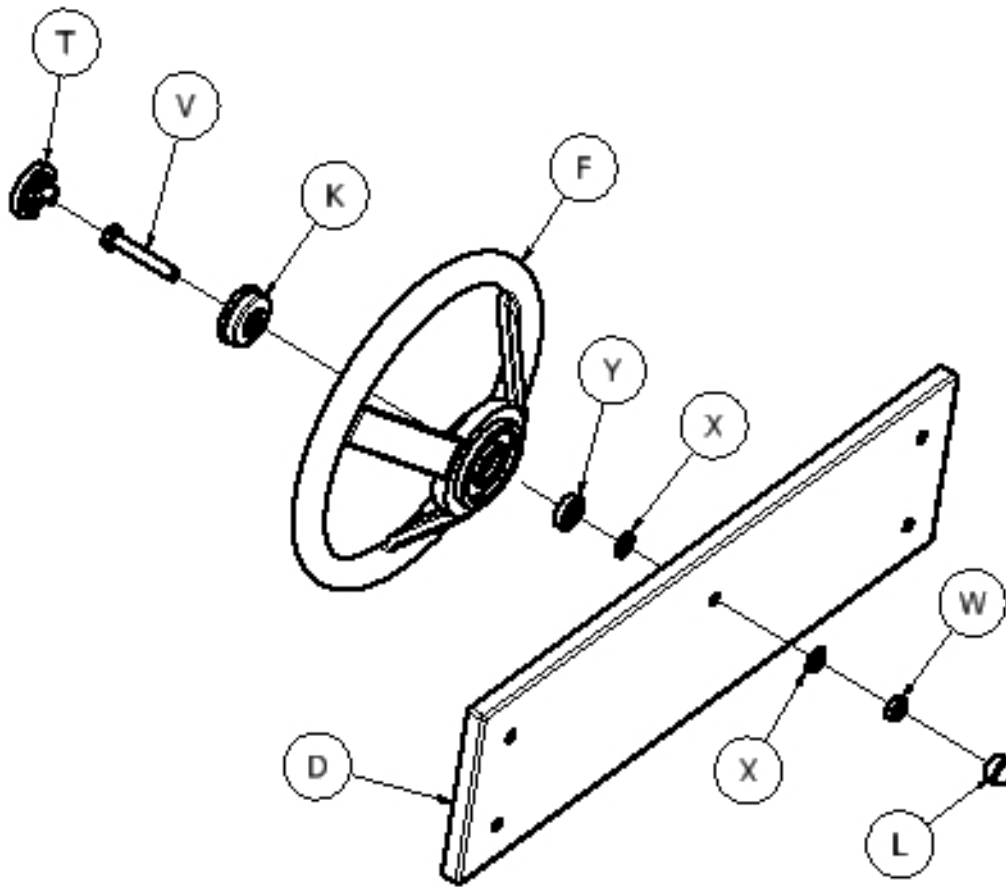
- 1 Fit Front Panel (C) to Side Panels (A & B) using Fixing Bracket (H) M8 x 16 Pentagon Button Head Screw (P), M8 Washer (Q) and M8 Safety Fastener (R).

SEAT SUP-



- 1 Fit Seat Support (J) to Side Panels (A & B) using M8 x 16 Pentagon Button Head Screw (P) and M8 Safety Fastener (R).
- 2 Fit Seat (M) to Seat Support (J) using M8 x 35 Pentagon Countersunk Head Screw (N) and M8 Safety Fastener (R).

STEERING WHEEL FIXING DETAIL



- 1 Fit Steering Wheel (F) to Dashboard Panel (D) using M10 x 60 Hex Head Screw (V), Steering Wheel Boss (K), Bearing (Y), M10 Washer (X), M8 Binx Nut (W), M10 Protective Cap (L) and Steering Wheel Cover Cap (T).


REF	QTY	DESCRIPTION	PART No
A	1	L.H Sports Car Side Panel	3755-066
B	1	R.H Sports Car Side Panel	3755-067
C	1	Front Panel	3755-069
D	1	Dashboard	3755-068
F	1	Steering Wheel	3730-157
G	1	Base Assembly	4200-855
H	8	Fixing Bracket	2900-056
J	2	Seat Support Assembly	4200-857
K	1	Steering Wheel Boss	3730-158
L	1	M10 Protective Cap	2613-014
M	1	Seat	3755-065
N	6	M8 x 35 Pentagon Countersunk Head Screw	2176-009
P	20	M8 x 16 Pentagon Button Head Screw	2176-151
Q	28	M8 Washer	2215-507
R	34	M8 Safety Fastener	2177-001
S	8	M8 x 45 Pentagon Button Head Screw	2176-155
T	1	Steering Wheel Cover Cap	2900-033
U	4	M12 x 130 Rawlbolt	2341-030
V	1	M10 x 60 Hex Head Screw	2185-040
W	1	M10 Binx Nut	2191-010
X	2	M10 Washer	2215-508
Y	1	Roller Bearing	2541-127

Note:-Before first use ensure unit has been installed to correct specifications, ground clearances have been achieved and all installation aids are removed.

Note:-All spare parts are available from Wicksteed Leisure on request.

For maintenance instructions see separate sheet.

Care must be taken in relation to specific hazards to children due to incomplete installation or dismantling, or during maintenance.

	COMPILED:	APPROVED :	REV	1	2	3	4	5
	PG		ECN	1490	minor	minor	minor	minor
	DATE:	DATE:	SIG.	PG	SB	DB	MC	MC
	26/10/05		DATE.	26/10/05	24/05/06	01/06/10	06/10/14	01/05/15



DESPATCH LIST

Product: TODDLER SIT-IN SPORTS CAR Code No. 6070-071

Date of Issue: 09/03/06

Order No:

Issue: A

Item	Unit Qty	Description	Part No.	Checked
1	1	L.H Sports Car Side Panel *	3755-066	
2	1	R.H Sports Car Side Panel *	3755-067	
3	1	Front Panel *	3755-069	
4	1	Dashboard *	3755-068	
5	1	Base Assembly *	4200-855	
6	8	Fixing Bracket *	2900-056	
7	2	Seat Support Assembly *	4200-857	
8	1	Seat *	3755-065	
9	1	Fixings Pack		
Items marked * to be assembled prior to despatch				

Total No. of Items

Picked By:

Checked By:

COMPILED BY: SB	REV	0	1				
	ECN No.	1490	minor				
DATE: 09/03/2006	DATE	09/03/2006	09/05/2006				
	SIGN	SB	SB				

FIXINGS LIST

Sheet 1 of 1

Product: TODDLER SIT-IN SPORTS CAR Code No. 6070-071

Date of Issue: 09/03/06

Order No:

Issue: A

Item	Unit Qty	Description	Part No.	Checked
1	1	Steering Wheel *	3730-157	
2	1	Steering Wheel Boss *	3730-158	
3				
4	6	M8 x 35 Pentagon Countersunk Head Screw *	2176-009	
5	20	M8 x 16 Pentagon Button Head Screw *	2176-151	
6	28	M8 Washer *	2215-507	
7	34	M8 Safety Fastener *	2177-001	
8	8	M8 x 45 Pentagon Button Head Screw *	2176-155	
9	1	Steering Wheel Cover Cap *	2900-033	
10	4	M12 x 130 Rawlbolt	2341-030	
11	1	M10 x 60 Hex Head Screw *	2185-040	
12	1	M10 Binx Nut *	2191-010	
13	1	M10 Protective Cap *	2613-014	
14	1	Roller Bearing (Ø28 x Ø12 x 8mm)*	2541-127	
15	2	M10 Washer *	2215-508	
		Items marked * to be assembled prior to despatch		

Total No. of Items

Picked By:

Checked By:

COMPILED BY: SB	REV	0	1	2	3		
	ECN No.	1490	minor	minor	minor		
	DATE	09/03/2006	09/05/2006	07/10/2014	01/05/2015		
DATE: 09/03/2006	SIGN	SB	SB	MC	MC		