

<b>TODDLER</b>	
Toddler Express	
PROD CODE:	6070-069
SIZE:	1200 x 1100 x 660
AGE RANGE:	2 – 5 Years
FREE FALL HEIGHT:	< 600mm
OVERALL WEIGHT OF UNIT	72 kg

DELIVERY LIST		
Part No.	Description	Qty
	Toddler Express fully assembled	1
	Fixings Pack	1

### **SPECIFICATION**

Panels: 19 & 12mm Thick HD Polyethelene, 100% Recycleable, Non-Toxic & Complies with EN71 Standards

Steel Components: Made from steel to BS 9070 Part 1 (1983)

Welds: Copper free wire conforming to 901 AIB for mild steel.

Base: Aluminium 5 bar treadplate x 3mm thick.

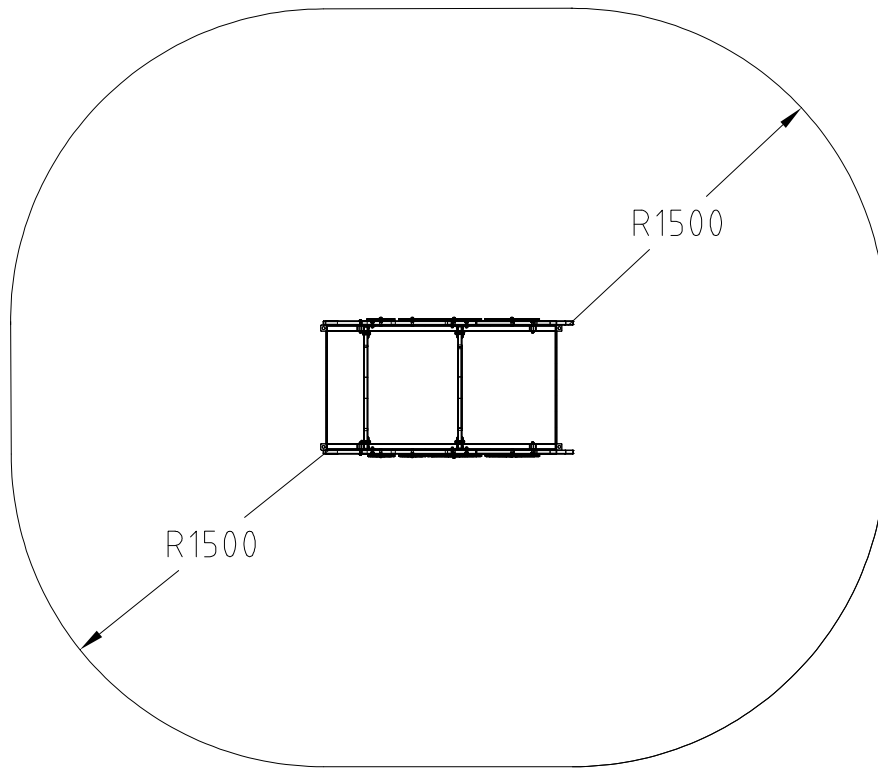
Fixings: Non standard to deter vandalism & plated for weather protection.

### **INSTALLATION INSTRUCTIONS**

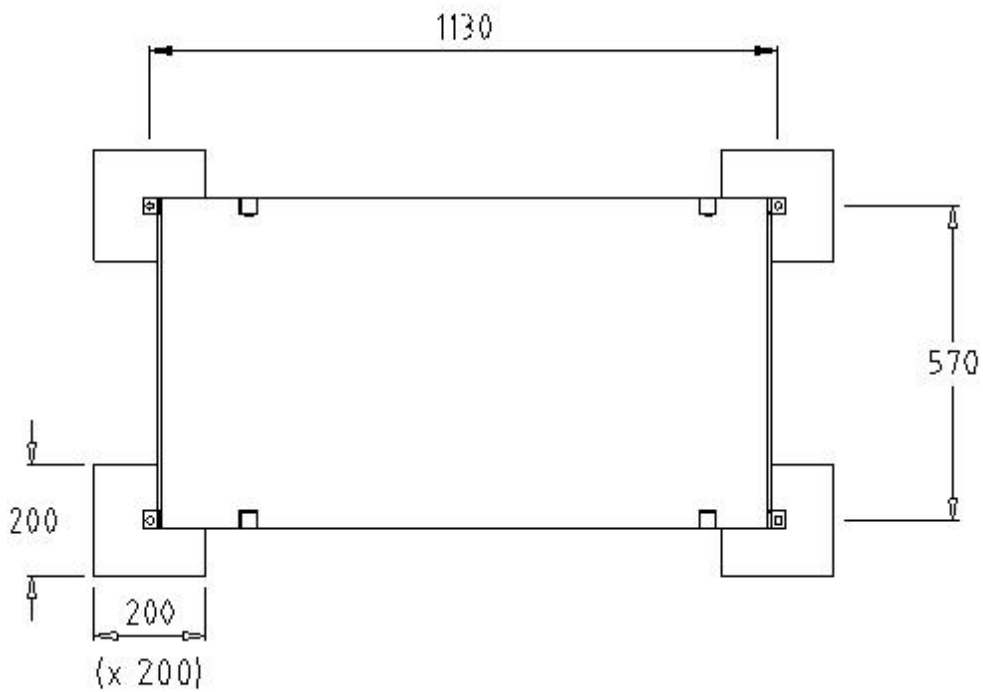
- 1 Read installation instructions through before commencing erection of unit.
- 2 Do NOT tighten rawbolts until the unit is completely assembled
- 3 Excavate foundations as shown on sheet 2.
- 4 Backfill with concrete (4 parts gravel, 2 parts sand, 1 part concrete) and allow 48 hours to set.
- 5 Position Express assembly and mark through fixing holes in base assembly brackets.
- 6 Drill concrete for rawbolts, re-position Express and secure with rawbolts ensuring unit is plumb and square.

Note:-Ensure all installation aids are removed before first use.

**FREE SPACE DETAIL**

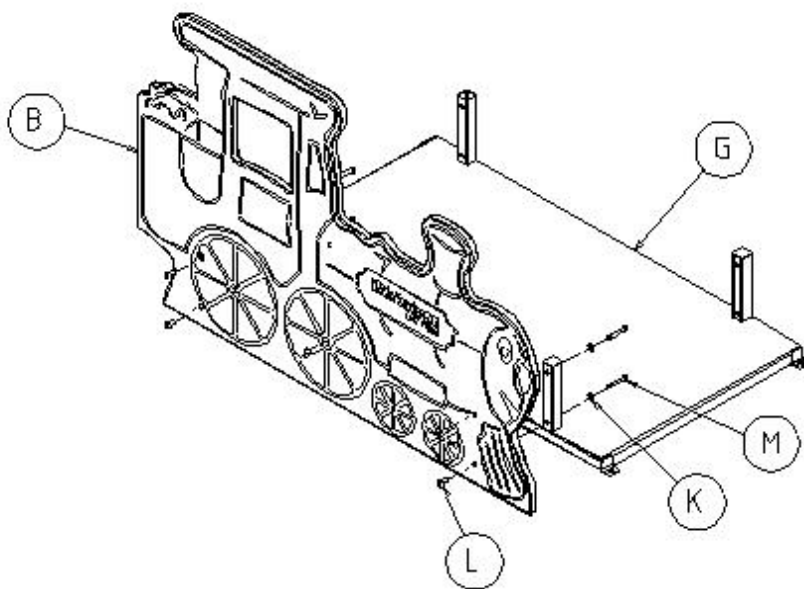


**FOUNDATION DETAIL**  
(Care must be taken under abnormal conditions)



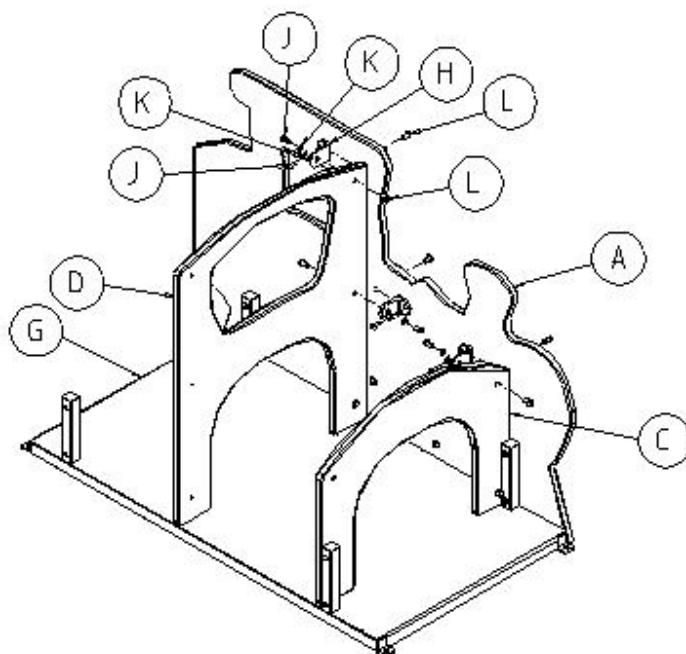
## FIXING DETAILS FOR MAINTENANCE

### SIDE PANEL AND WHEEL FIXING DETAIL



- 1 Fit Side Panels (A & B) to Base Assembly (G) using M8 x 45 Pentagon Button Head Screw (M), M8 Washer (K) and M8 Safety Fastener (L).

### FRONT AND MIDDLE PANEL FIXING DETAIL



- 1 Fit Front and Middle Panels (C & D) to Side Panels (A & B) using Fixing Bracket (H) M8 x 16 Pentagon Button Head Screw (J), M8 Washer (K) and M8 Safety Fastener (L).


REF	QTY	DESCRIPTION	PART No
A	1	L.H Engine Side Panel	3755-078
B	1	R.H Engine Side Panel	3755-079
C	1	Front Panel	3755-081
D	1	Middle Support Panel	3755-080
G	1	Base Assembly	4200-855
H	10	Fixing Bracket	2900-056
J	20	M8 x 16 Pentagon Button Head Screw	2176-151
K	28	M8 Washer	2215-507
L	28	M8 Safety Fastener	2177-001
M	8	M8 x 45 Pentagon Button Head Screw	2176-155
N	4	M12 x 130 Rawlbolt	2341-030

Note:-Before first use ensure unit has been installed to correct specifications, ground clearances have been achieved and all installation aids are removed.

Note:-All spare parts are available from Wicksteed Leisure on request.

For maintenance instructions see separate sheet.

Care must be taken in relation to specific hazards to children due to incomplete installation or dismantling, or during maintenance.

	COMPILED:	APPROVED :	REV	1	2	3		
	PG		ECN	1490	minor	minor		
	DATE:	DATE:	SIG.	PG	SB	DB		
	30/9/05		DATE.	30/9/05	23/05/06	01/06/10		



