

# TODDLERS

## RUBBER MUSHROOMS

|          |       |
|----------|-------|
| 6070-051 | 310mm |
| 6070-052 | 410mm |

### SPECIFICATION

**MUSHROOM TOP:** Manufactured from 90% recycled tyres & pressure moulded using pre-polymers for a hard wearing proof finish.

Mushroom Top:  $\varnothing$ 450mm x 110 deep

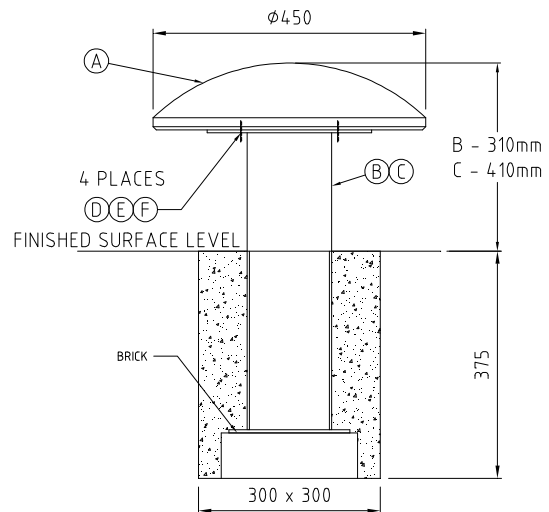
**MUSHROOM STEM:** Manufactured from 125 nominal bore tube, medium gauge (BS1387) c/w 5mm fixing plates.

| Foundation Details |                      |
|--------------------|----------------------|
| Product Code       | Hole Dimensions      |
| 6070-051           | 300 x 300 x 375 Deep |
| 6070-052           | 300 x 300 x 375 Deep |

### INSTALLATION INSTRUCTIONS

- 1 Read installation instructions through before commencing erection of unit.
- 2 Do NOT tighten fastenings until the unit is completely assembled.
- 3 Prepare ground foundations, ensuring correct foundation depth. Place brick in bottom of hole.
- 4 Place assembled mushroom top and stem in the hole ensuring that the height from finished surface level to top of mushroom is achieved.
- 5 Backfill with concrete and leave to set for 48 hours.

**Note:** All protruding screw threads to be peened over to remove sharp edges. Ensure all installation aids are removed before first use.



| REF | QTY | DESCRIPTION                         | PART No  |
|-----|-----|-------------------------------------|----------|
| A   | 1   | Mushroom Top (one per stem)         | 3730-052 |
| B   | 1   | Short Mushroom Stem                 | 4201-123 |
| C   | 1   | Long Mushroom Stem                  | 4201-122 |
| D   | 4   | M10 x 25 Pentagon Button Head Screw | 2176-126 |
| E   | 4   | M10 Spring Washer                   | 2212-203 |
| F   | 4   | M10 Flat Washer                     | 2215-509 |

| COMPILED: | APPROVED : | REV   | NEW      | 2        | 3        | 4        | 5        | 6        |
|-----------|------------|-------|----------|----------|----------|----------|----------|----------|
| PG        |            | ECN   | 1304     | minor    | minor    | minor    | minor    | minor    |
| DATE:     | DATE:      | SIG.  | PG       | PJM      | SB       | SB       | SB       | TW       |
| 17/02/98  |            | DATE. | 17/02/98 | 09-02-01 | 04-02-03 | 04/06/03 | 19/02/04 | 10/01/08 |

# DESPATCH LIST

Product: Rubber Mushroom - 410 High      Code No. 6070-052      Date of Issue: 30/3/01

Order No: \_\_\_\_\_ Issue: A

| Item                                  | Unit Qty | Description          | Part No. | Checked |
|---------------------------------------|----------|----------------------|----------|---------|
| 1                                     | 1        | Long Mushroom Stem * | 4201-122 |         |
| 2                                     | 1        | Mushroom Top *       | 3730-052 |         |
| 3                                     | 1        | Fixings Pack         |          |         |
|                                       |          |                      |          |         |
|                                       |          |                      |          |         |
|                                       |          |                      |          |         |
| ITEMS MARKED * FITTED BEFORE DESPATCH |          |                      |          |         |
|                                       |          |                      |          |         |
|                                       |          |                      |          |         |
|                                       |          |                      |          |         |
|                                       |          |                      |          |         |
|                                       |          |                      |          |         |
|                                       |          |                      |          |         |
|                                       |          |                      |          |         |
|                                       |          |                      |          |         |
|                                       |          |                      |          |         |
|                                       |          |                      |          |         |
|                                       |          |                      |          |         |
|                                       |          |                      |          |         |
|                                       |          |                      |          |         |
|                                       |          |                      |          |         |
|                                       |          |                      |          |         |
|                                       |          |                      |          |         |
|                                       |          |                      |          |         |
|                                       |          |                      |          |         |

Total No. of Items

Picked By: \_\_\_\_\_ Checked By: \_\_\_\_\_

|               |         |         |          |          |          |  |  |
|---------------|---------|---------|----------|----------|----------|--|--|
| COMPILED      | REV     | NEW     | 1        | 2        | 3        |  |  |
| BY: PG        | ECN No. | 1304    | minor    | minor    | minor    |  |  |
| DATE: 13/2/98 | DATE    | 13/2/98 | 17/01/03 | 04/06/03 | 10/01/08 |  |  |
|               | SIGN    | PG      | SB       | SB       | TW       |  |  |

# FIXINGS LIST

Product: Rubber Mushroom - 410 High      Code No. 6070-052      Date of Issue: 30/3/01

---

Order No: \_\_\_\_\_ Issue: A

| Item | Unit Qty | Description                         | Part No. | Checked |
|------|----------|-------------------------------------|----------|---------|
| 1    | 4        | M10 x 25 Pentagon Button Head Screw | 2176-126 |         |
| 2    | 4        | M10 Spring Washer                   | 2212-203 |         |
| 3    | 4        | M10 Flat Washer                     | 2215-509 |         |
| 4    | 1        | M10/M12 Pentagon Key                | 2372-008 |         |
|      |          |                                     |          |         |
|      |          |                                     |          |         |
|      |          |                                     |          |         |
|      |          |                                     |          |         |
|      |          |                                     |          |         |
|      |          |                                     |          |         |
|      |          |                                     |          |         |
|      |          |                                     |          |         |
|      |          |                                     |          |         |
|      |          |                                     |          |         |
|      |          |                                     |          |         |
|      |          |                                     |          |         |
|      |          |                                     |          |         |
|      |          |                                     |          |         |
|      |          |                                     |          |         |
|      |          |                                     |          |         |
|      |          |                                     |          |         |
|      |          |                                     |          |         |
|      |          |                                     |          |         |
|      |          |                                     |          |         |
|      |          |                                     |          |         |
|      |          |                                     |          |         |
|      |          |                                     |          |         |

Total No. of Items   

Picked By: \_\_\_\_\_ Checked By: \_\_\_\_\_

|                 |         |         |          |          |  |  |  |
|-----------------|---------|---------|----------|----------|--|--|--|
| COMPILED BY: PG | REV     | NEW     | 1        | 2        |  |  |  |
|                 | ECN No. | 1304    | minor    | minor    |  |  |  |
| DATE: 13/2/98   | DATE    | 13/2/98 | 04/06/03 | 10/01/08 |  |  |  |
|                 | SIGN    | PG      | SB       | TW       |  |  |  |