

# TODDLERS

## RUBBER MUSHROOMS

6070-051	310mm
6070-052	410mm

### SPECIFICATION

**MUSHROOM TOP:** Manufactured from 90% recycled tyres & pressure moulded using pre-polymers for a hard wearing proof finish.

Mushroom Top:  $\varnothing 450\text{mm}$  x 110 deep

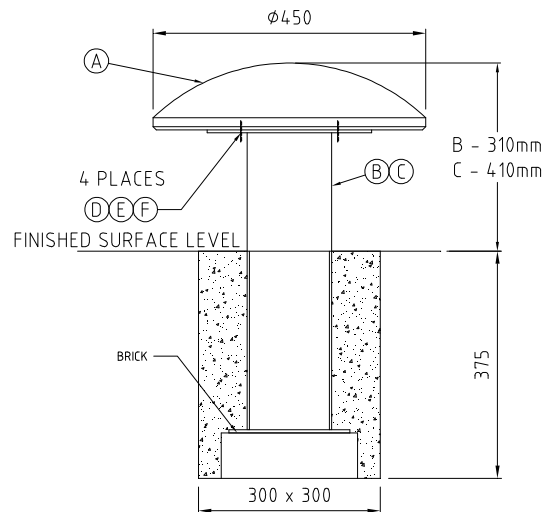
**MUSHROOM STEM:** Manufactured from 125 nominal bore tube, medium gauge (BS1387) c/w 5mm fixing plates.

Foundation Details	
Product Code	Hole Dimensions
6070-051	300 x 300 x 375 Deep
6070-052	300 x 300 x 375 Deep

### INSTALLATION INSTRUCTIONS

- 1 Read installation instructions through before commencing erection of unit.
- 2 Do NOT tighten fastenings until the unit is completely assembled.
- 3 Prepare ground foundations, ensuring correct foundation depth. Place brick in bottom of hole.
- 4 Place assembled mushroom top and stem in the hole ensuring that the height from finished surface level to top of mushroom is achieved.
- 5 Backfill with concrete and leave to set for 48 hours.

**Note:** All protruding screw threads to be peened over to remove sharp edges. Ensure all installation aids are removed before first use.



REF	QTY	DESCRIPTION	PART No
A	1	Mushroom Top (one per stem)	3730-052
B	1	Short Mushroom Stem	4201-123
C	1	Long Mushroom Stem	4201-122
D	4	M10 x 25 Pentagon Button Head Screw	2176-126
E	4	M10 Spring Washer	2212-203
F	4	M10 Flat Washer	2215-509

COMPILED:	APPROVED :	REV	NEW	2	3	4	5	6
PG		ECN	1304	minor	minor	minor	minor	minor
DATE:	DATE:	SIG.	PG	PJM	SB	SB	SB	TW
17/02/98		DATE.	17/02/98	09-02-01	04-02-03	04/06/03	19/02/04	10/01/08

# DESPATCH LIST

Product: Rubber Mushroom - 310 High      Code No. 6070-051      Date of Issue: 30/3/01

Order No: \_\_\_\_\_ Issue: A

Item	Unit Qty	Description	Part No.	Checked
1	1	Short Mushroom Stem *	4201-123	
2	1	Mushroom Top *	3730-052	
3	1	Fixings Pack		
		ITEMS MARKED * FITTED BEFORE DESPATCH		

Total No. of Items

Picked By: \_\_\_\_\_ Checked By: \_\_\_\_\_

COMPILED BY: PG	REV	NEW	1	2	3		
	ECN No.	1304	minor	minor	minor		
DATE: 13/2/98	DATE	13/2/98	17/01/03	04/06/03	10/01/08		
	SIGN	PG	SB	SB	TW		

