


<h1>Swings</h1>	
<h2>Mini Swing</h2>	
PROD. CODE	6040-099
SIZE	1735x1460x330
AGE RANGE	5 to 14 Years
F/ FALL HEIGHT	910mm
HEAVIEST PART	52 Kg
TOTAL WEIGHT	120 Kg
	

### SPECIFICATION

Steel plate to EN 10025-2:2004  
 Steel CHS to EN 10210 S355  
 Welding to EN ISO 14341:2011  
 Polyester powder paint to EN 13438:2005  
 Standard fixings to BS 3692:2001 and  
 BS 4190:2001

Non-standard fixings are anti-vandal and  
 corrosion resistant  
 Flat rubber seats have an aluminium insert  
 bonded to a synthetic rubber (EPDM)  
 honeycomb construction

### INSTALLATION INSTRUCTIONS

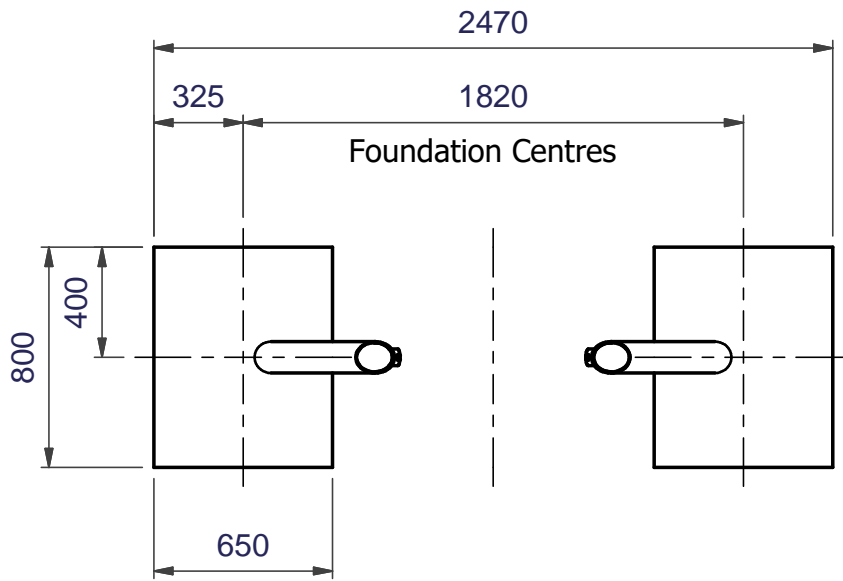
- 1 Read instructions thoroughly before commencing installation of unit.
- 2 Excavate foundations as shown in the foundation plan.
- 3 Position uprights on bricks in foundation holes.
- 4 Use installation aid to position the uprights and maintain correct height, angle and spacing.
- 5 Backfill foundations with approx 0.74m<sup>3</sup> concrete (4 parts gravel/2 parts sand/1 part cement).
- 6 Allow concrete to set for 48 hours.
- 7 Attach chains to fixing lugs.

Note

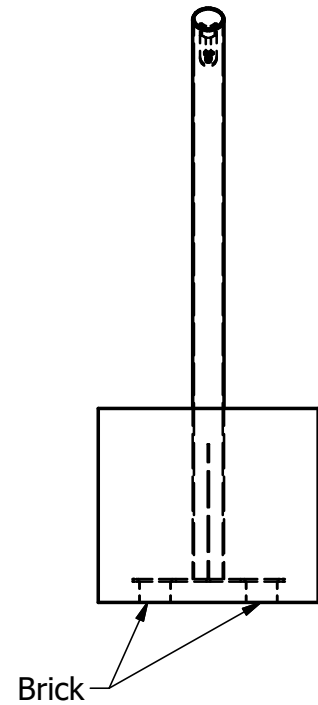
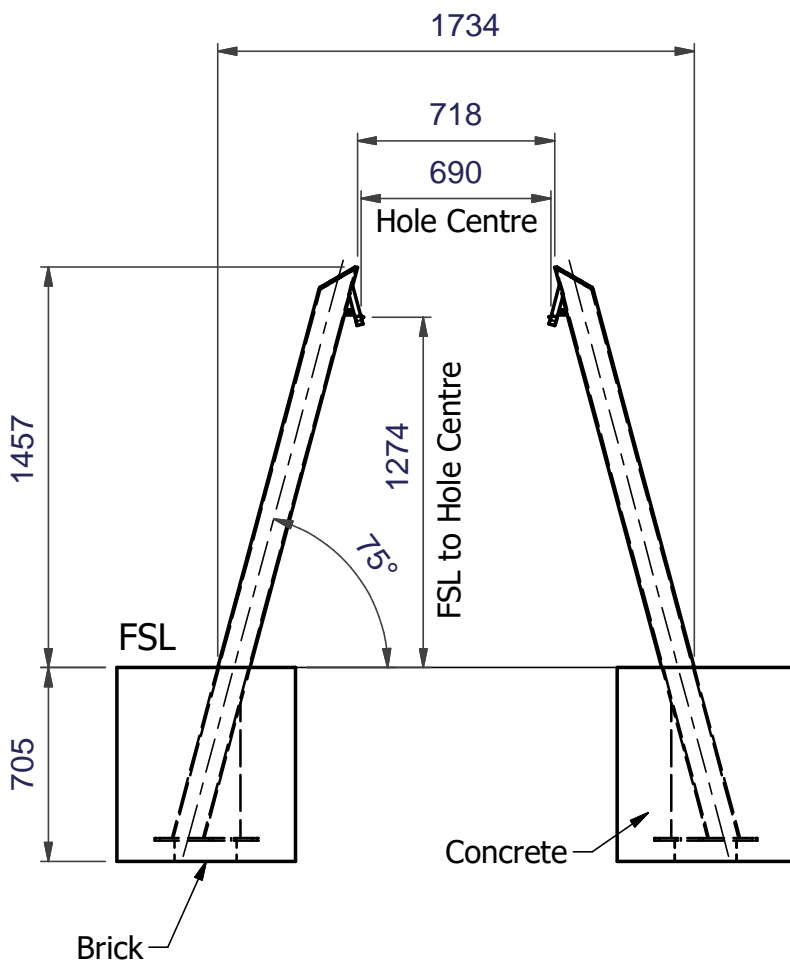
**Note ENSURE ALL INSTALLATION AIDS ARE REMOVED BEFORE FIRST USE!**

# Foundation details

Care must be taken in abnormal conditions



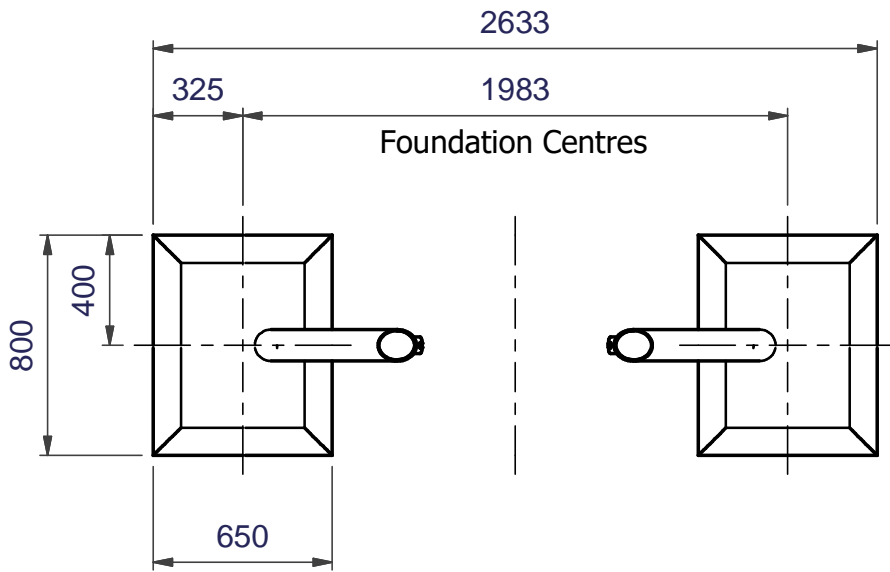
**IMPORTANT :- Use installation aid to position uprights see sheet 4 for details**



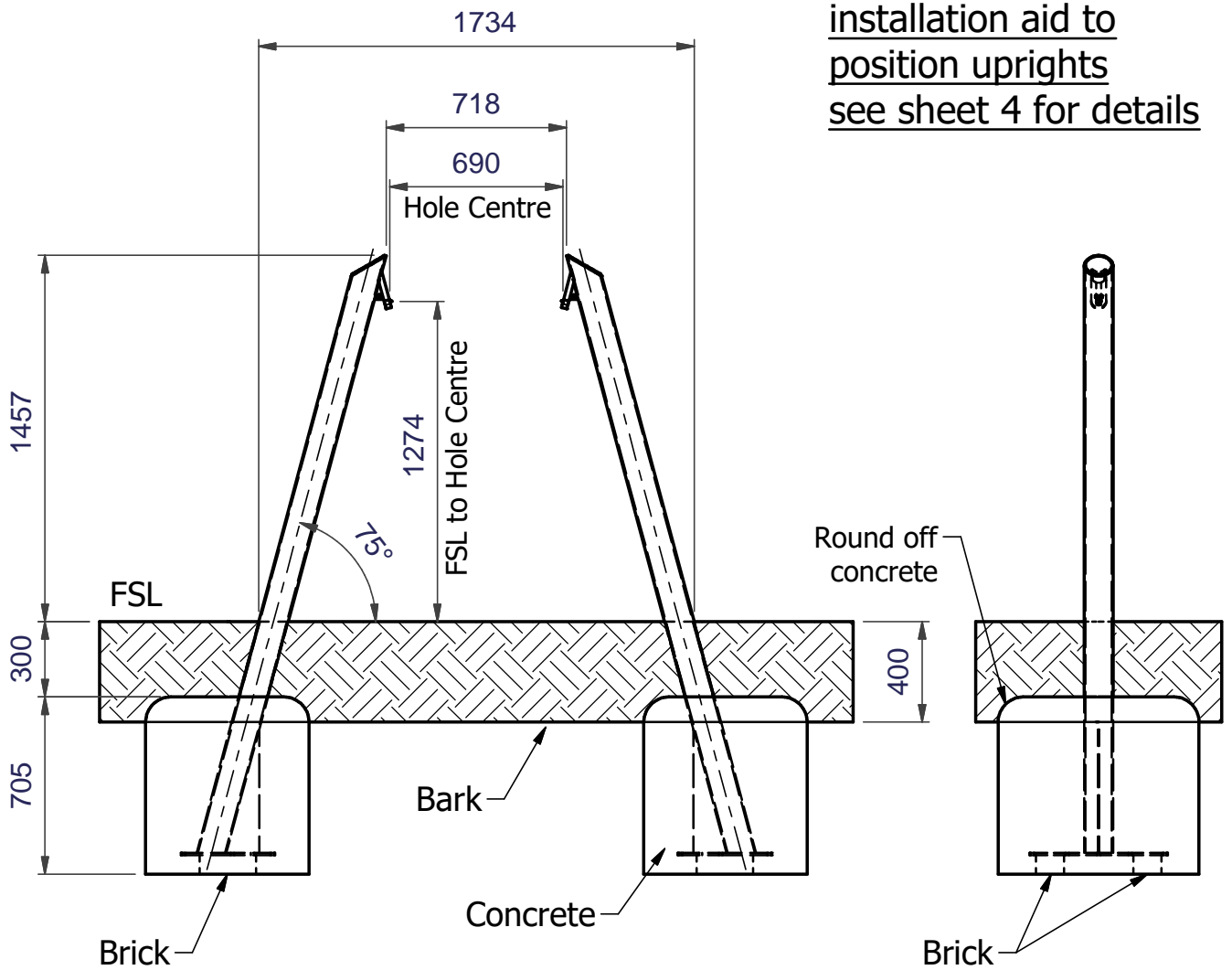
FSL = Finished Surface Level

# Bark Foundation details

Care must be taken in abnormal conditions

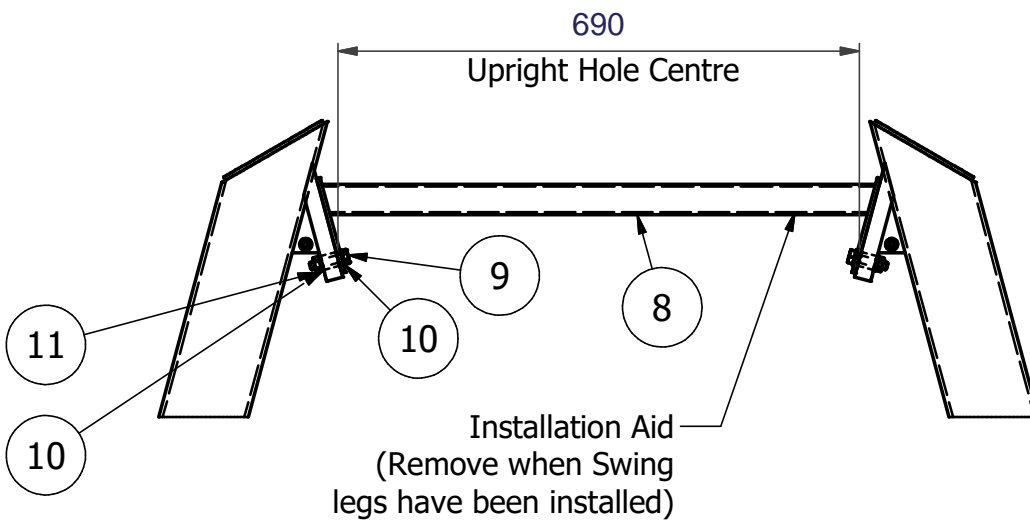
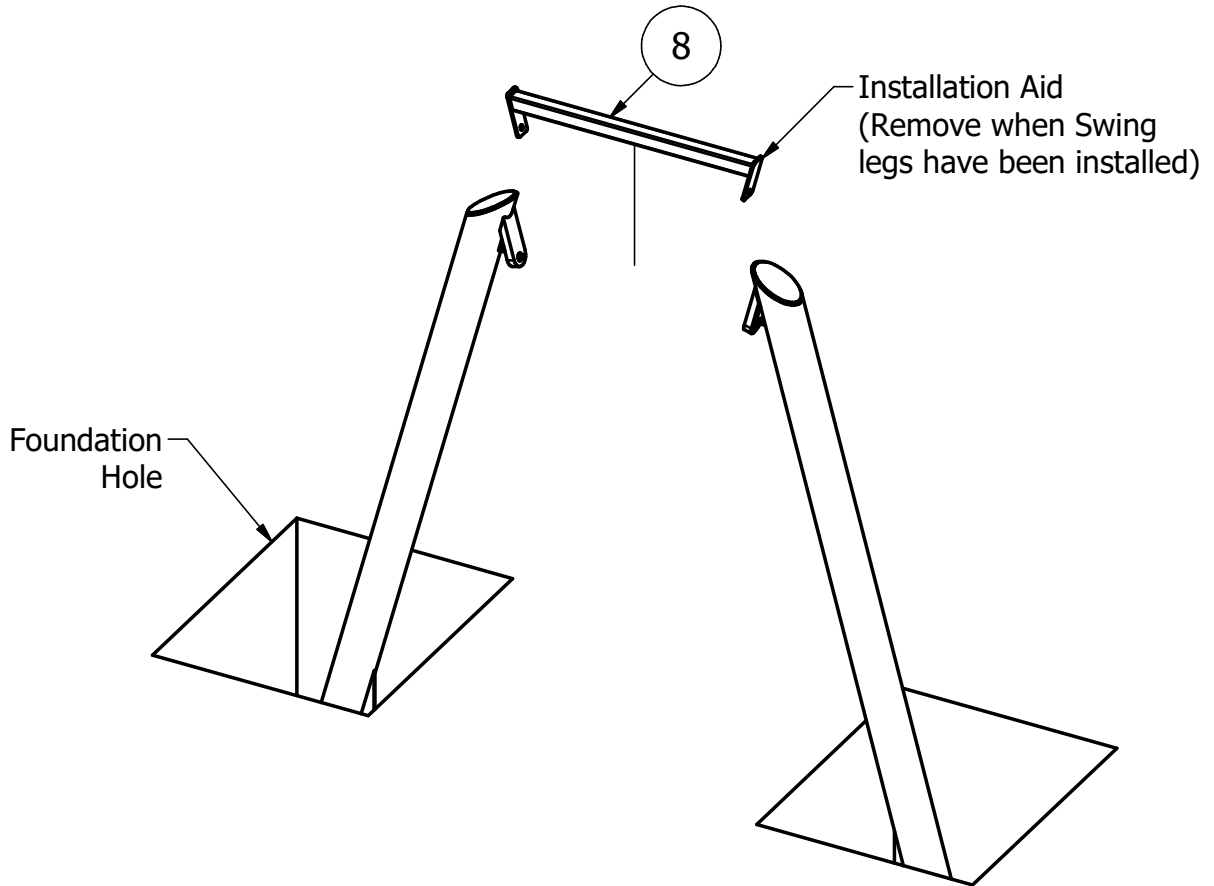
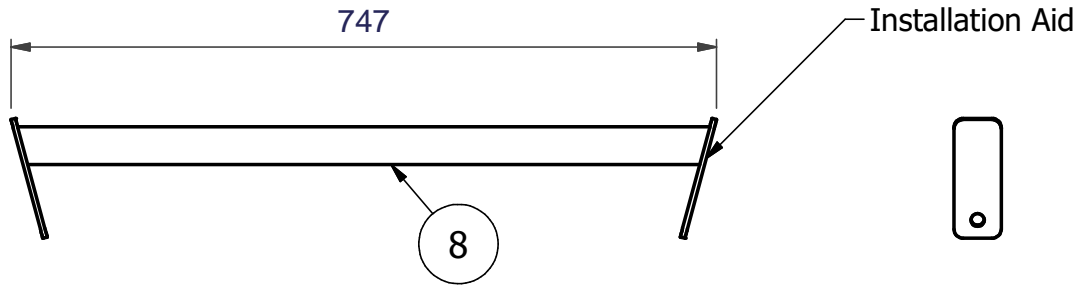


**IMPORTANT :- Use installation aid to position uprights see sheet 4 for details**

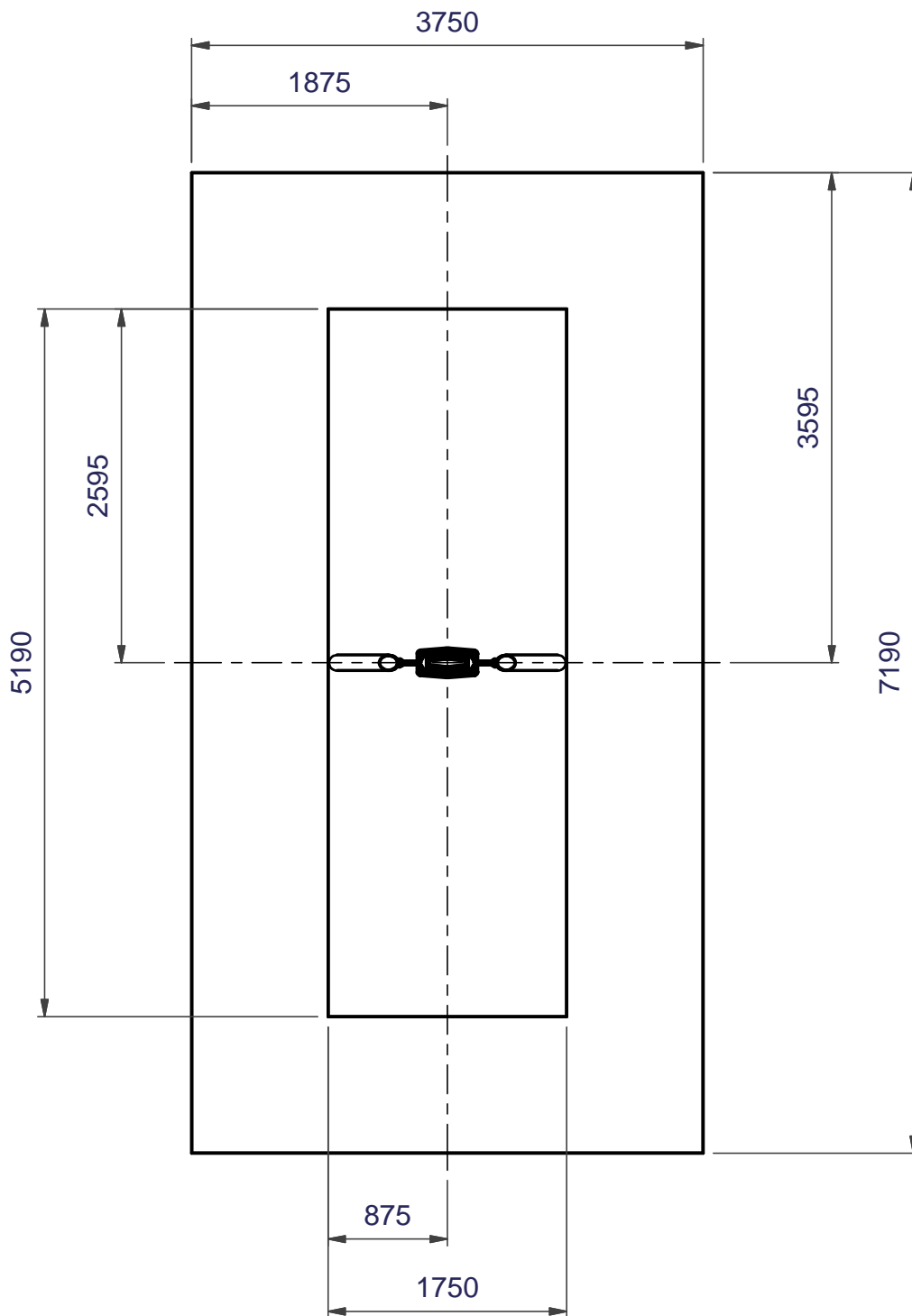


FSL = Finished Surface Level

Installation Aid



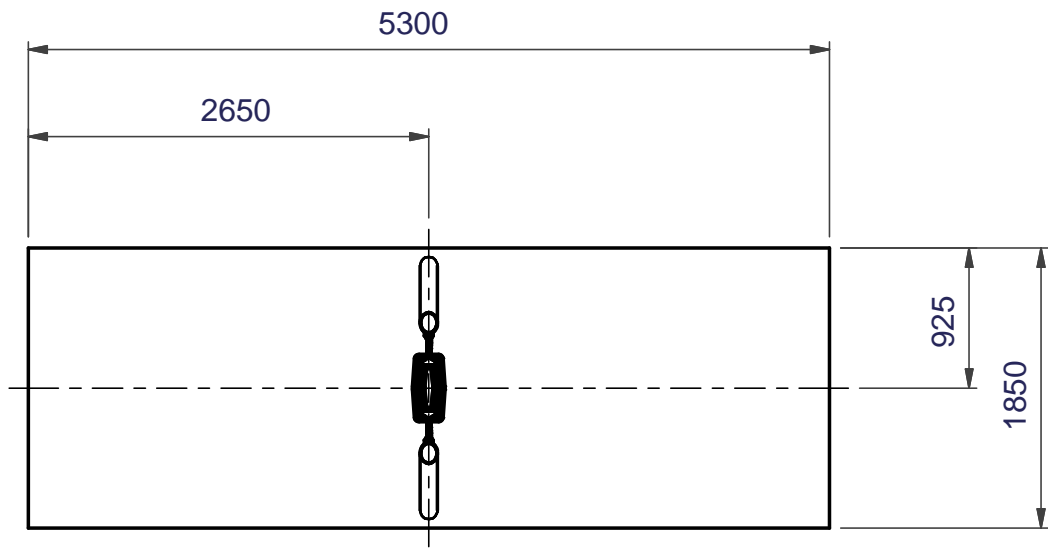
Minimum Space and Separation



Safety Surfacing - Wetpour

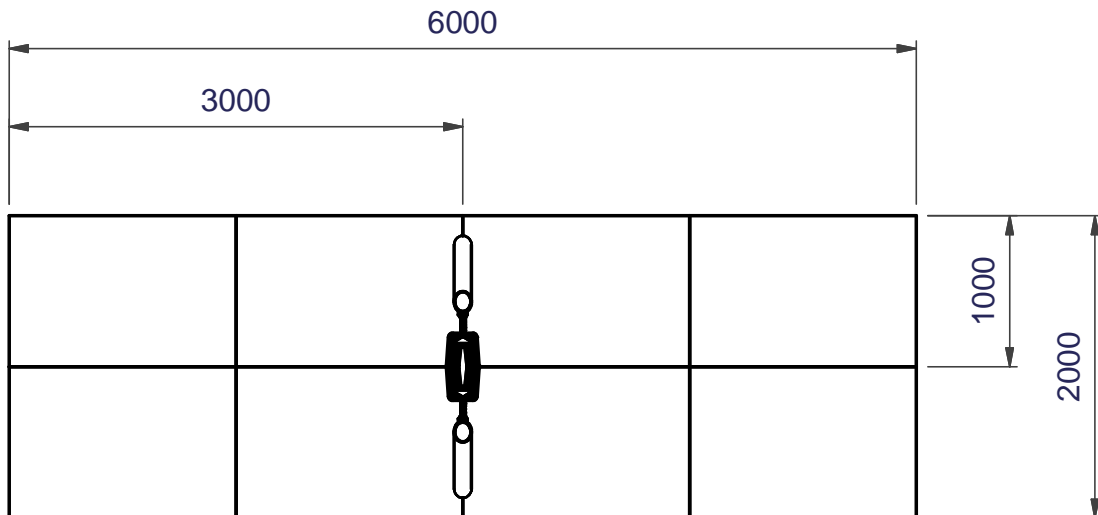
10m<sup>2</sup> 40mm wetpour

14.5m Linear metres wetpour edging



Safety Surfacing - Grass Mats

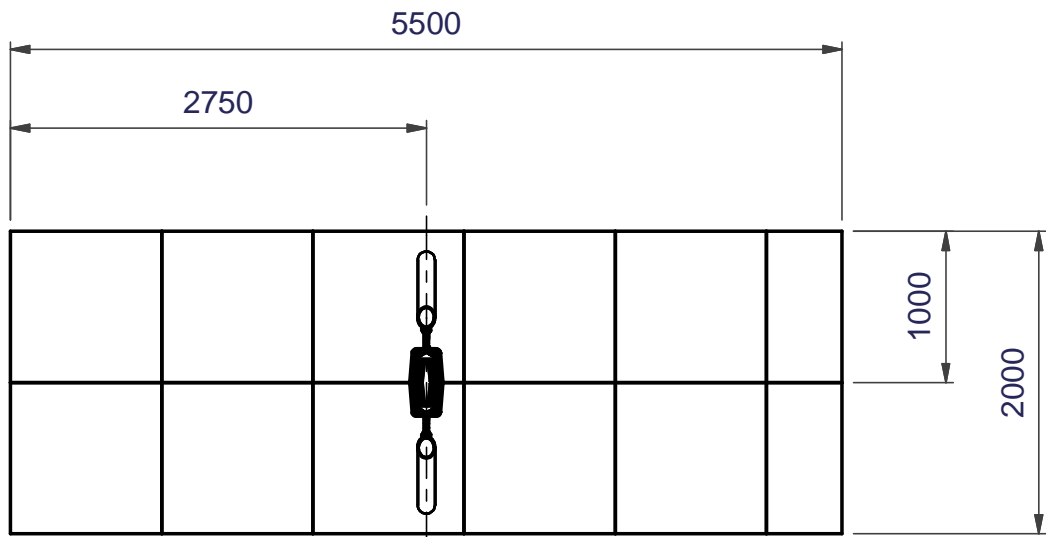
8 Grass mats (1.5m x 1.0m)



Safety Surfacing - Tiles

11 No. 40mm Tiles

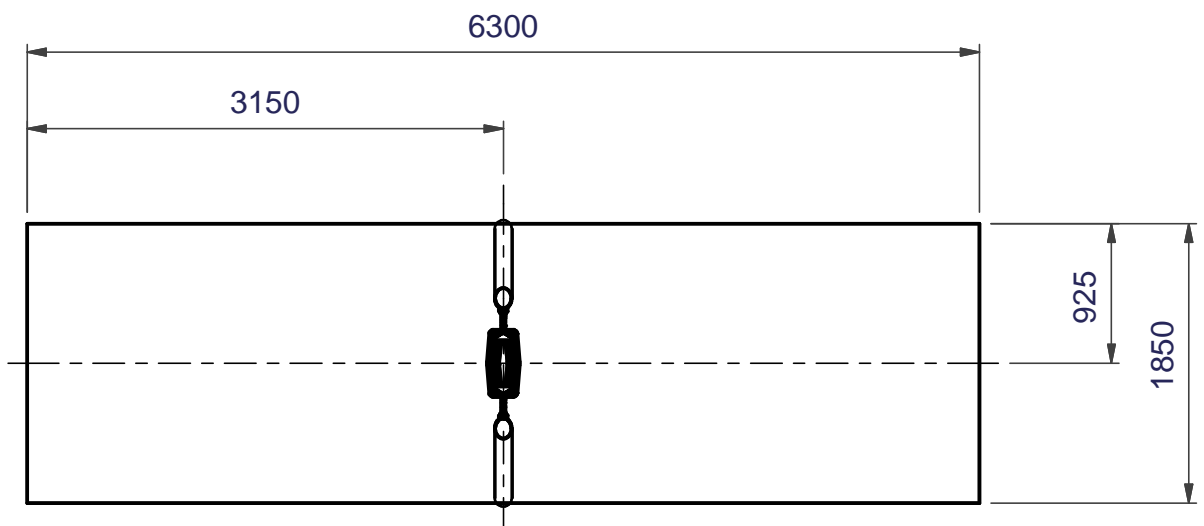
15m Linea metres edging



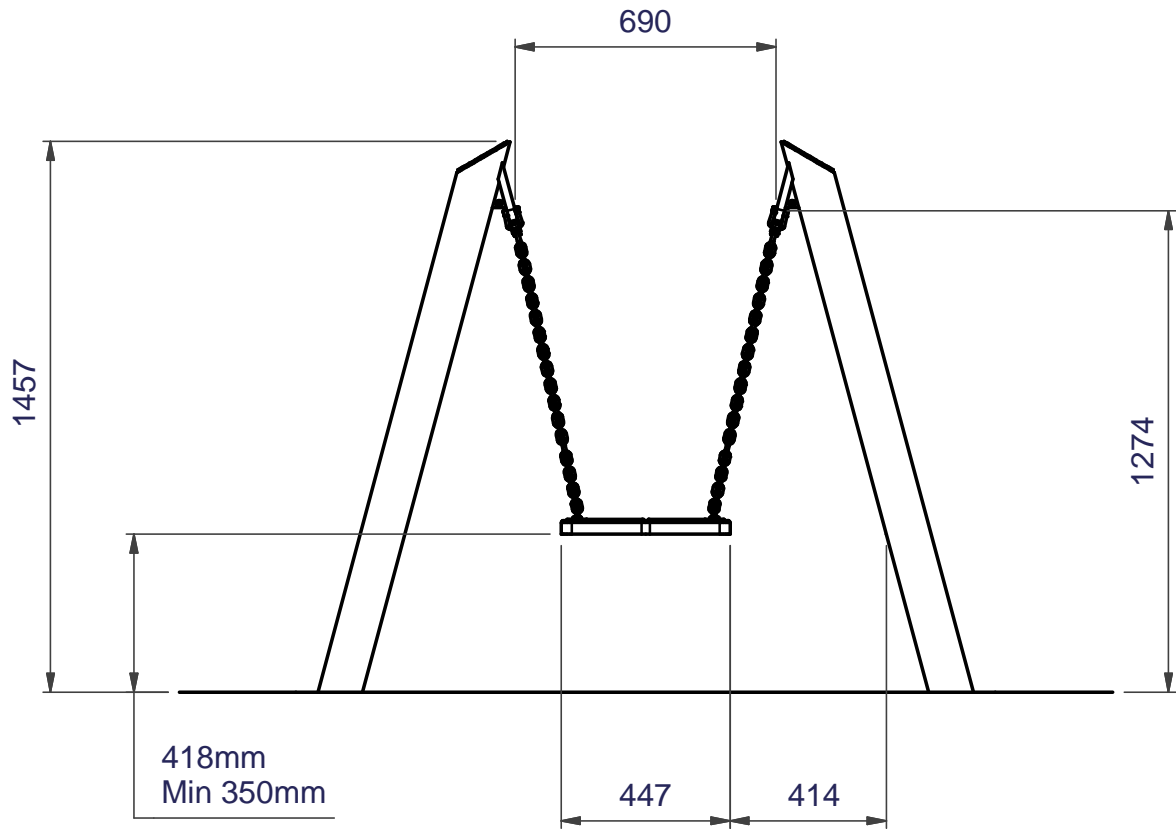
Safety Surfacing - Loosefill

12.0m<sup>2</sup> Loosefill

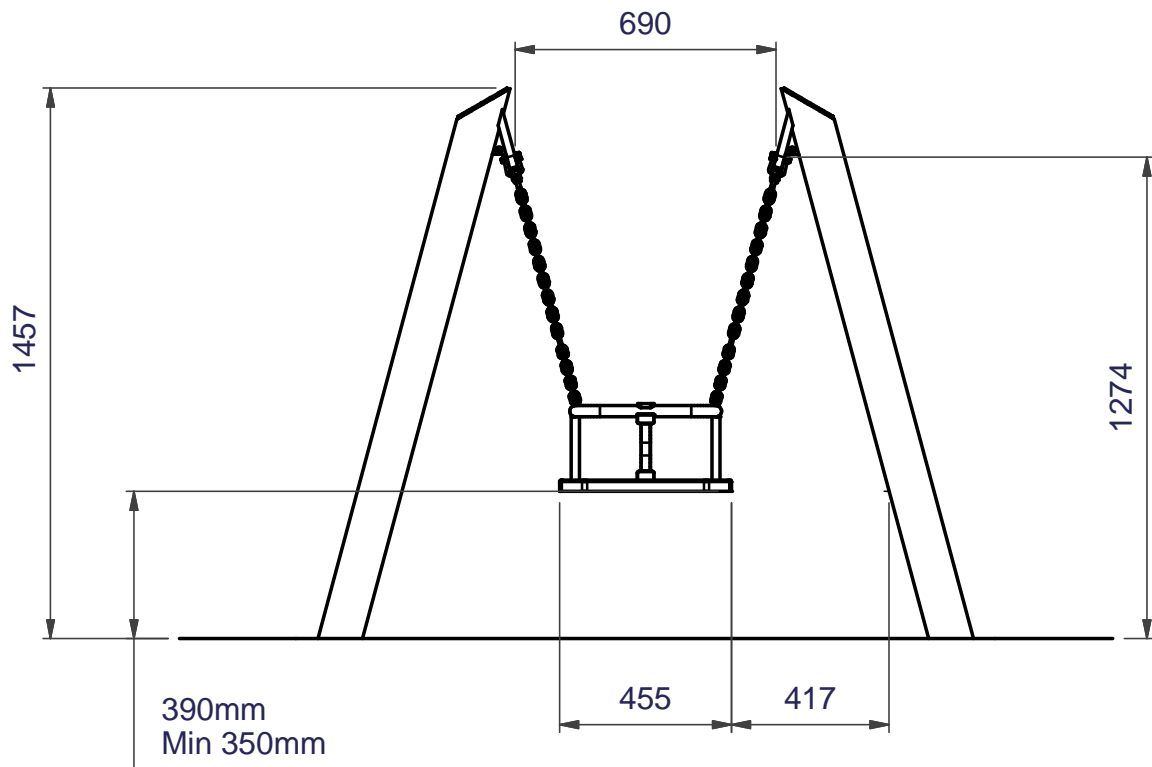
16.5m edging



**6040-099 - Single Bay - Flat Seat**



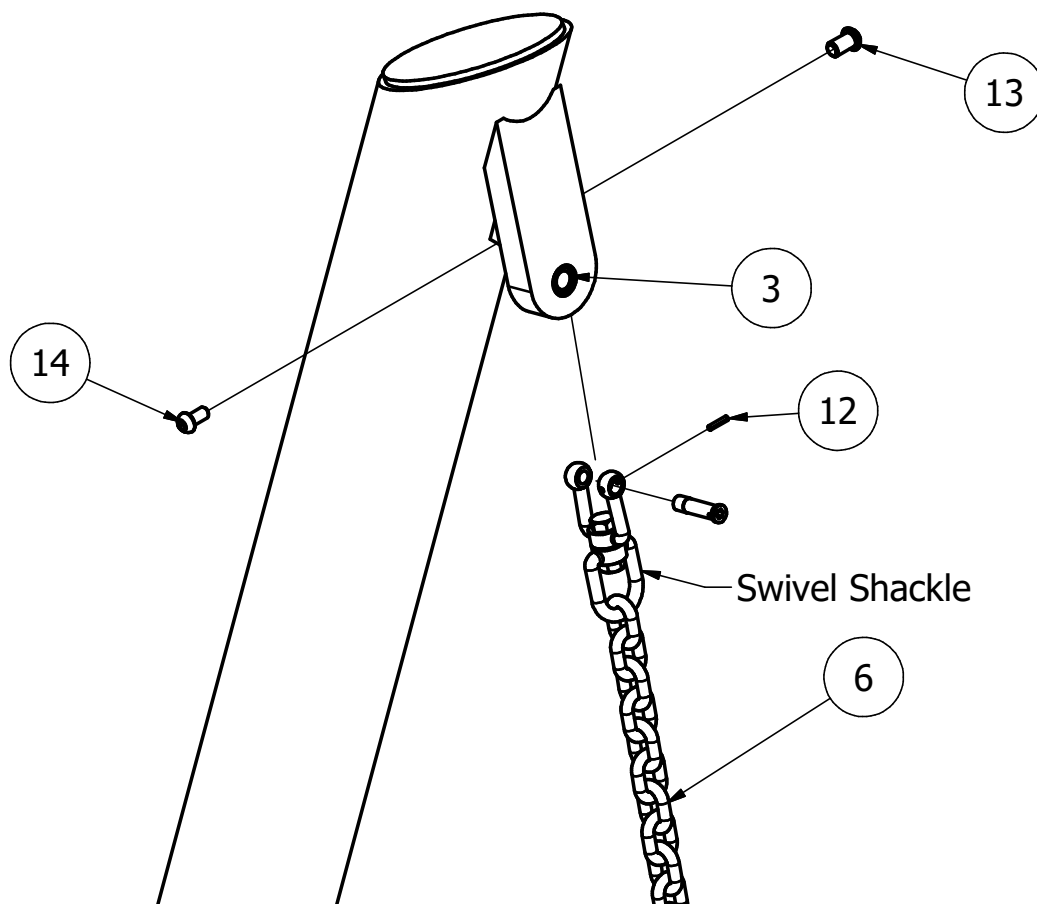
**6040-099C - Single Bay - Cradle Seat**

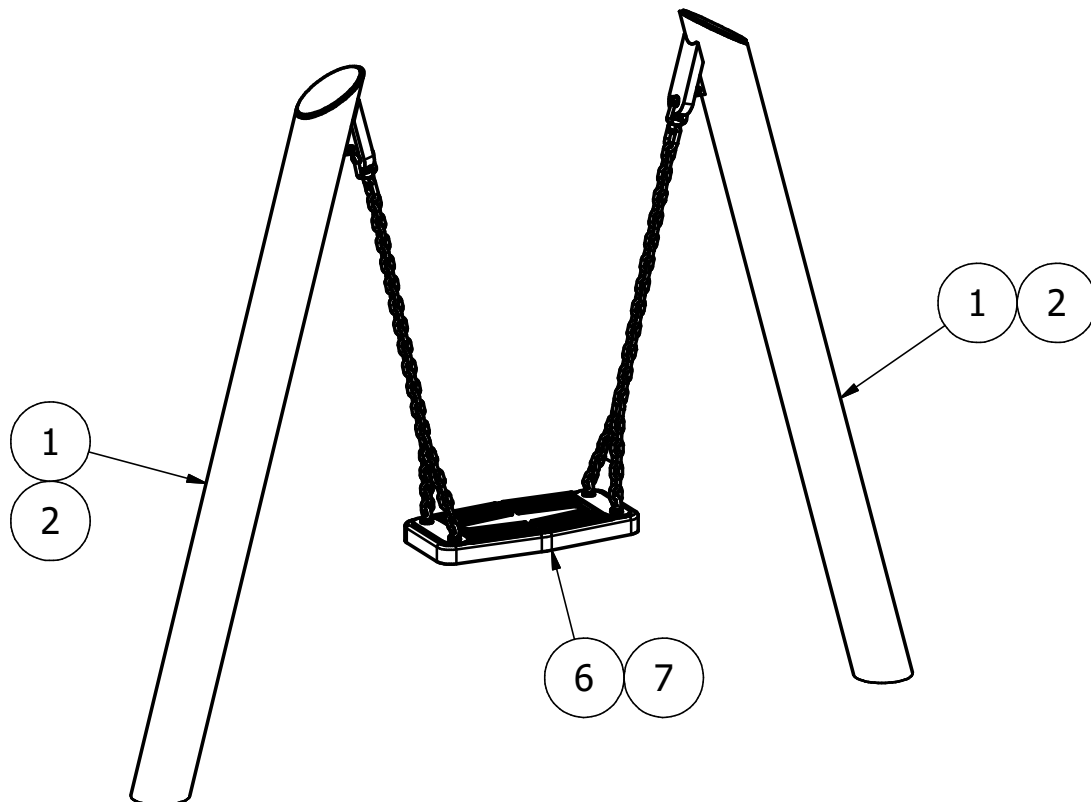




### Chain to fixing lug assembly detail

- 1 Fit the swivel shackle chain assembly to the fixing lug, securing with the sellok pin.
- 2 Fit fixings in hole behind lug.





Parts List

ITEM	QTY	PART NUMBER	DESCRIPTION
1	2	4202-032	End Leg Assembly
2	2	4202-652	End Leg Assembly - Bark
3	2	2511-010	OILITE BUSH CT10
6	1	5082-336	Flat Seat/Chain Assembly for Mini Swing
7	1	5082-337	Cradle Seat/Chain Assembly for Mini Swing
8	1	4202-650	Installation Aid (747mm Lg)
9	2	2175-119	M10 x 45 LG HEX HD SCREW
10	4	2215-508	M10 Washer
11	2	2193-006	M10 Nut
12	2	2223-023	DIA 1/8" x 5/8" LG SELLOK PIN
13	2	2177-001	M8 Safety Fastener
14	2	2176-151	M8 x 16 Pent Button Head

6040-099 Mini Swing - 5082-336 Flat seat

6040-099C Mini Swing - 5082-337 Cradle seat

COMPILED DB	REV	0	1	2					
	ECN	1682	Minor	Minor					
DATE: 26/06/13	SIG.	DB	MC	MC					
	DATE:	26/06/13	10/08/16	07/01/19					

# DESPATCH LIST

Product: 6040-099 - Single Mini Swing with Flat Seat Date of Issue: 28/06/13

Order No: Issue: A

Item	Unit Qty	Description	Part No.	Checked
1	1	Flat Seat & Chains	5082-336	
2	2	End Leg Assembly	4202-032	
3	1	Installation Aid (747mm Lg)	4202-650	
		<b>Items marked * to be fitted before despatch</b>		

Total No. of Items

Picked By: Checked By:

COMPILED BY: DB	REV	0	1	2			
	ECN No.	1682	Minor	Minor			
DATE: 28/06/13	DATE	28/06/2013	11/08/2016	08/01/2019			
	SIGN	DB	MC	MC			

# FIXINGS LIST

Product: 6040-099 - Single Mini Swing with Flat Seat Date of Issue: 28/06/13

Order No: Issue: A

Item	Unit Qty	Description	Part No.	Checked
1				
2				
3	2	Oilite Bush CT10 *	2511-010	
4	2	M10 x 45 Lg Hex Head Screw	2175-119	
5	4	M10 Washer	2215-508	
6	2	M10 Nut	2193-006	
7				
8	2	M8 x 16 Pent Button Head	2176-151	
9	2	M8 Safety Fastener	2177-001	
		<b>Items marked * to be fitted before despatch</b>		

Total No. of Items

Picked By: Checked By:

COMPILED BY: DB	REV	0	1	2			
	ECN No.	1682	Minor	Minor			
	DATE	28/06/2013	11/08/2016	05/02/2019			
DATE: 28/06/13	SIGN	DB	MC	MC			

# DESPATCH LIST

Product: 6040-099C - Single Mini Swing with Cradle Seat Date of Issue: 28/06/13

Order No: Issue: A

Item	Unit Qty	Description	Part No.	Checked
1	1	Cradle Seat & Chains	5082-337	
2	2	End Leg Assembly	4202-032	
3	1	Installation Aid (747mm Lg)	4202-650	
		<b>Items marked * to be fitted before despatch</b>		

Total No. of Items

Picked By: Checked By:

COMPILED BY: DB	REV	0	1	2			
	ECN No.	1682	Minor	Minor			
DATE: 28/06/13	DATE	28/06/2013	11/08/2016	08/01/2019			
	SIGN	DB	MC	MC			

# FIXINGS LIST

Sheet 1 of 1

Product: 6040-099C - Single Mini Swing with Cradle Seat Date of Issue: 28/06/13

Order No: \_\_\_\_\_ Issue: A

Item	Unit Qty	Description	Part No.	Checked
1				
2				
3	2	Oilite Bush CT10 *	2511-010	
4	2	M10 x 45 Lg Hex Head Screw	2175-119	
5	4	M10 Washer	2215-508	
6	2	M10 Nut	2193-006	
7				
8	2	M8 x 16 Pent Button Head	2176-151	
9	2	M8 Safety Fastener	2177-001	
		<b>Items marked * to be fitted before despatch</b>		

Total No. of Items

Picked By: \_\_\_\_\_ Checked By: \_\_\_\_\_

COMPILED BY: DB	REV	0	1	2		
	ECN No.	1682	Minor	Minor		
DATE: 28/06/13	DATE	28/06/2013	11/08/2016	05/02/2019		
	SIGN	DB	MC	MC		

# DESPATCH LIST

Product: 6040-899 - Single Mini Swing with Flat Seat - Bark Date of Issue: 11/08/16

Order No: Issue: A

Item	Unit Qty	Description	Part No.	Checked
1	1	Flat Seat & Chains	5082-336	
2	2	End Leg Assembly - Bark	4202-652	
3	1	Installation Aid (747mm Lg)	4202-650	
<b>Items marked * to be fitted before despatch</b>				

Total No. of Items

Picked By: Checked By:

COMPILED BY: MC	REV	0	1				
	ECN No.	Minor	Minor				
DATE: 11/08/16	DATE	11/08/2016	08/01/2019				
	SIGN	MC	MC				

# FIXINGS LIST

Product: 6040-899 - Single Mini Swing with Flat Seat - Bark Date of Issue: 11/08/16

Order No: \_\_\_\_\_ Issue: A

Item	Unit Qty	Description	Part No.	Checked
1				
2				
3	2	Oilite Bush CT10 *	2511-010	
4	2	M10 x 45 Lg Hex Head Screw	2175-119	
5	4	M10 Washer	2215-508	
6	2	M10 Nut	2193-006	
7				
8	2	M8 x 16 Pent Button Head	2176-151	
9	2	M8 Safety Fastener	2177-001	
		<b>Items marked * to be fitted before despatch</b>		

Total No. of Items

Picked By: \_\_\_\_\_ Checked By: \_\_\_\_\_

COMPILED BY: MC	REV	0	1			
	ECN No.	Minor	Minor			
DATE: 11/08/16	DATE	11/08/2016	05/02/2019			
	SIGN	MC	MC			



# DESPATCH LIST

Product: 6040-899C - Single Mini Swing with Cradle Seat - Bark Date of Issue: 11/08/16

Order No: Issue: A

Item	Unit Qty	Description	Part No.	Checked
1	1	Cradle Seat & Chains	5082-337	
2	2	End Leg Assembly - Bark	4202-652	
3	1	Installation Aid (747mm Lg)	4202-650	
Items marked * to be fitted before despatch				

Total No. of Items

Picked By: Checked By:

COMPILED BY: MC	REV	0	1			
	ECN No.	Minor	Minor			
DATE: 11/08/16	DATE	11/08/2016	08/01/2019			
	SIGN	MC	MC			

# FIXINGS LIST

Product: 6040-899C - Single Mini Swing with Cradle Seat - Bark      Date of Issue: 11/08/16

Order No: \_\_\_\_\_ Issue: A

Item	Unit Qty	Description	Part No.	Checked
1				
2				
3	2	Oilite Bush CT10 *	2511-010	
4	2	M10 x 45 Lg Hex Head Screw	2175-119	
5	4	M10 Washer	2215-508	
6	2	M10 Nut	2193-006	
7				
8	2	M8 x 16 Pent Button Head	2176-151	
9	2	M8 Safety Fastener	2177-001	
<b>Items marked * to be fitted before despatch</b>				

Total No. of Items     

Picked By: \_\_\_\_\_ Checked By: \_\_\_\_\_

COMPILED BY: MC	REV	0	1				
	ECN No.	Minor	Minor				
DATE:    11/08/16	DATE	11/08/2016	05/02/2019				
	SIGN	MC	MC				